



Douglas OA-4M Skyhawk

72018



Color Chart		Mr. COLOR	TAMIYA	Model Master	AMMO	REAL COLORS	HATAKA
FS36320 Dark Ghost Grey	A	C307	XF-19	4761	208	251	035
FS36375 Light Ghost Grey	B	C308		4762	203	252	037
FS36495 Light Grey	C	C338		4765	209	253	050
FS34095 Field Green	D	C340	XF-74	4724	230	209	059
FS36231 Dark Gull Gray	E	C317	XF-19	4755	205	247	044
Flat Black	F	C033	XF-1	4768	046	001	100
Burnt Metal	G	C061		4676	187		
Khaki	H	C055	XF-49	4708	071	033	064
FS 17875 Insignia White	I	C316	X-2	4693	047	222	049
Silver	J	C008	X-11	4678	195		003
Clear Blue	K	C050	X-23	4658	098	504	CC01
Clear Red	L	C047	X-27	4630	093	503	CC02
Insignia Red	M	C003	X-7	4714	121		219



APPLY DECAL
 APPLICARE DECALCOMANIE
 HIEAR ABZIEHBILD
 PONER CALCOMANIA
 KALKOMANIA
 APPLIQUER DECALCOMANIE
 POUŽIJTE OBTISK

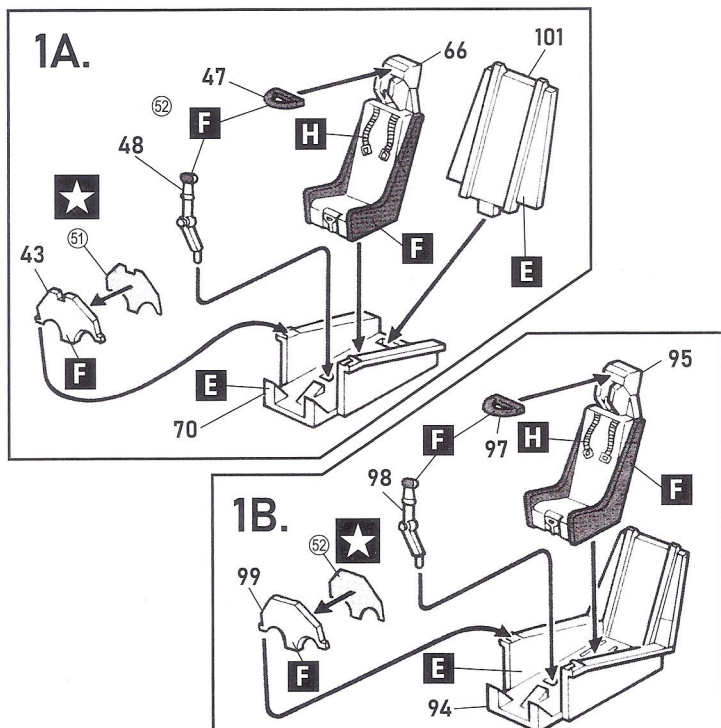


REMOVE
 RETIRER
 ENTFERNEN
 CORTAR
 WYCIĄĆ
 SEPARARE
 ODSTRANIT



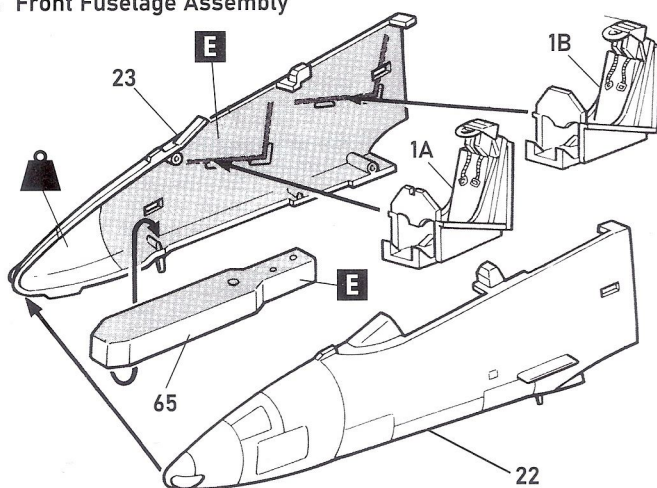
OPTION
 FACULTATIF
 NACH BELIEBEN
 HACER AQUJERO
 DO WYBORU
 FACOLTATIVO
 VOLBA

1. Cockpit Assembly

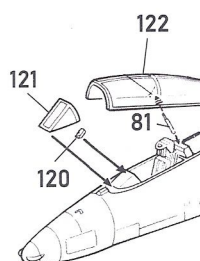


4. Main Wing

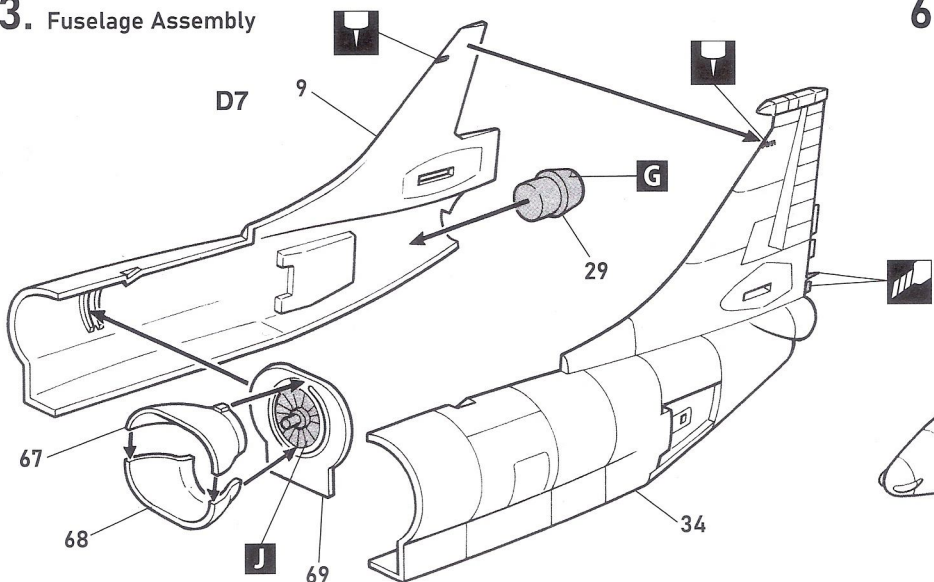
2. Front Fuselage Assembly



5. Canopy &



3. Fuselage Assembly



6.

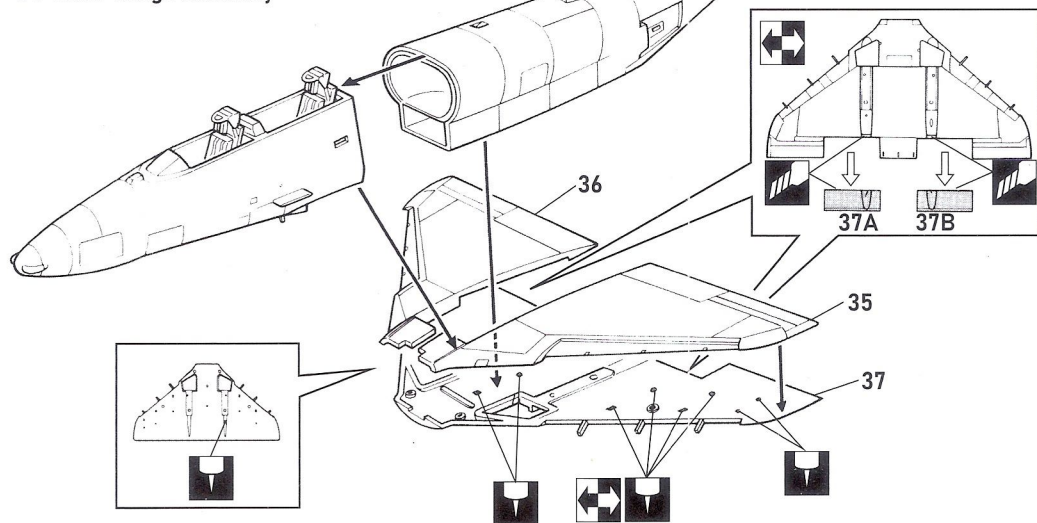
OPTION
 FACULTATIF
 NACH BELIEBEN
 HACER AQUJERO
 DO WYBORU
 FACOLTATIVO
 VOLBA



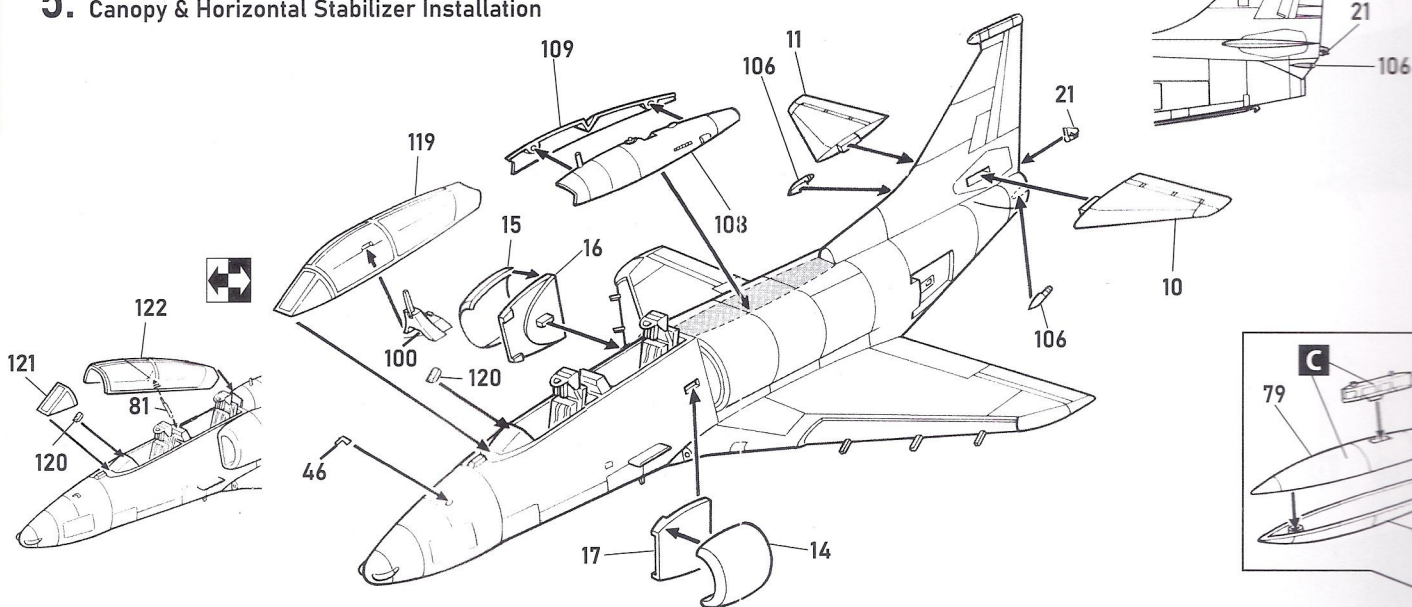
OPEN HOLE
 FORO APERTO
 OFFNEN
 HACER AQUJERO
 WYKONAĆ OTWÓR
 FAIRE UN TROU
 VYVRTAT OTVOR

7. Landing Gear Installation

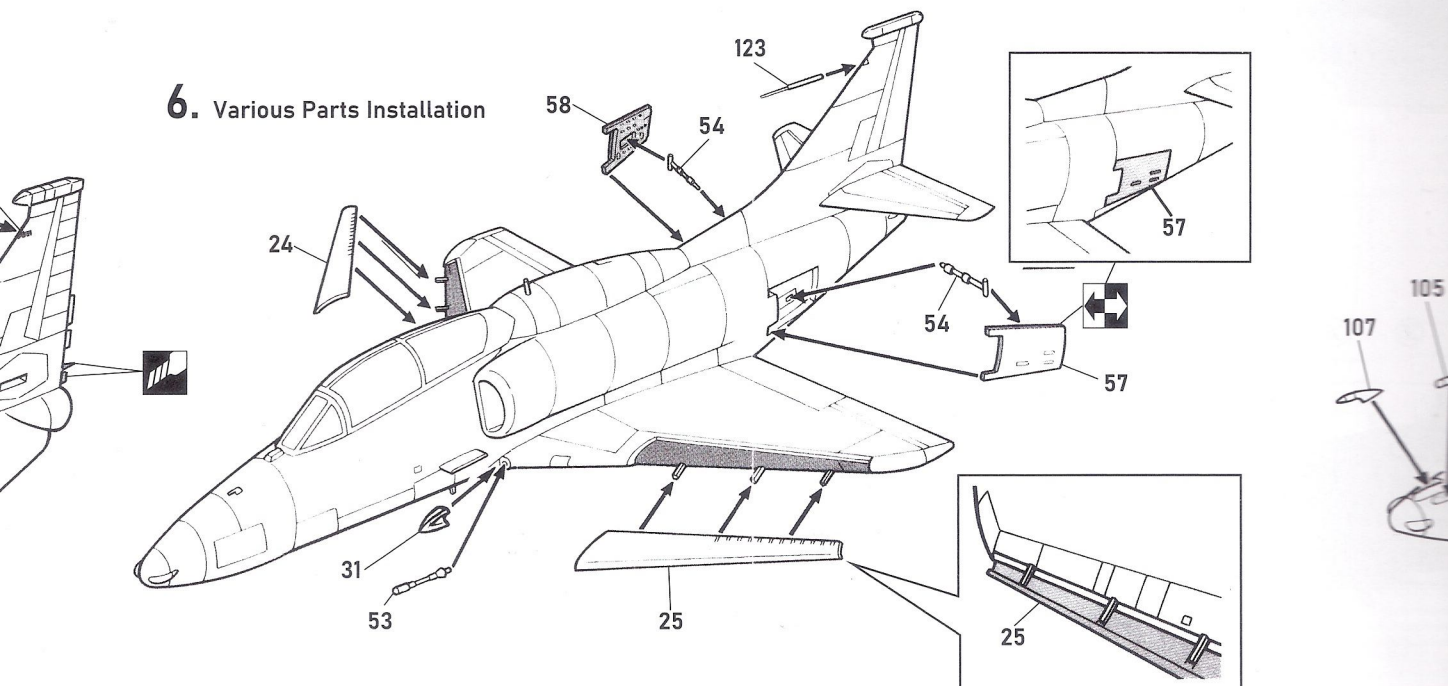
4. Main Wing Assembly



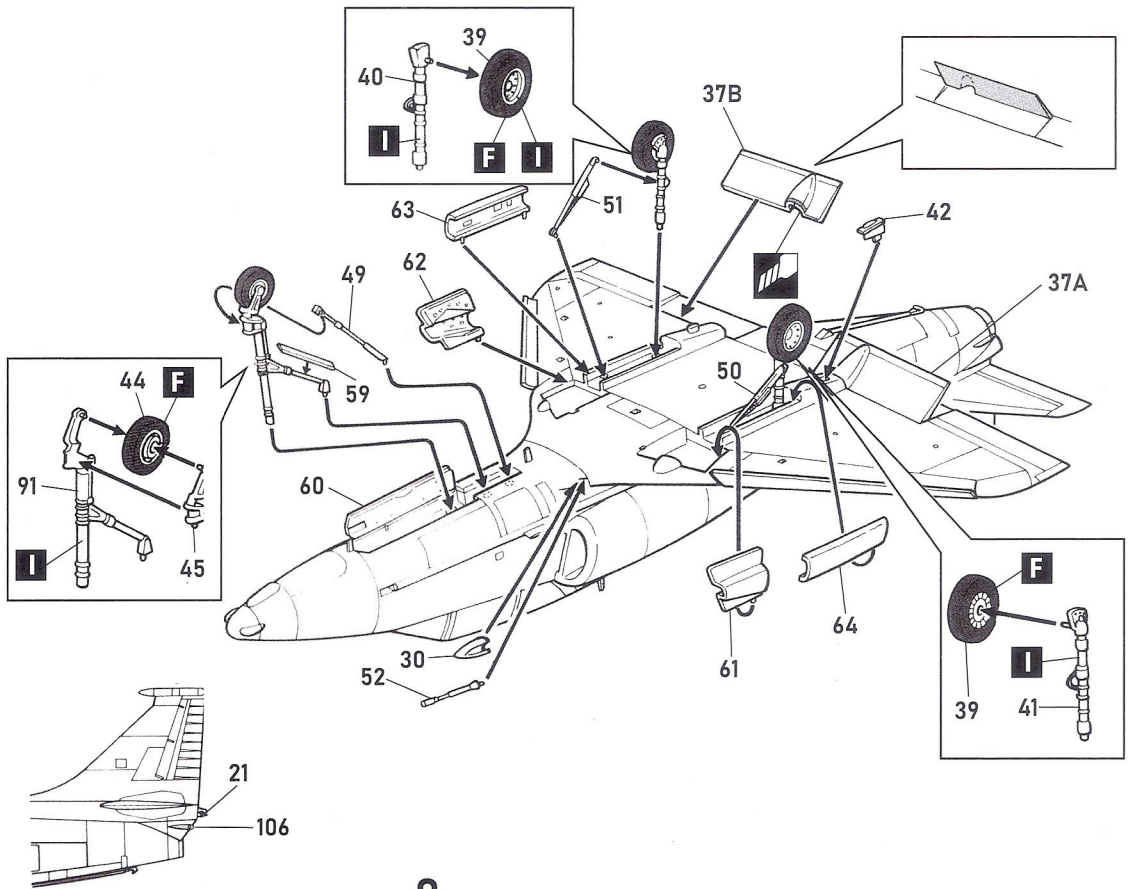
5. Canopy & Horizontal Stabilizer Installation



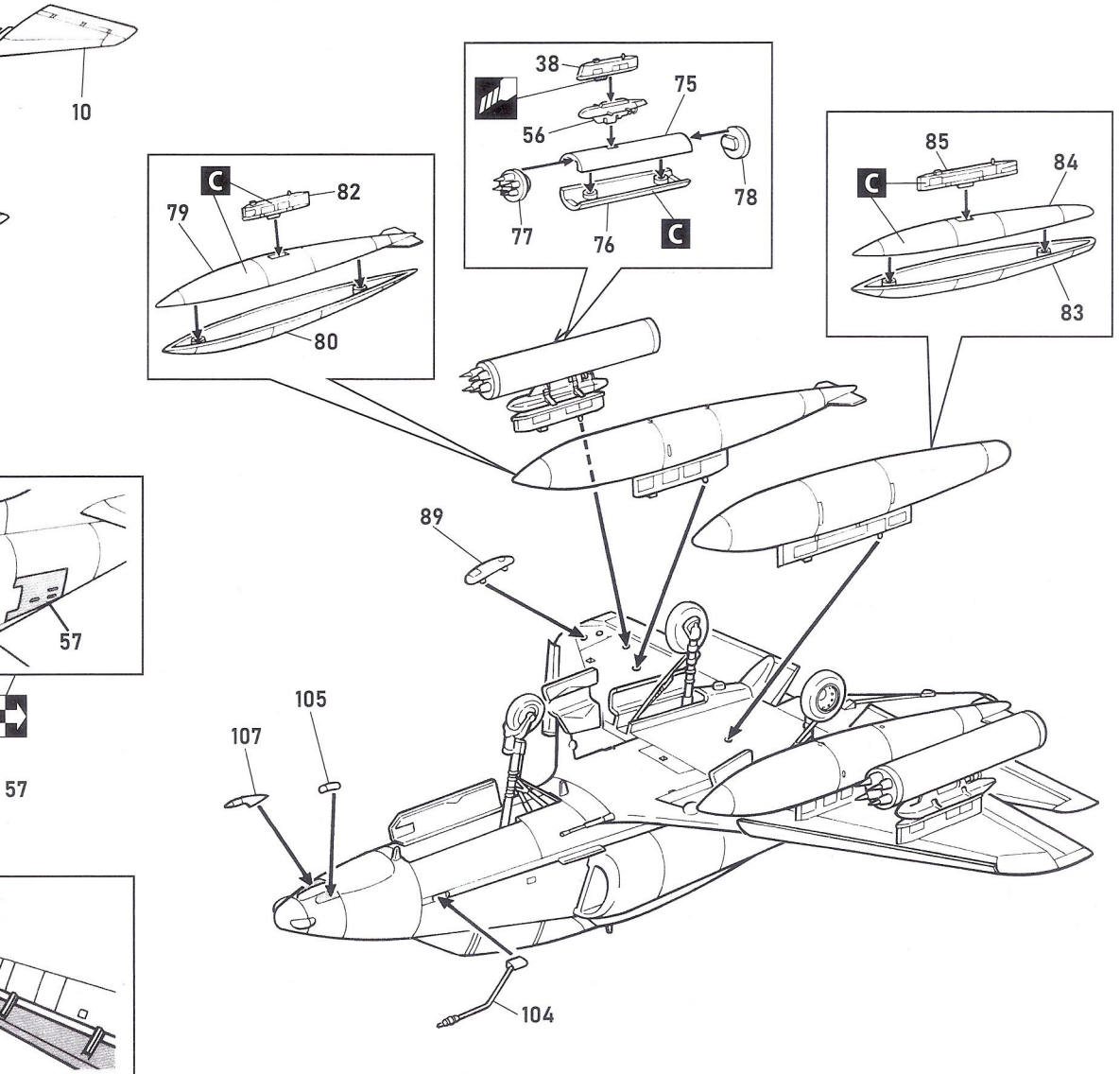
6. Various Parts Installation



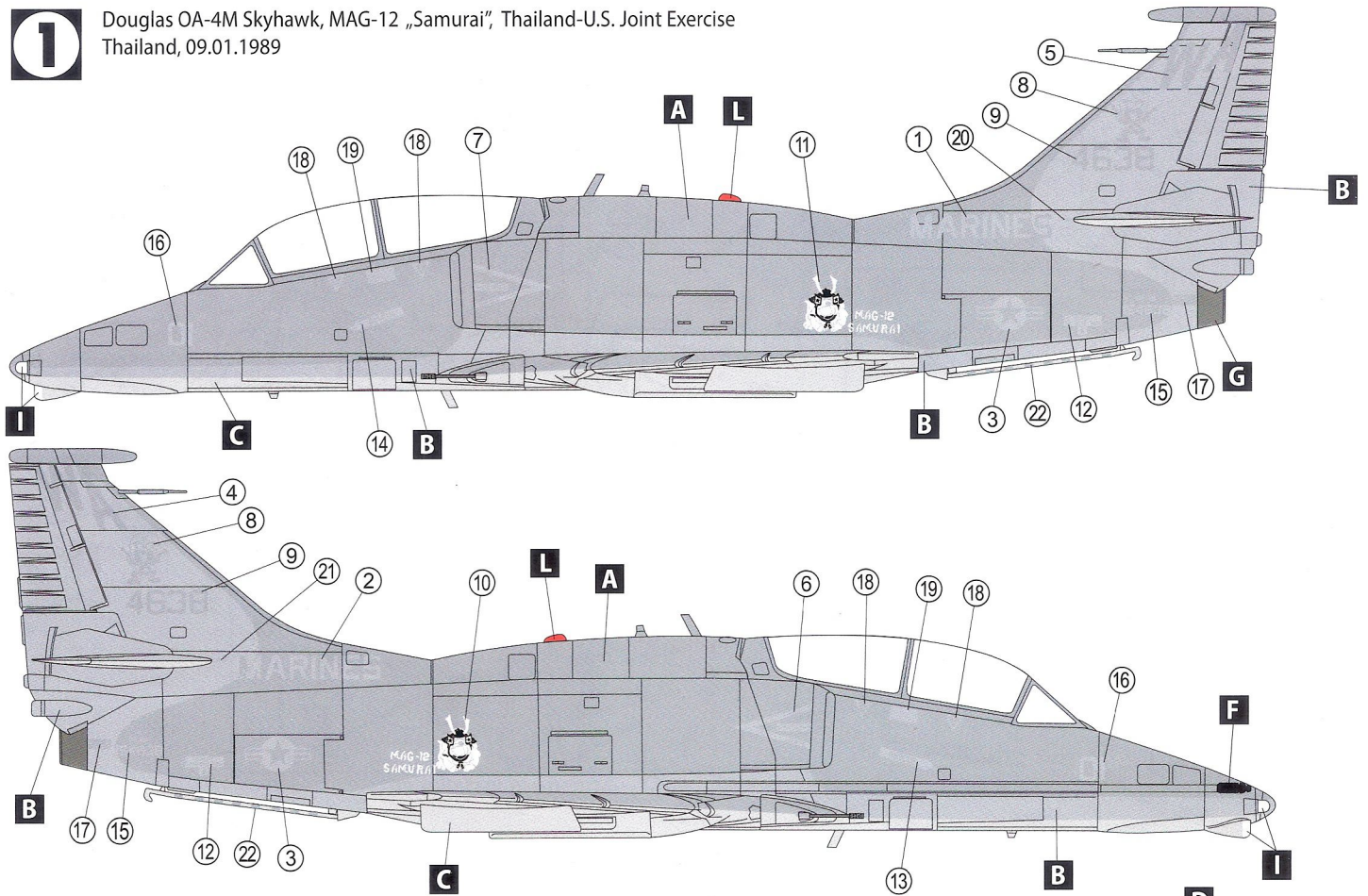
7. Landing Gear Installation



8. Armament Installation



1 Douglas OA-4M Skyhawk, MAG-12 „Samurai“, Thailand-U.S. Joint Exercise Thailand, 09.01.1989



2 Douglas OA-4M Skyhawk, H&MS-32 „Bandits“ 1987

