

PIRANHA SUPER SPY CAR

PHOTOETCH & DECAL SET



PARA GRAFIX™

ParaGrafix states that our use of the trademarked terms listed below in our product descriptions constitutes fair use and nominative use and is in no way to offer confusion that ParaGrafix and any of the following noted trademark holders are related companies, nor do we state that we are endorsed by these trademark holders. We are an AFTERMARKET company acting in GOOD FAITH in providing high quality products to loyal customers who have already purchased products related to these trademarks. ParaGrafix is actually providing these trademark holders a venue of free advertising and indirectly provide these trademark holders with more sales leads. AMT® is a registered trademark of Round 2 LLC.

INTRODUCTION

Thank you for purchasing ParaGrafix's photoetch and decal set for the classic Piranha spy car kit from AMT. Add updated or new details to this venerable kit.

This accessory set is intended for modelers of moderate experience who have used photoetched parts before.

MATERIALS

In addition to the photoetch, you will also need scissors or a knife* to remove individual pieces from the main fret, a file to remove material left from cutting, and super glue (aka CA or cyanoacrylate). Additionally, to fold some pieces, you will need a pair of razor blades** or a specialty tool such as PhotoFold from ParaGrafix (though most parts can be folded without the need for a specialty tool).

* We prefer a #17 Xacto chisel blade.

** Extreme care must be taken when using razor blades. Risk of serious injury.

RAISED DETAIL

Where applicable, these instructions note an area where the raised kit detail must be removed. This may be done in whatever way you are most comfortable: sanding, filing, chiseling. Note that in most cases the surface does not need to be perfectly smooth as the photoetched part will replace the "lost" kit detail.

LIGHTING OPTIONS

Unless otherwise noted, you can prep areas for lighting by removing plastic from areas where there are through holes in the photoetch. You can then backlight the photoetch. For best results, we suggest using Micro Kristal Klear from Microscale Industries (www.microscale.com) to fill the through holes.

INSTALLATION PARTS ORDER

The installation steps are not in any particular order. You can complete them as you see fit to complement your kit construction order.

KEY

Kit part (plastic):



Photoetched part:



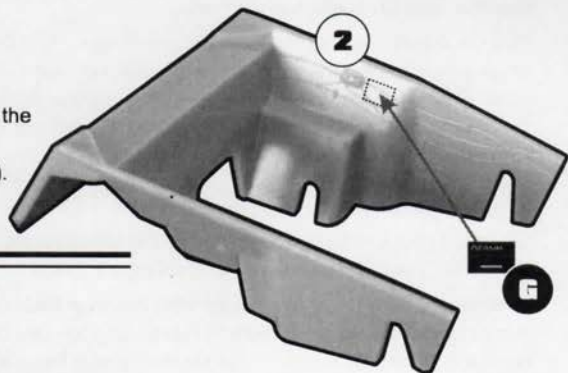
Decals:



CAR SERIAL NUMBER LABEL

KIT ASSEMBLY 2

TIP: Attach a small piece of plastic sheet (0.01 to 0.02 inch – 0.25 to 0.5 mm thick) in the location shown and place the decal on top of it. This will avoid having the molded in wiring distort the label. The plastic sheet should be 0.25 by 0.17 inch (6.3 by 4.3 mm).



PASSENGER COMPARTMENT

KIT ASSEMBLY 4

TIP: Remove the chrome plating from the center console (kit part 530) then assemble to part 22 as shown in the instructions.

DO NOT attach the kit's tachometer, speedometer, or gauges (536, 537, 510).

Remove the raised detail from the upper body (1), instrument panel (39) and center console (530 and 22).

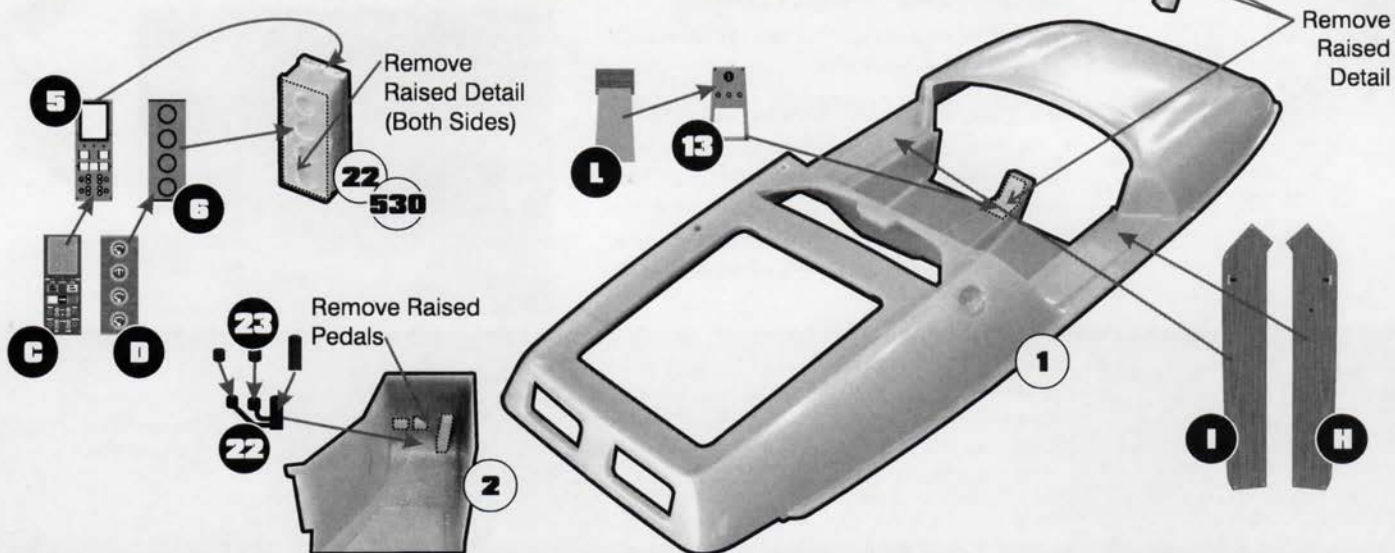
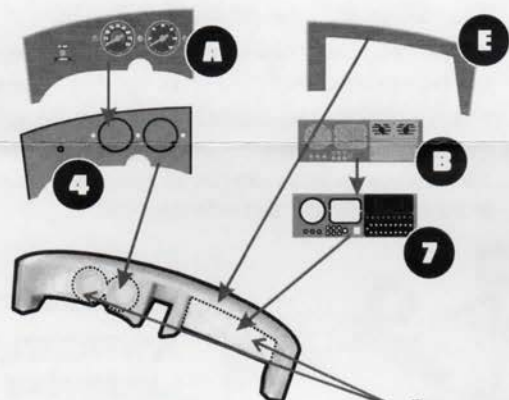
Prebend the main dash (etch part 4) and shifter cover (13) before attaching to the instrument panel (39) and upper body (1).

Attach photoetched parts, paint, then apply decals as shown. Decals E, J and L are designed to be trimmed for the best fit.

NOTE: Decal J is for the outside of the Instrument Panel Door (kit part 24, not shown).

Assemble as shown in the kit instructions.

PEDALS: Remove the raised pedals from the passenger compartment tub (kit part 2), then attach pedal pads (23) to the pedal assembly (22) and mount in their place.



ENGINE

KIT ASSEMBLY 5

A. ENGINE COVER

Remove the raised detail from the surface of the engine cover (37).

Fold the grill (etch part 1) tabs and insert into the opening in the engine cover. Grill should be flush to the outside of the cover.

Mount the engine cover plate (etch part 2) to the kit part.

Fold rain covers (etch parts 3) and attach to the cover plate – tabs on part 3 go into the slots in part 2.

B. EXHAUST COVERS

Add the exhaust covers (etch parts 21) to the exhaust tips (kit parts 509) installed in kit assembly 1.

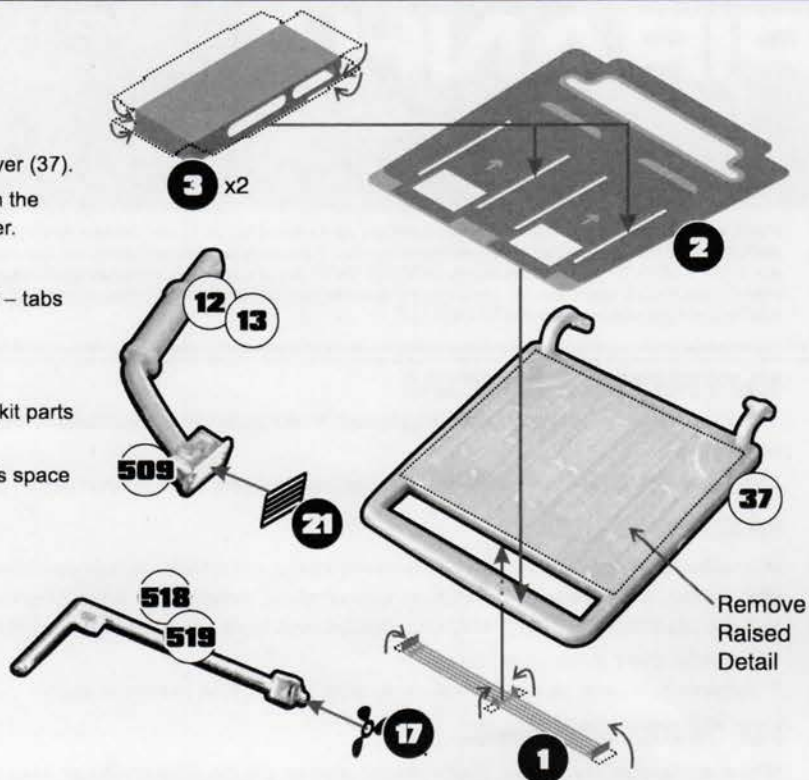
TIP: For added realism, hollow out parts 509 so that there is space behind the etch parts.

C. PROPELLERS

Replace kit parts 526 with the photoetched propellers, 17.

Twist the blades about 15° to add a realistic camber.

TIP: Add a drop of gap filling super glue at the center of the props to simulate the spinner.



ROOF & DOORS

KIT ASSEMBLY 5

A. DOORS

Remove the small, useless, hinge pins from the kit doors (32, 33), attach the inner door panels (29, 30) and mount the rocket launcher covers.

B. HINGES

TIP: Mark the centerline of the roof for easy location of the hinges.

Attach the windshield (300) to the roof (27) and, once dry, temporarily tape the doors in position to the roof.

Fold the 4 door hinges (etch parts 20) as shown – fold the center of each hinge before folding the sides. Attach to the roof hinge (10) by folding the hinge plates as shown. Glue this assembly in place on the roof so that the holes in the roof hinge line up with the center of the kit roof. Glue the door hinges to the doors.

C. MODIFY KIT PARTS

When the glue has fully set up, remove the tape and test fit the windows (301, 302), notching as necessary, then glue in place.

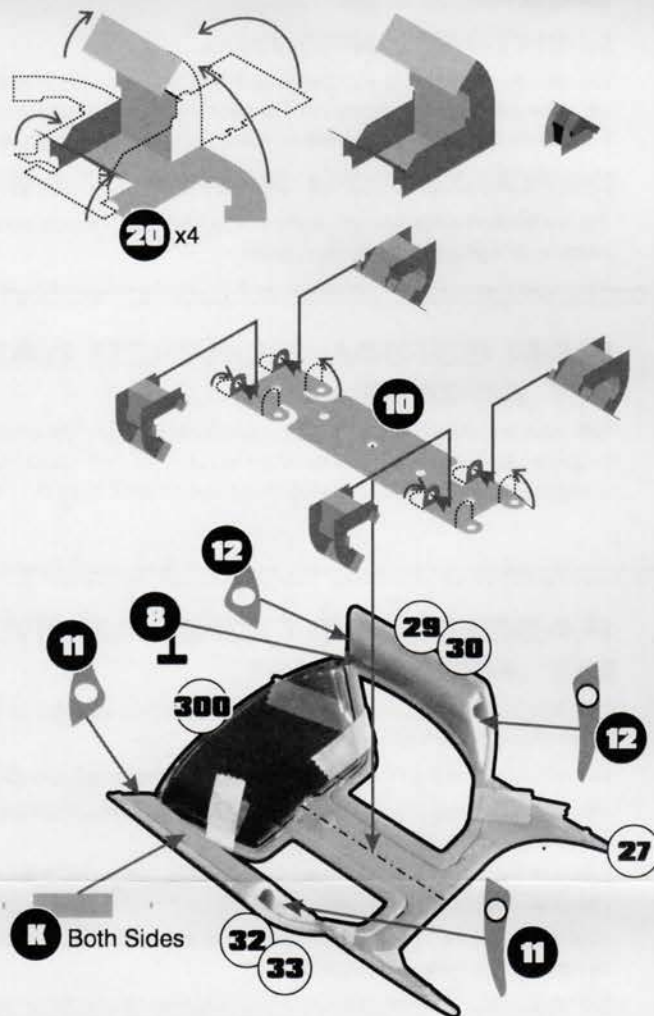
Remove the door hinge extensions from the laser beam unit. Test fit it and notch as necessary to allow the doors to open and close normally. Once this is complete, attach the lasers and glue the laser beam unit in place.

D. FINAL ASSEMBLY

Remove the raised "T-handle" detail from the kit inner doors (29, 30) and replace with the etched parts (8) so that they angle out from the kit part.

Attach rocket launcher covers (11 and 12) to the edges of the inner doors.

Fold rearview mirror mount (14) as shown and attach it and the mirror (9) to the center console. Add reflective decal, F.



ROOF & DOORS KIT ASSEMBLY 5

A. DOORS

Remove the small, useless, hinge pins from the kit doors (32, 33), attach the inner door panels (29, 30) and mount the rocket launcher covers.

B. HINGES

TIP: Mark the centerline of the roof for easy location of the hinges.

Attach the windshield (300) to the roof (27) and, once dry, temporarily tape the doors in position to the roof.

Fold the 4 door hinges (etch parts 20) as shown – fold the center of each hinge before folding the sides. Attach to the roof hinge (10) by folding the hinge plates as shown. Glue this assembly in place on the roof so that the holes in the roof hinge line up with the center of the kit roof. Glue the door hinges to the doors.

C. MODIFY KIT PARTS

When the glue has fully set up, remove the tape and test fit the windows (301, 302), notching as necessary, then glue in place.

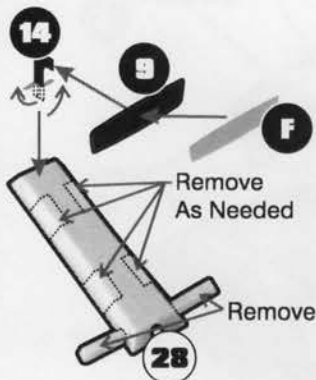
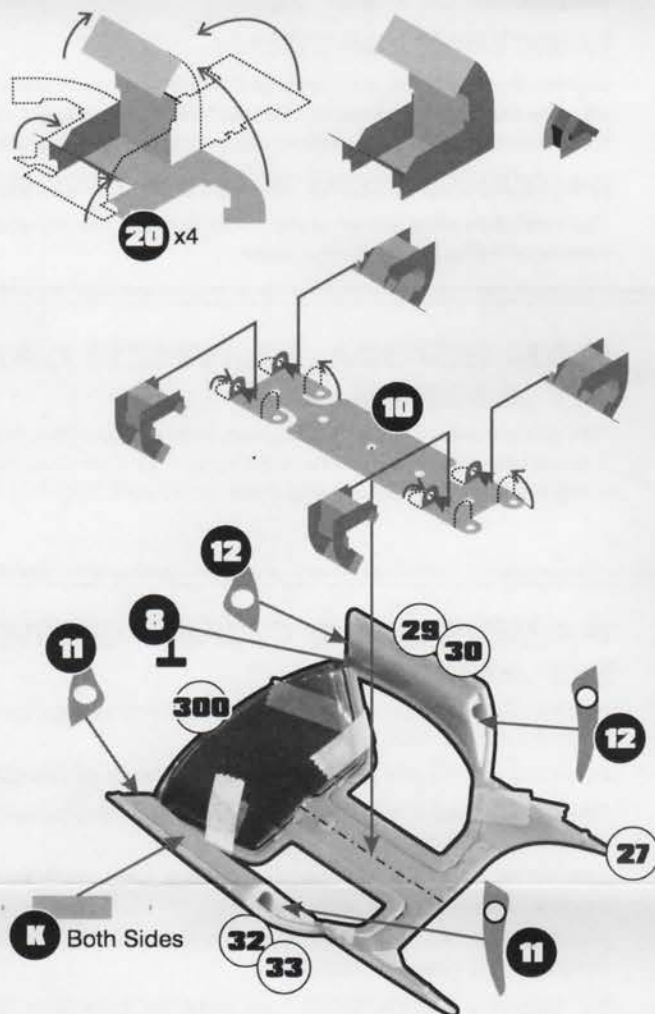
Remove the door hinge extensions from the laser beam unit. Test fit it and notch as necessary to allow the doors to open and close normally. Once this is complete, attach the lasers and glue the laser beam unit in place.

D. FINAL ASSEMBLY

Remove the raised "T-handle" detail from the kit inner doors (29, 30) and replace with the etched parts (8) so that they angle out from the kit part.

Attach rocket launcher covers (11 and 12) to the edges of the inner doors.

Fold rearview mirror mount (14) as shown and attach it and the mirror (9) to the center console. Add reflective decal, F.



MISCELLANEOUS LICENSE PLATES

Replace the kit plate with the etch (16) and decal (M) combination you prefer.

STREET LEGAL GEAR

In the show, the car did not have seat belts or windshield wipers – these were added later. Fold the wipers (15) and attach in the locations shown.

Fold the seat belt buckles (18). Make belts out of 1/8" (3mm) strips of paper, foil, adhesive tape, etc.



**PARA
GRAFIX™**

148 Rocklawn Ave.
Attleboro MA 02703 USA
+1 508-431-9800
www.ParaGrafix.biz

Thank you to Steve "CultTVman" Iverson for providing the Piranha kit used to develop this aftermarket set.

Thank you to Nick Whitlow for his help in researching the original car.