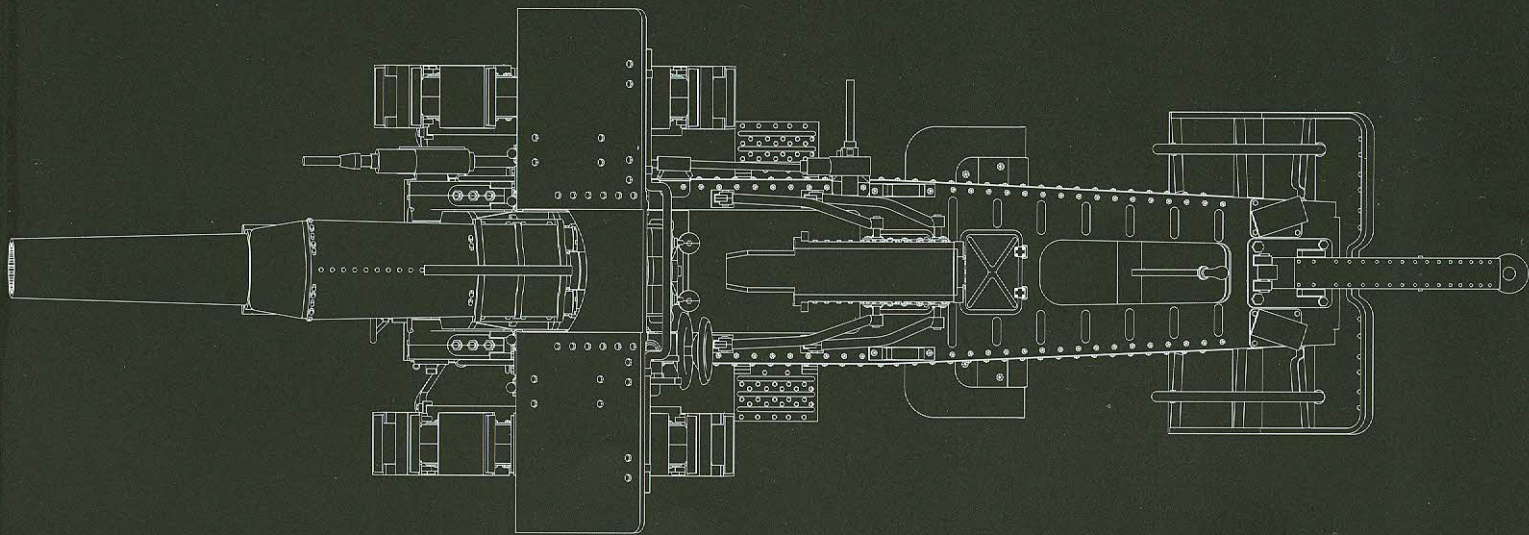


WWI/ WWII GERMAN

Krupp 21 cm Mörser 10/16



The 21 cm Mörser 16 (21 cm Mrs 16), or longer 21 cm Mörser, was a heavy howitzer used by Germany in World War I and World War II (although classified as a mortar (Mörser) by the German military).

The 21 cm Mörser 10 (21 cm Mrs 10) was a heavy howitzer used by Germany in World War I (although classified as a mortar (Mörser) by the German military).

03.02.2032

READ BEFORE ASSEMBLY

CAUTION

- Read carefully and fully understand the instructions before commencing assembly. A supervising adult should also read the instructions if a child assembles the model.
- When assembling this kit, tools including knives used. Extra care should be taken to avoid personal injury.
- Keep out of reach of small children. Children must not be allowed to suck any part, or pull vinyl bag over their heads.



Instant Glue
for Metal



Do Not
Cement



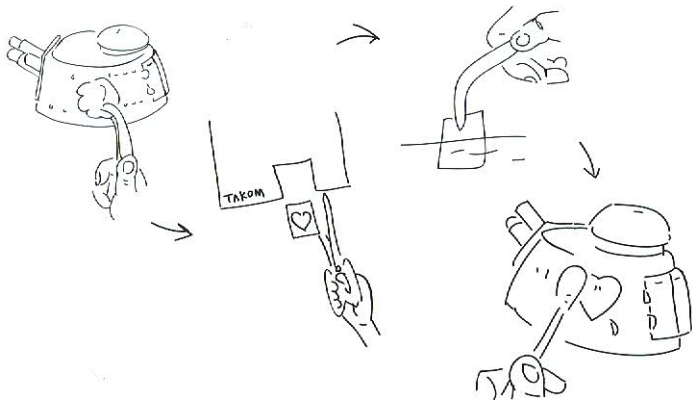
Be Careful

PAINTS REQUIRED

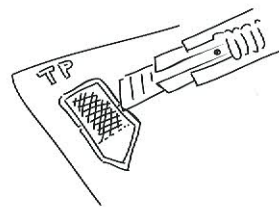
Color info and profiles by Mig Jimenez

APPLYING DECALS

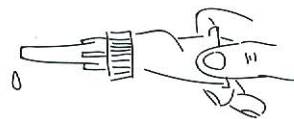
1. Clean the model surface with a wet cloth.
2. Cut out each decal design from sheet, and dip it in tepid water for 15-20 sec.
3. Hold the backing sheet edge and slide decal onto the model.
4. Move decal into position by wetting decal with finger.
5. Press decal gently down with a soft cloth until excess water and air bubbles are gone.



REMOVING PE



Be careful not to hurt when removing PE parts.

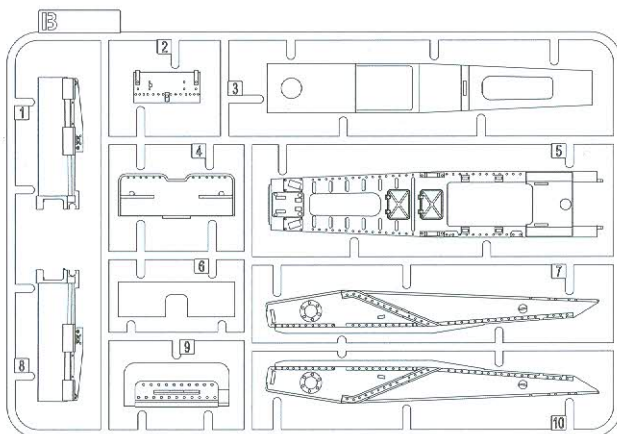
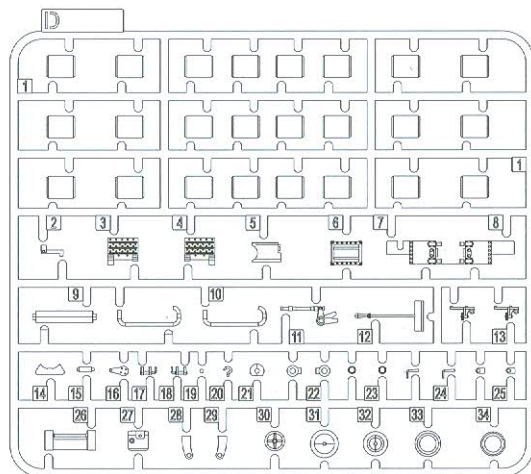
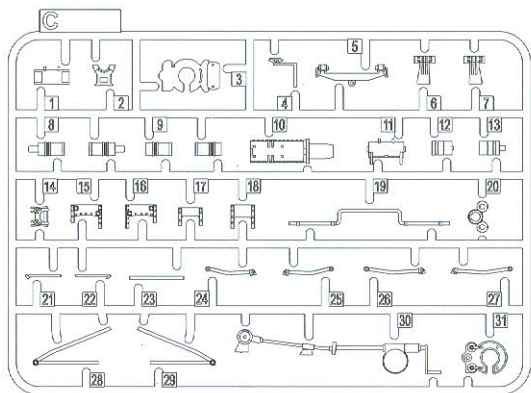
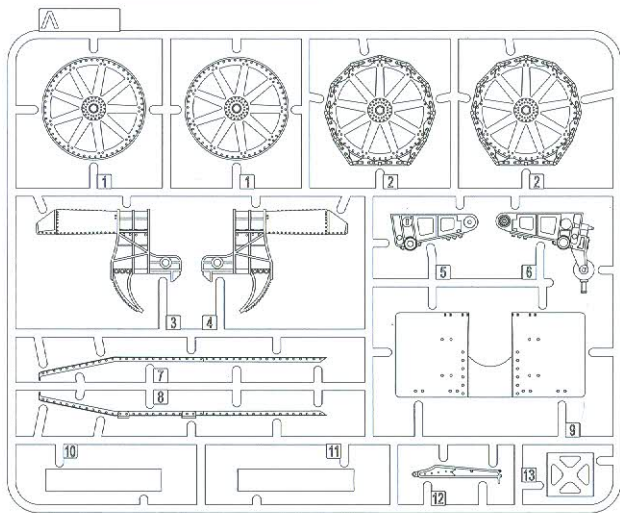


Secure using instant glue (not included).



Finish using file.

PARTS



Decal

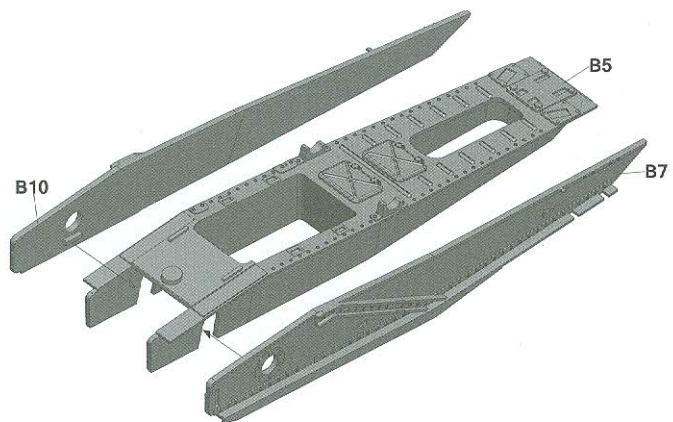


PE

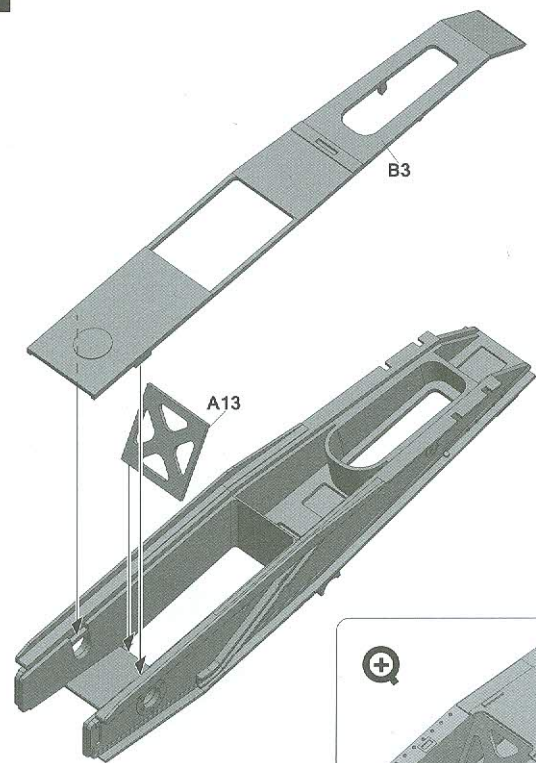
Poly cap

⊙
X4

1



2



3

