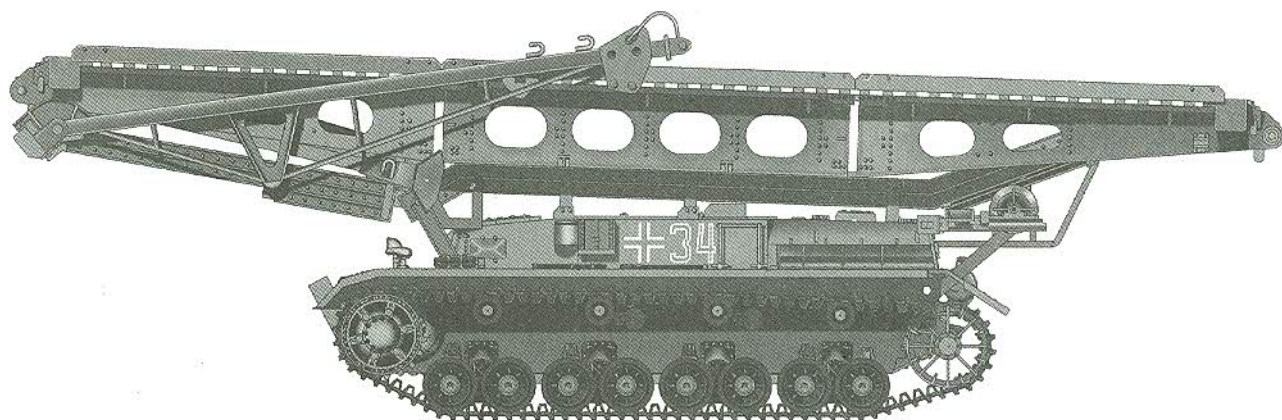


German Brückenleger IV b

德国IV号架桥战车



READ BEFORE ASSEMBLY:

- This kit is not recommended for inexperienced modelers or for children under 14 years of age
- Study and understand these instructions thoroughly before beginning assembly
- When needed, remove photo-etch parts carefully using a modeling knife or photo etch sprue cutter, being careful not to damage or lose small parts.
- Take extra care in handling photo etch parts in order to avoid injury
- Apply instant cement sparingly to photo etch parts where instructed
- Tools recommended(not included in kit):Plastic and instant cements,sprue cutters,long nose pliers, modeling knife, small files, tweezers, pin vise & scissors. Soft cloth and sandpaper will also assist in construction
- Glue and paint are not included in the kit. Use plastic cement and hobby paints only. Color guide for purchasing paint is included in the kit.
- Keep out of reach of children. They must not be allowed to ingest small parts or handle plastic bags in any way.

装配之前仔细阅读

- 小心用模型锉刀锉平所有零件表面的注射浇口。
- 小心用刀片切下蚀刻片零件，不要遗失小零件。
- 用强力快干胶水粘合蚀刻片零件和金属轴。过量的快干胶水使用可能导致可动零件会粘住，小心涂胶。
- 取蚀刻片时应特别注意安全，防止利边划伤手指。
- 某些零件表面需贴上水贴纸，请选择在装配的同时进行。
- 推荐模型工具(自备)：胶水，水口剪刀，长咀钳，刀片，锉刀，镊子，钳，钻，剪刀，瞬间快干胶。
- 软布同砂纸同时也应该是必备工具。
- 请使用塑料胶水和油漆，模型内不含。
- 谨防小孩吸吮塑料零件，或者将塑料袋套在头上，制作时应将套材远离小孩接触。
- 本产品不适合14岁以下没有经验的模型爱好者。

贴纸
Decal锉平
File / Sand选择
Option不涂胶水
No cement弯曲
Bend使用强力胶
Cyanoacrylate glue配重
Weight钻孔
Make hole切除
Cut / Remove

水贴纸的使用:

1. 从水贴上剪下印花;
2. 将印花放入温水中浸10秒, 然后放在干净布上。
3. 拿着印花纸板将印花移到模型上;
4. 手指蘸水将印花移到适当的位置;
5. 用软布轻压印花直至水干, 汽泡消失。

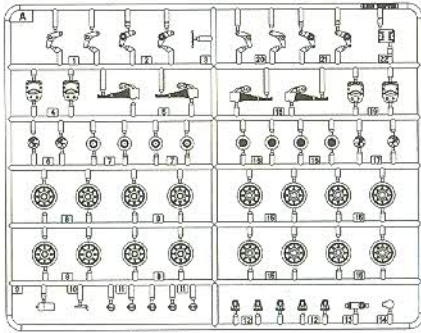
DECAL APPLICATION

1. Cut off decal from sheet.
2. Dip the decal in tepid water 40°C for about 10 sec. and place on a clean cloth.
3. Hold the backing sheet edge and slide decal onto the model.
4. Move decal into position by wetting decal with finger.
5. Press decal gently down with a soft cloth until excess water and air bubbles are gone.
6. Allow decal to dry completely before handling model.

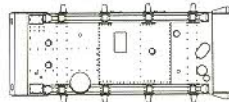
部品图

Parts

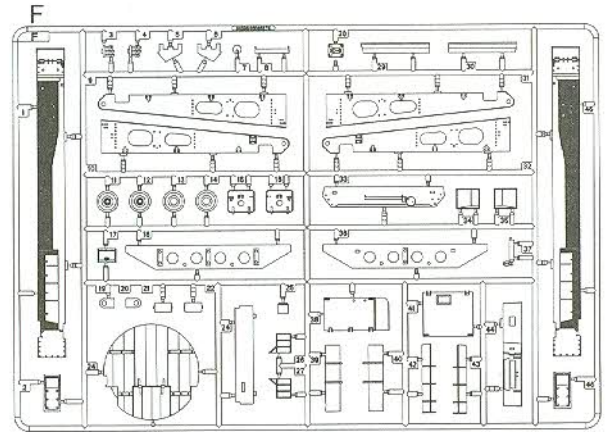
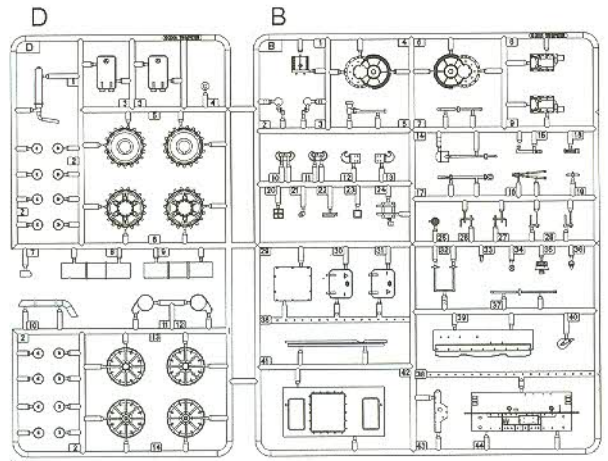
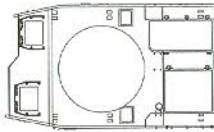
AX2



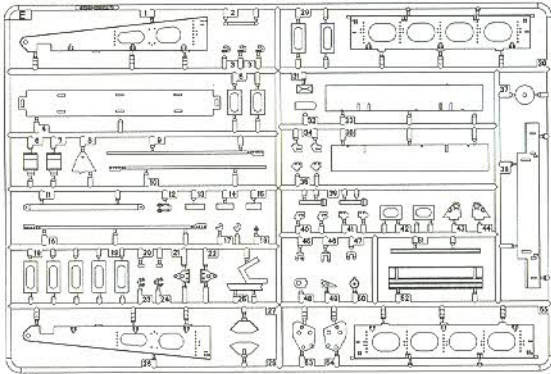
<<车底>>
Lower hull



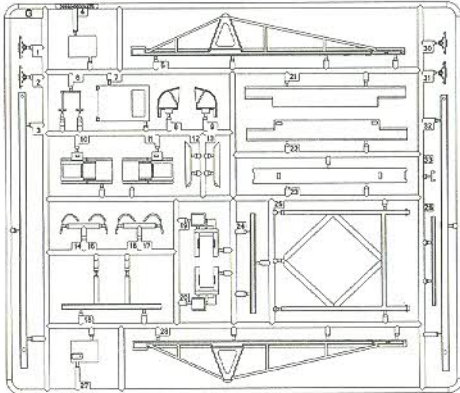
<<车面>>
Upper hull



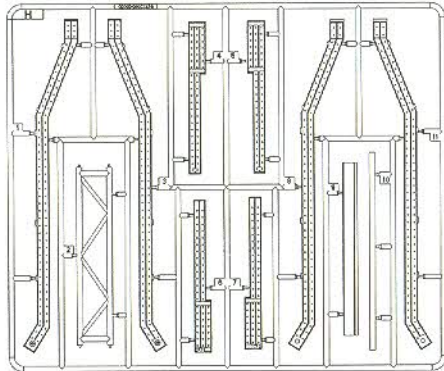
EX2



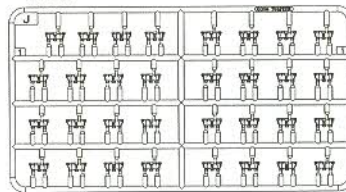
G



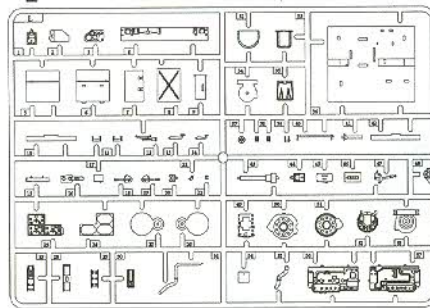
H



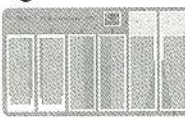
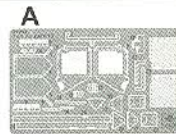
JX8



L



<<蚀刻片>>
Photo Etched Parts



Bridge A



Bridge B



Bridge C



<<水贴>>
Decal



<<履带>>
Track



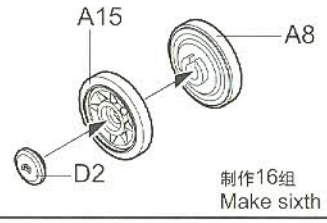
<<弹簧X4>>
Spring X4

<<铜钉>> X6
Tack X6

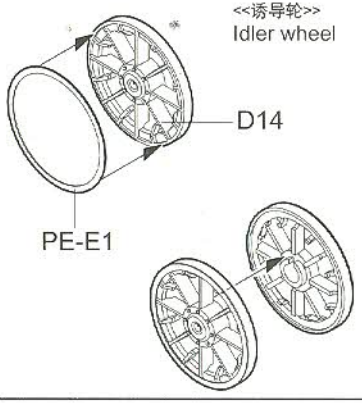
<<棉绳>> \varnothing 0.8*100cm
Rope \varnothing 0.8*100cm

1 车轮组装
Wheels

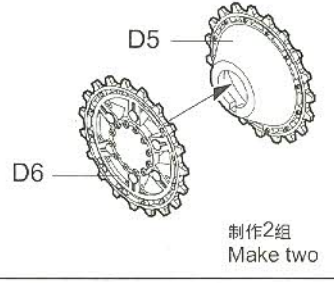
<<负重轮>>
Road wheel



<<诱导轮>>
Idler wheel

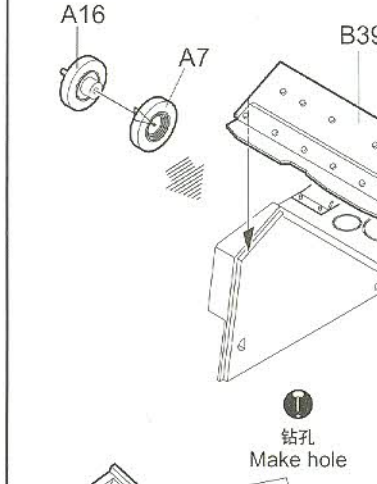


<<驱动轮>>
Driver sprocket



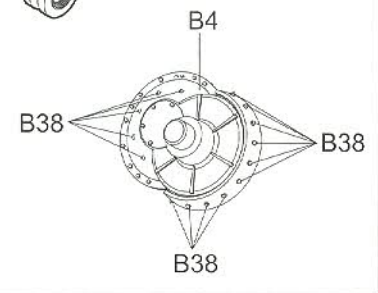
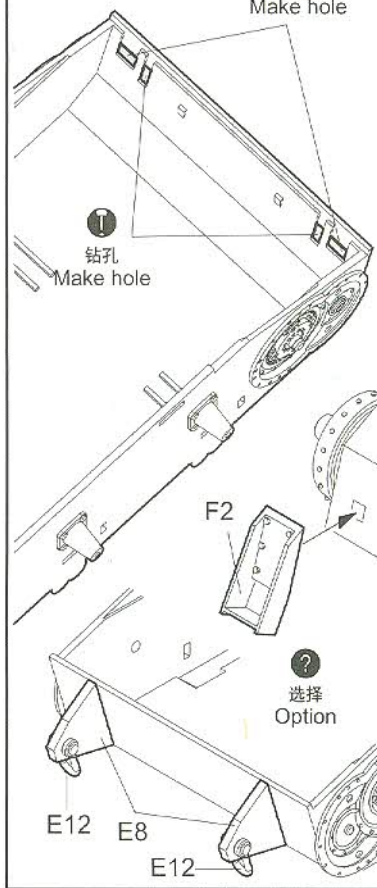
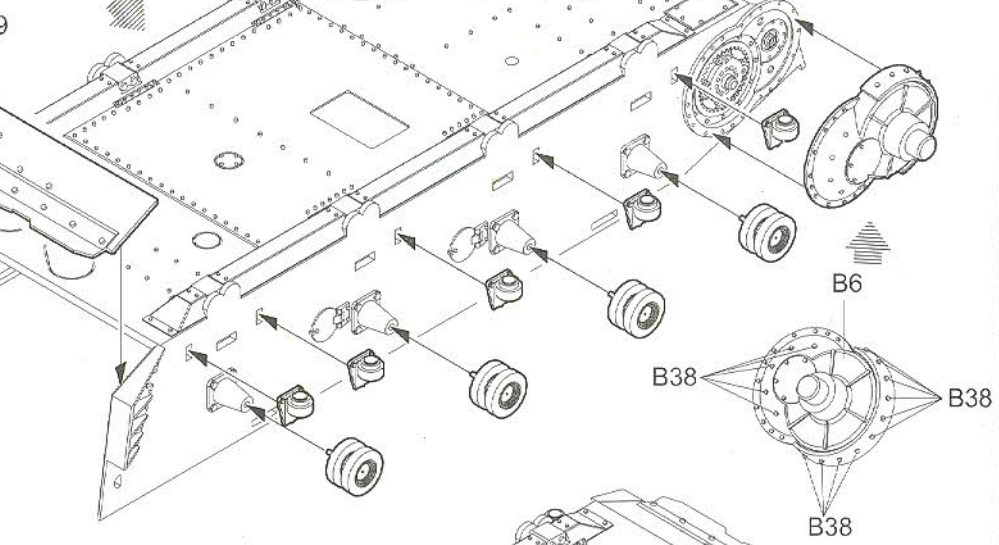
2 车底组装
Lower hull

制作8组
Make twelve

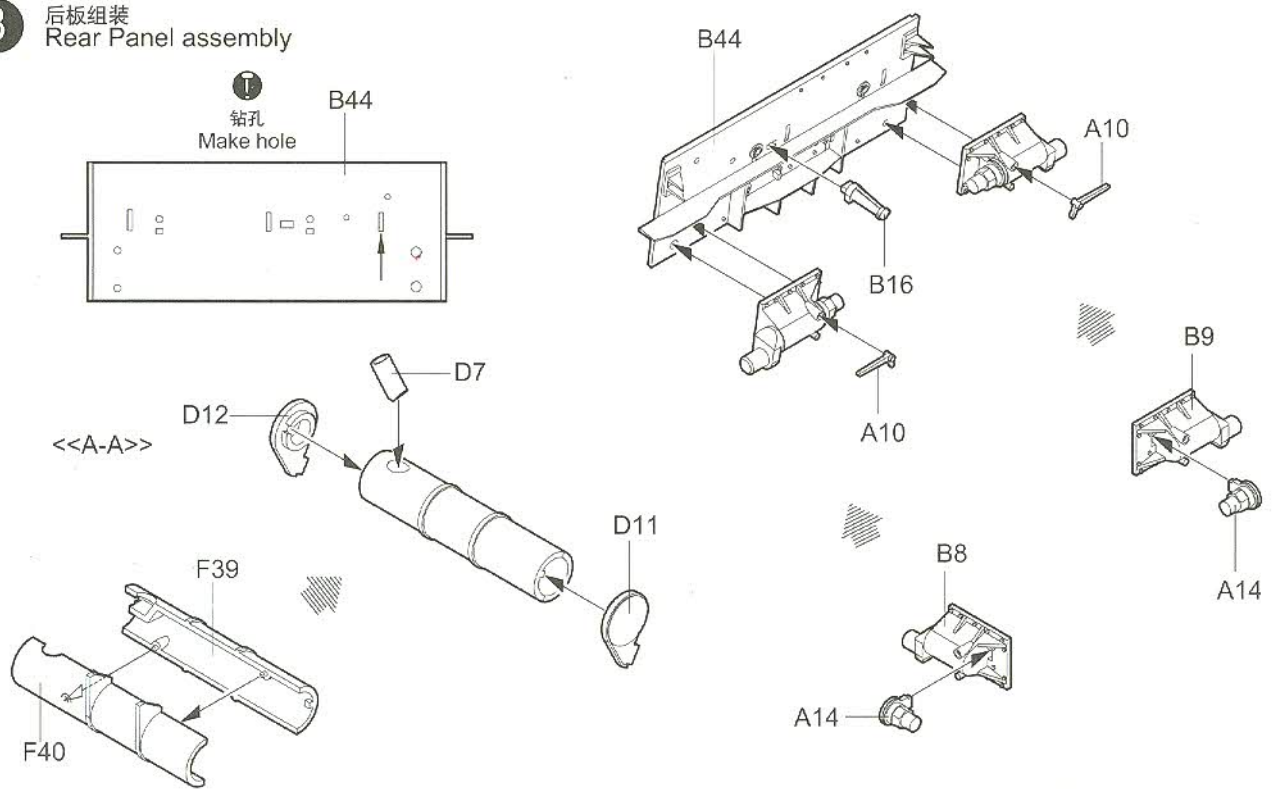


A11 制作10组
Make ten

A12



3 后板组装
Rear Panel assembly



4 悬臂安装
Suspension arms

