

eduard

VŠB Kuňkadlo

1/72

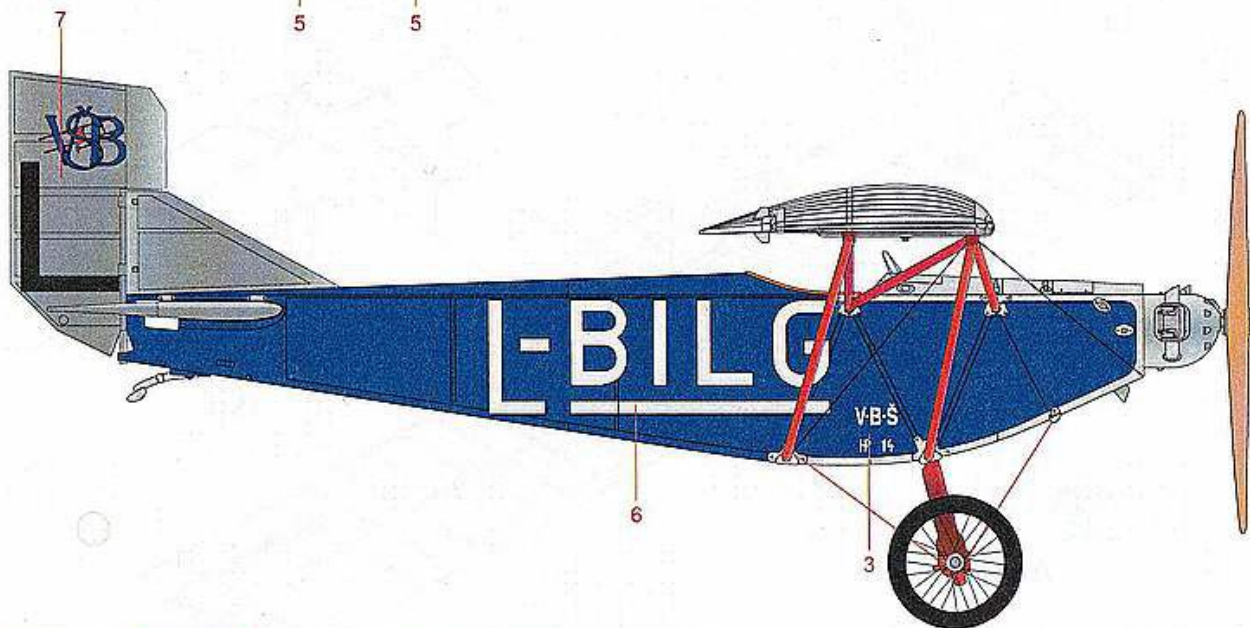
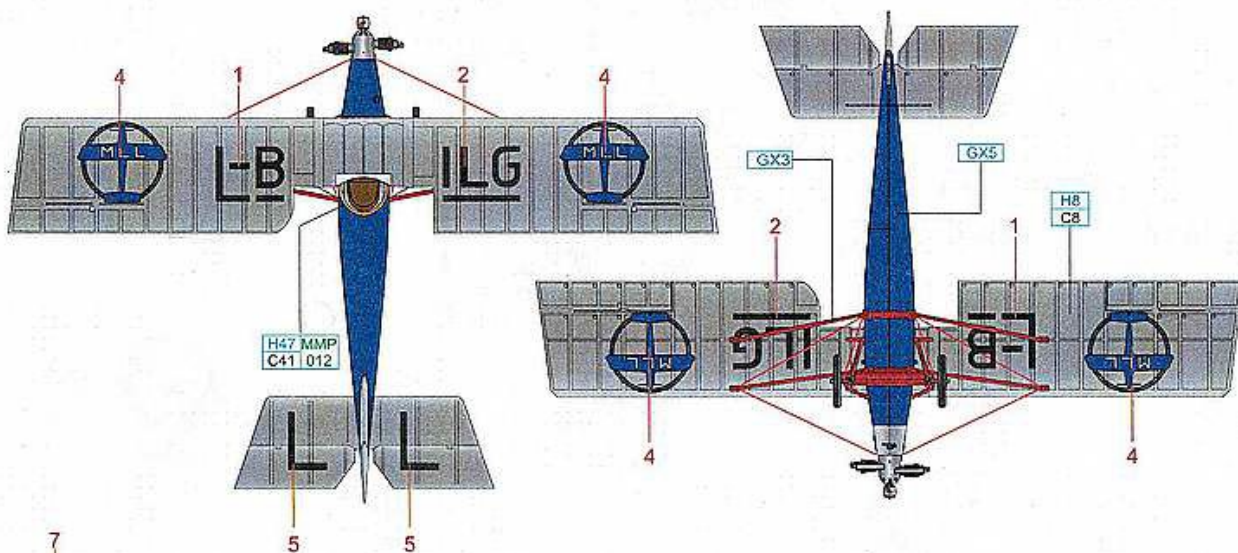
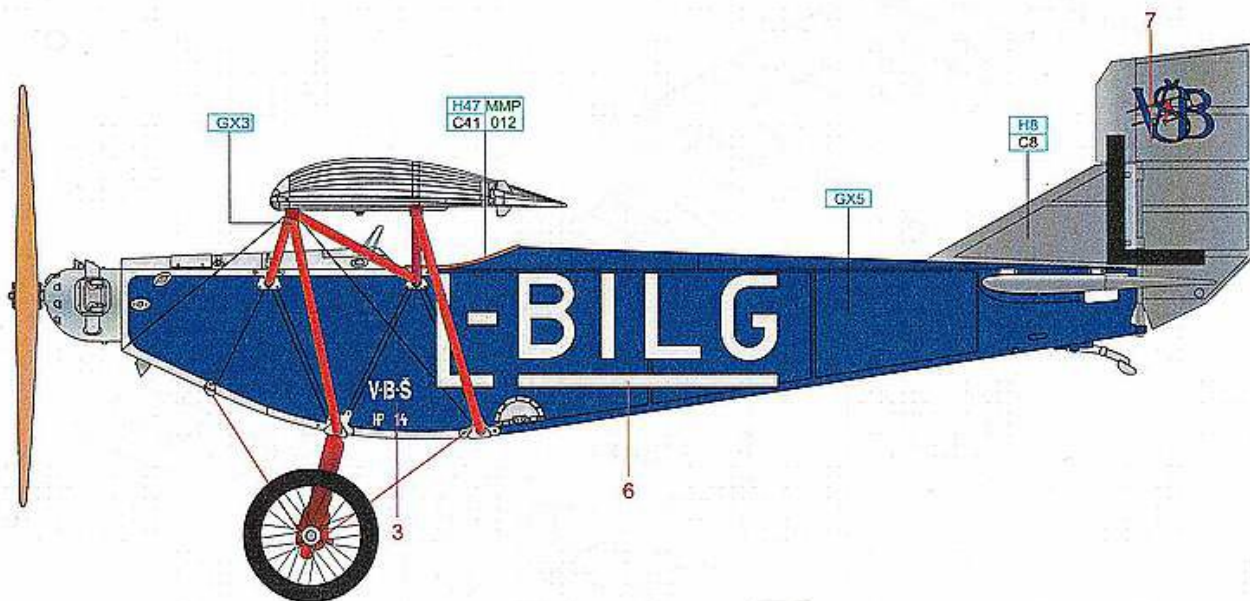


2020

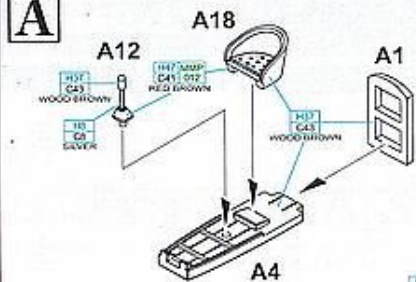
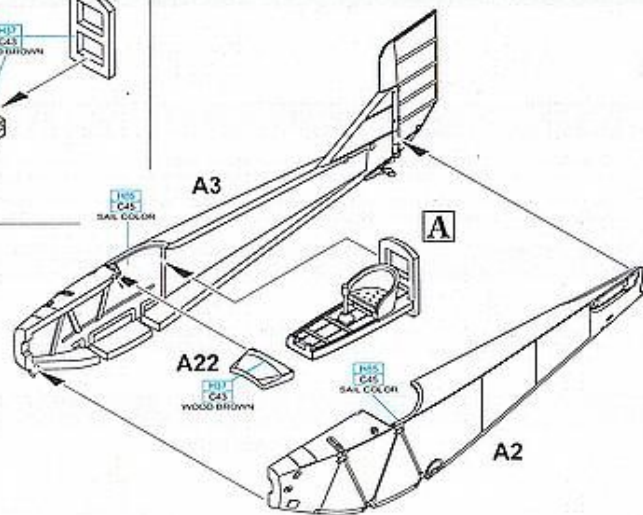
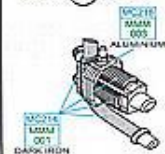
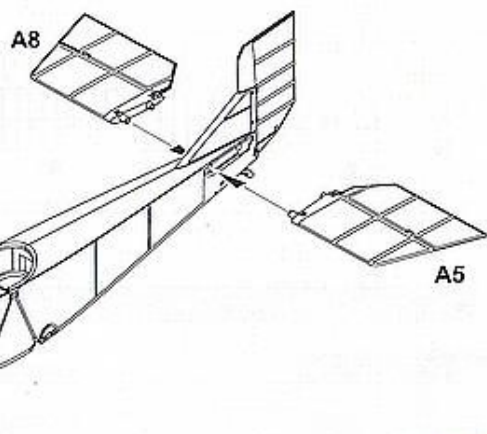
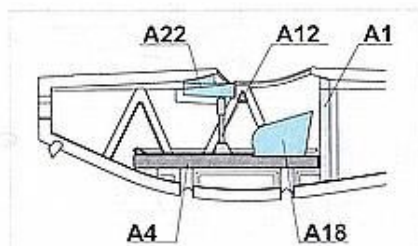
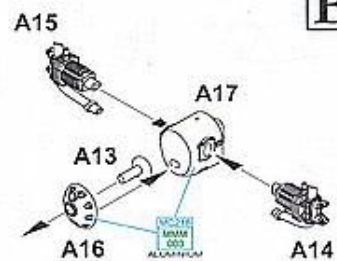
SPIELWARENMESSE EDITION



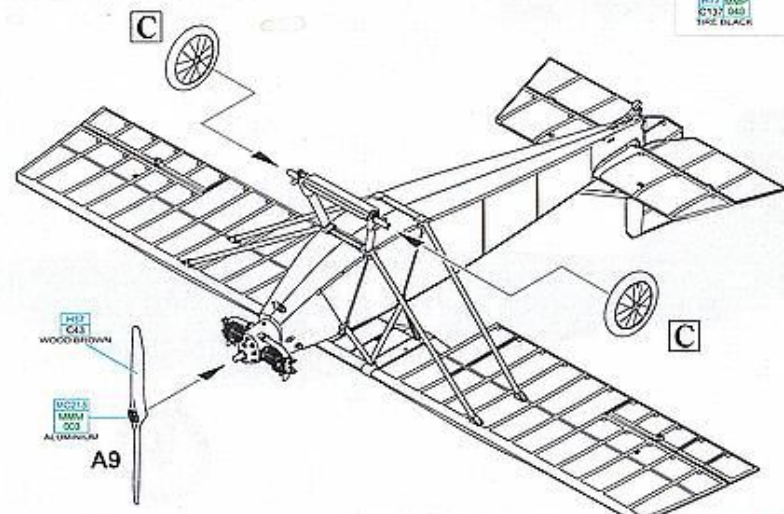
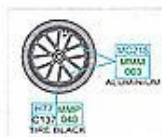
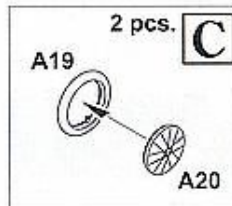
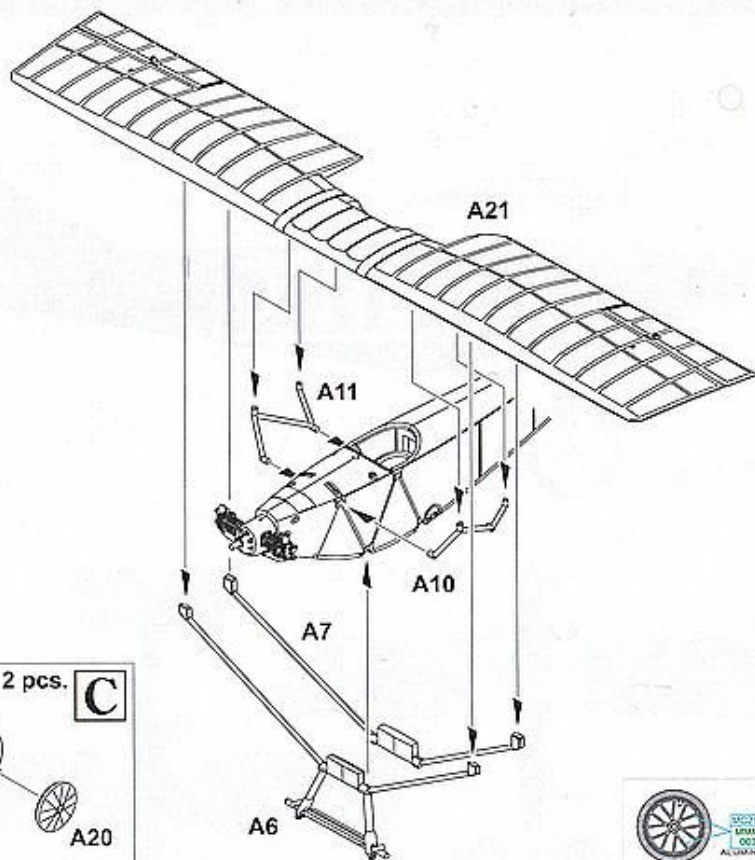
VBŠ Kuňkadlo, NTM Prague, Czechoslovakia, 1945 - 2020



BLUE	GX5	RED	GX3	SILVER	H8 C8	RED BROWN	H47 MMP C41 012
------	-----	-----	-----	--------	-------	-----------	-----------------

A**A15** → **A14****B****B**

eduard

**C**

eduard

1 L-B 2 ILG 1 L-B 2 ILG

3

3



7



4

4



4

4



6



7

