

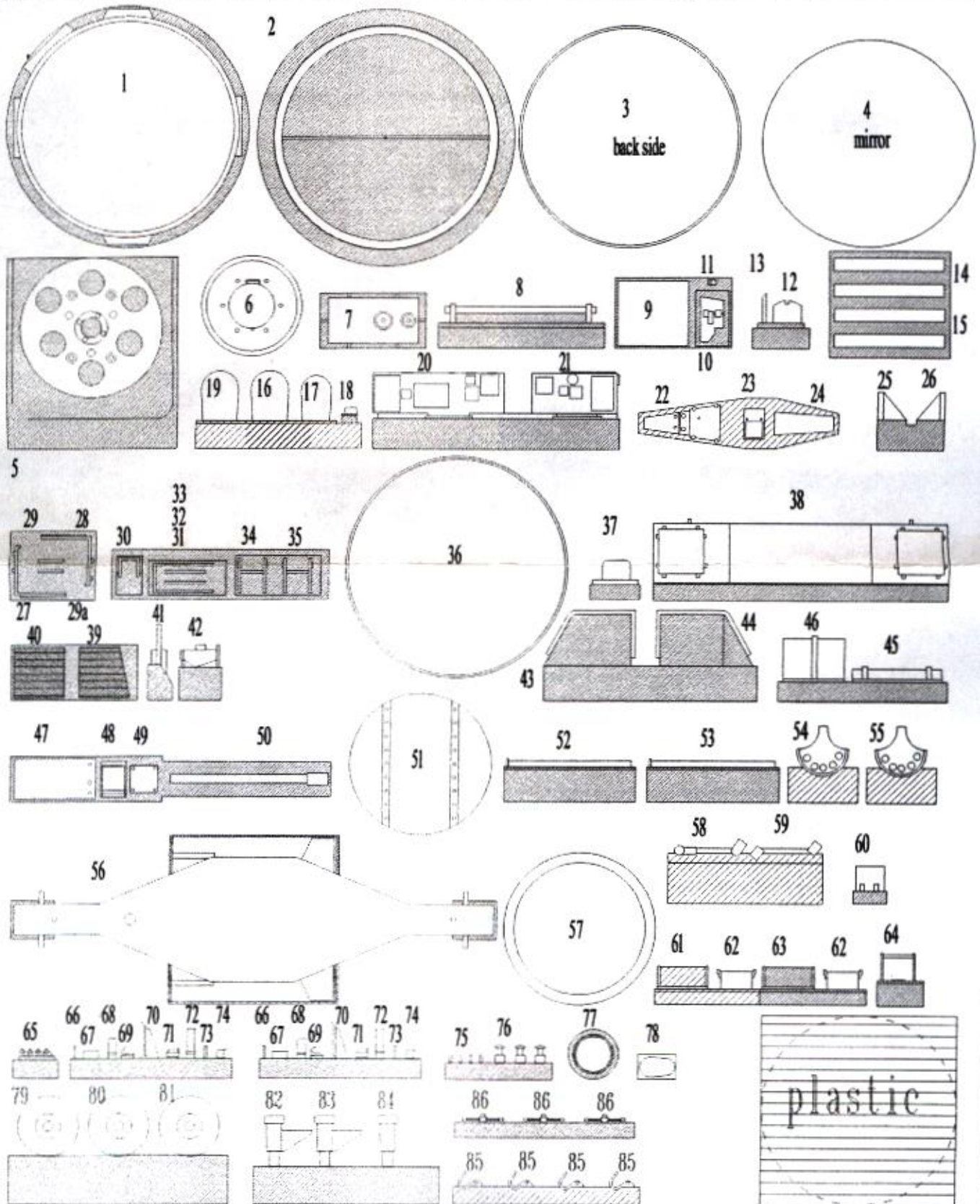
SCHEINWERFER
SEARCH LIGHT

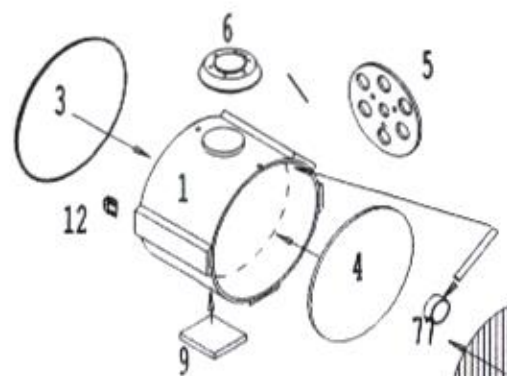
PRECISION
models

ref. 35.057.B

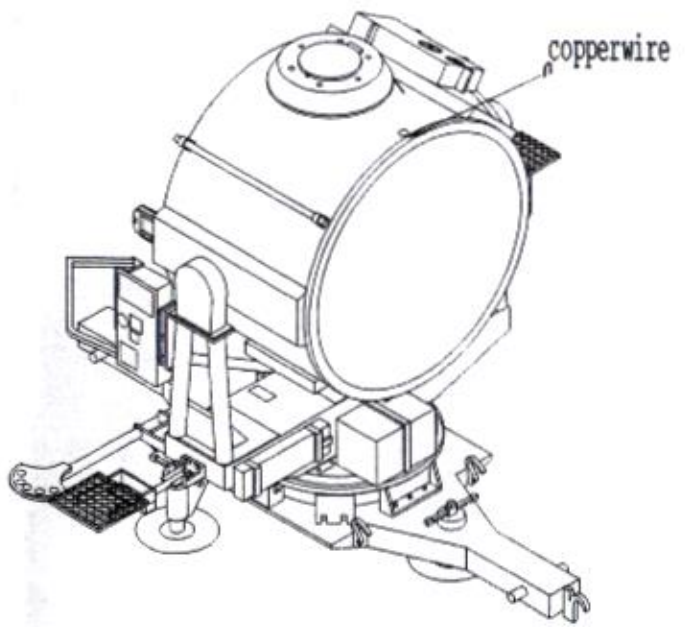
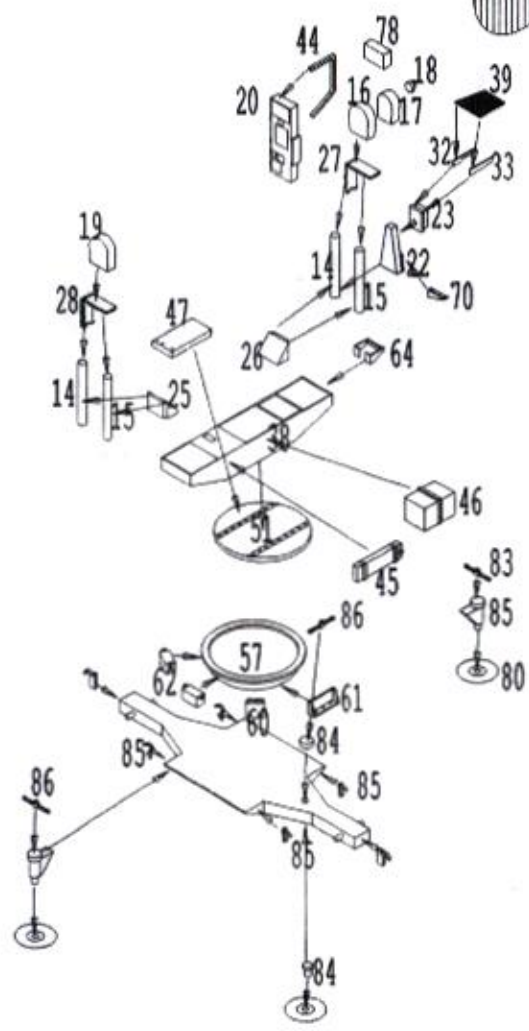
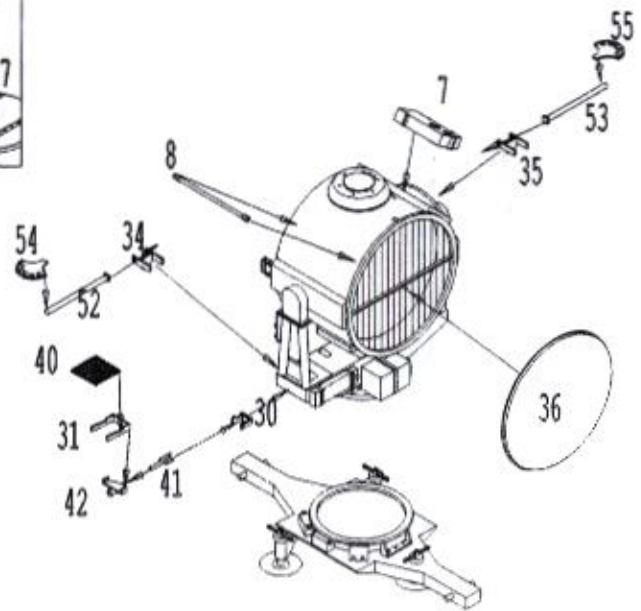
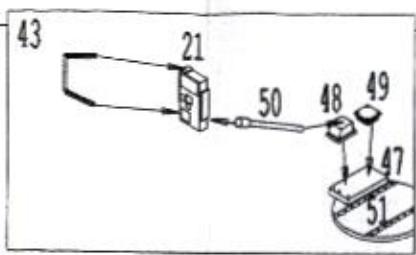
PARTS

© Made in Belgium





P1 (make a carving every 1.6 mm)



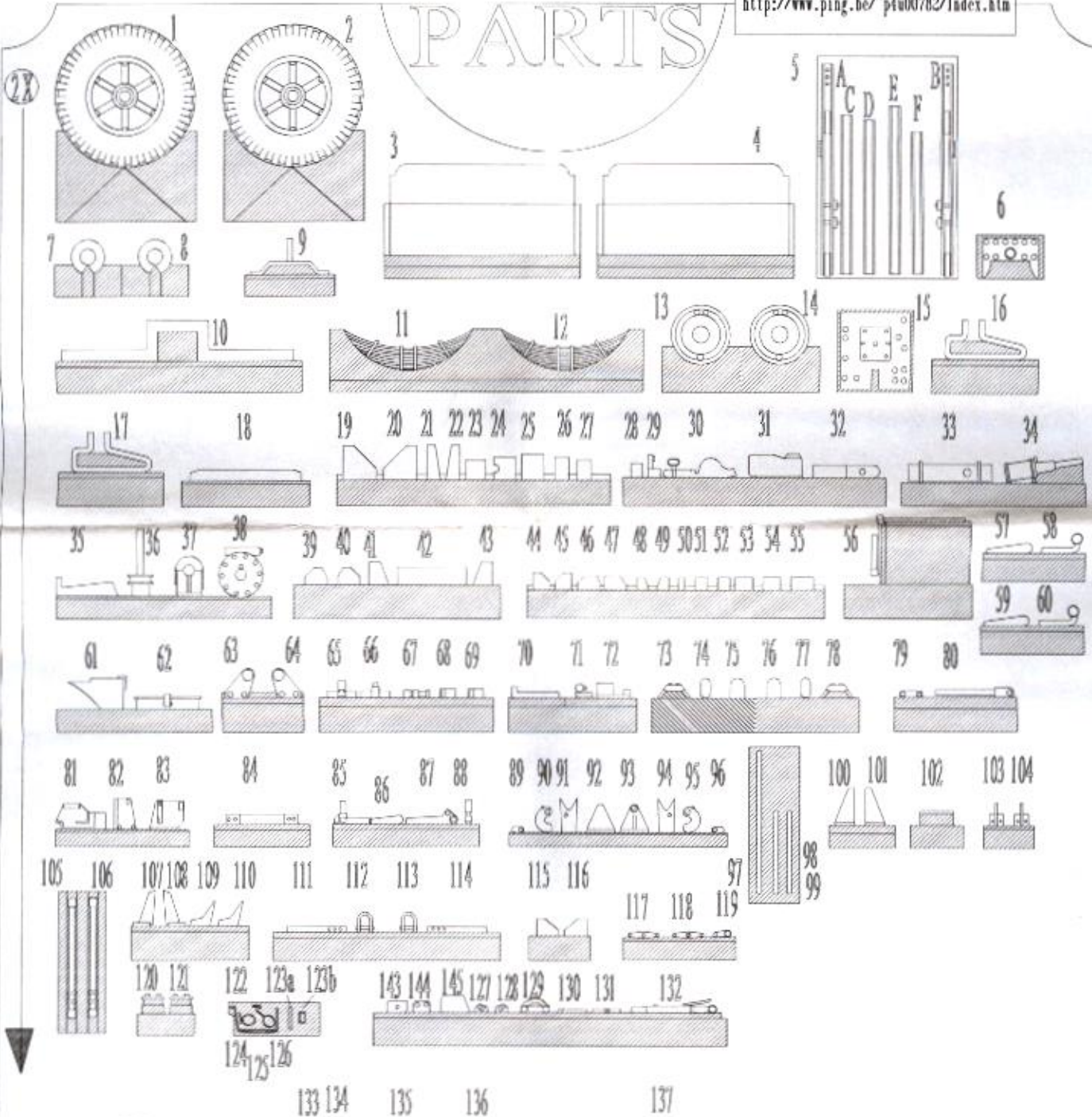
Sd.Ah.104

PRECISION models

Scale : 1/35
Ref : 35.040.B

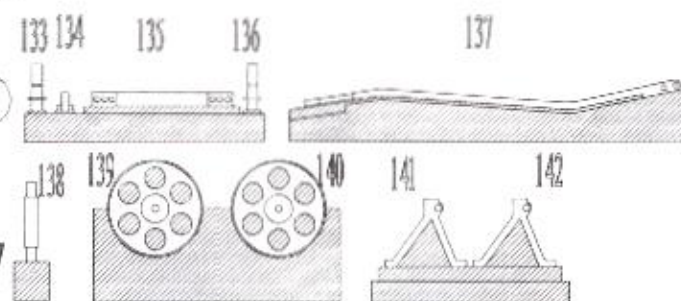
email : precisionmodels@ping.be
<http://www.ping.be/~ptu00782/index.htm>

PARTS



CAUTION!

Best glue to use is cyanocrylate
to glue firmly. Make sure the room is well-ventilated
because this glue is harmful when inhaled
excessively!

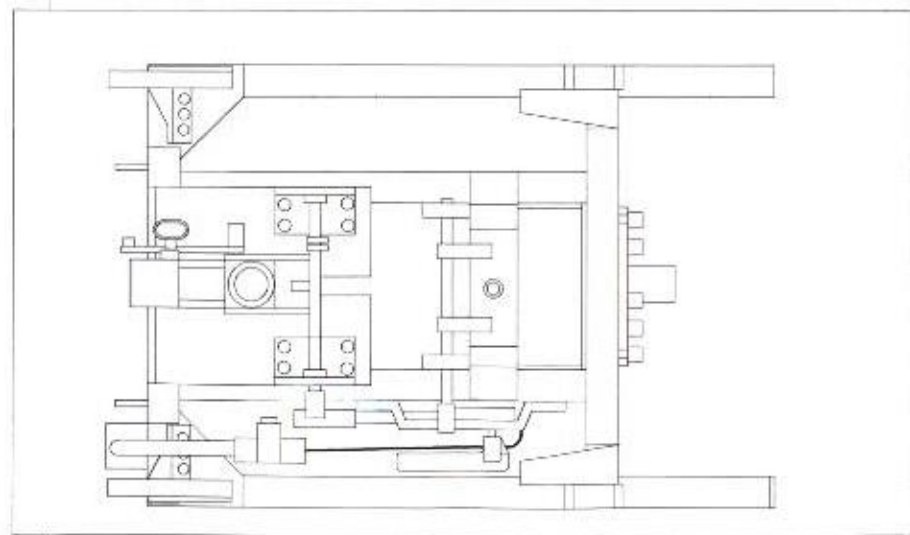
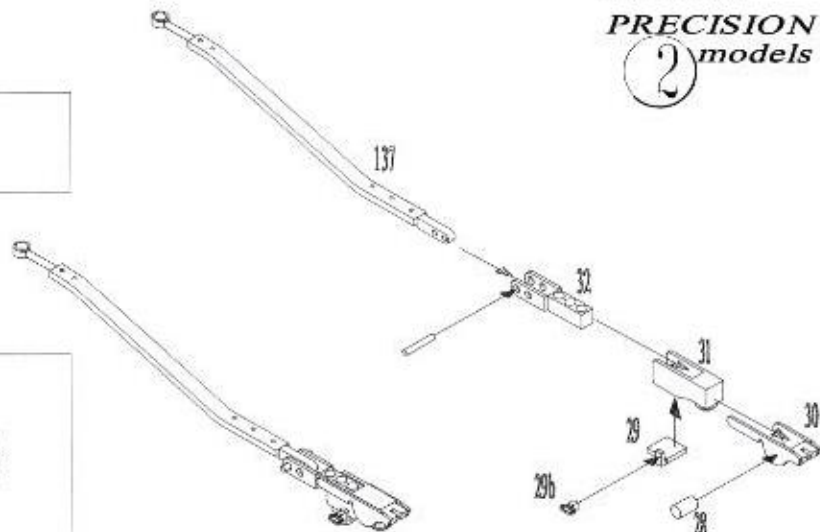
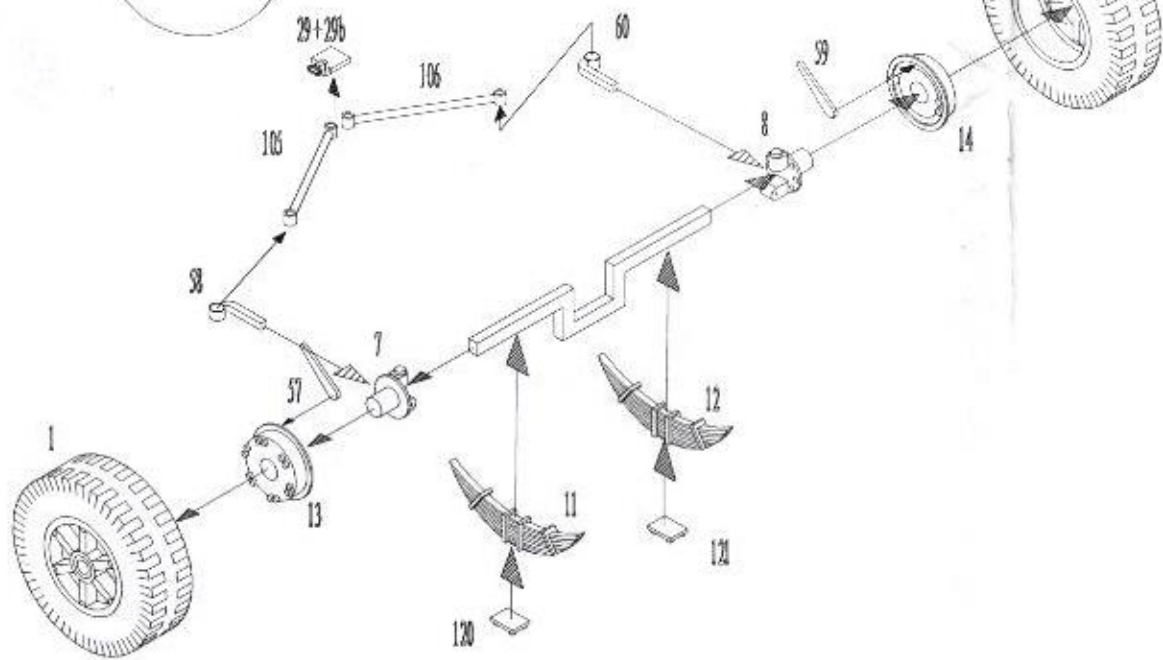
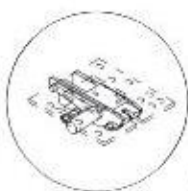
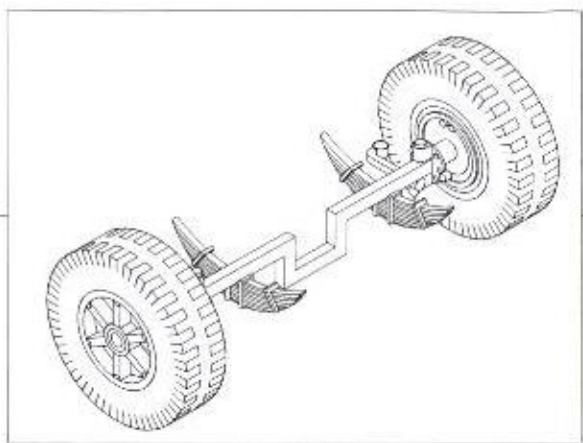


REMOVE SHADED PARTS

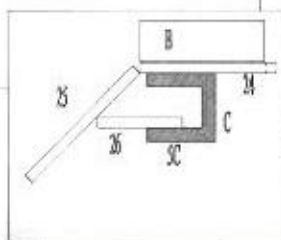
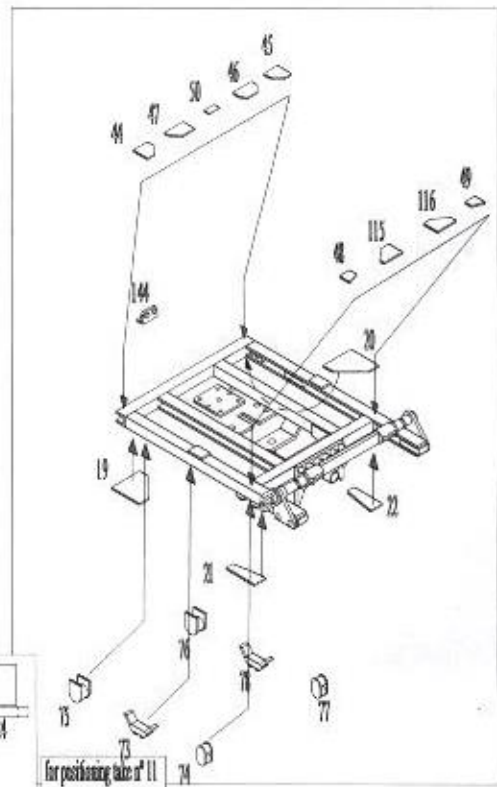
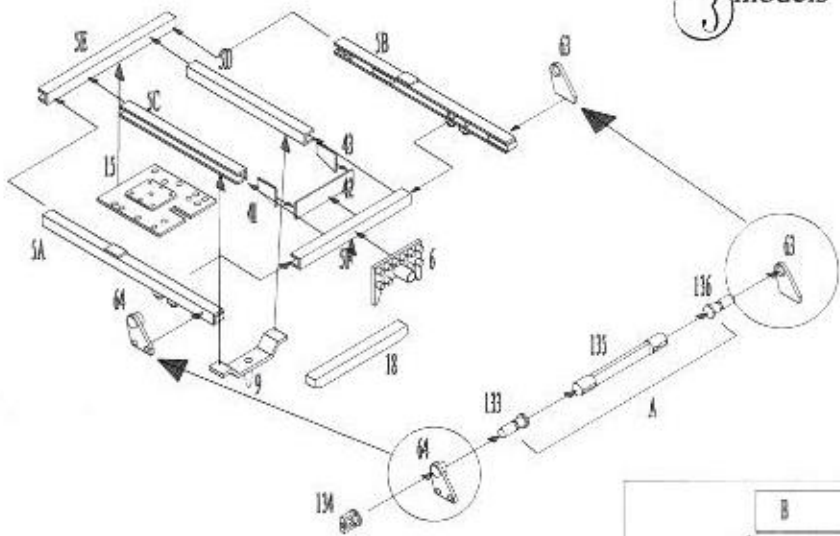
Made in Belgium C

Sd.Ah.104
PRECISION
② models

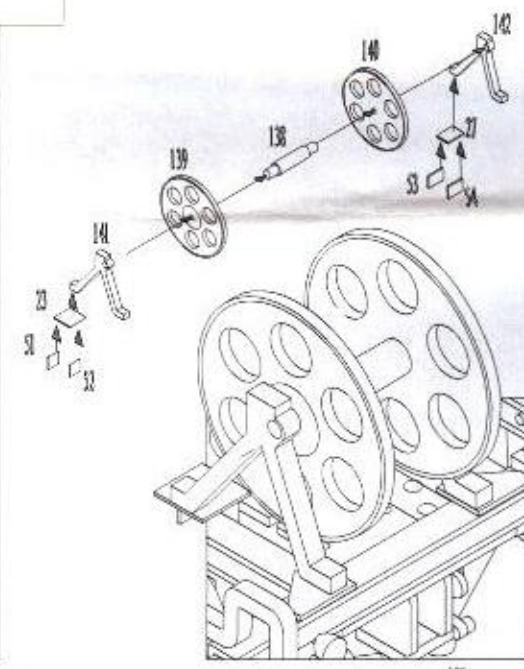
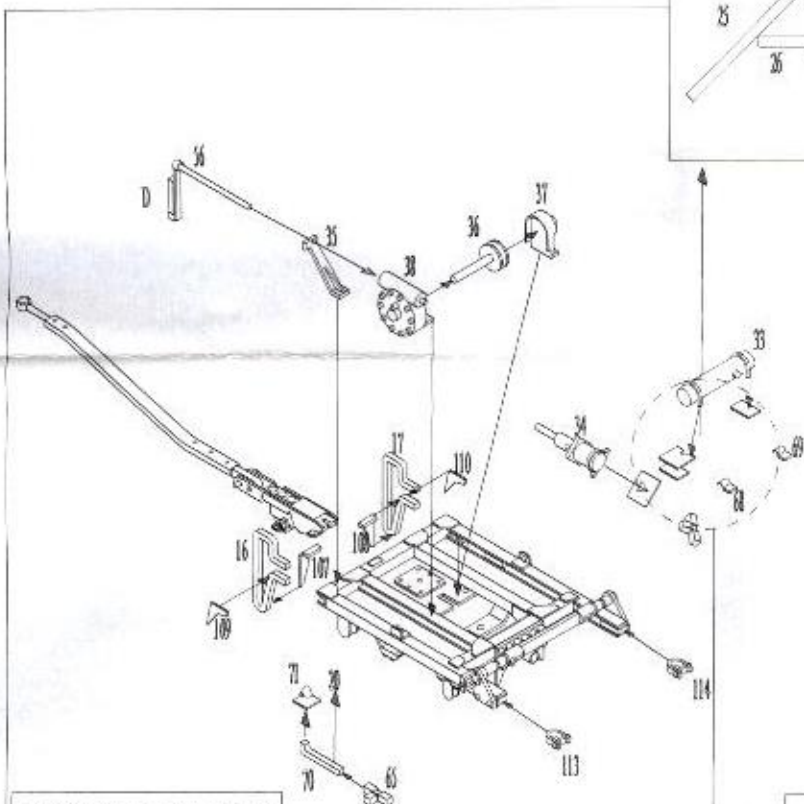
PRECISION
① models



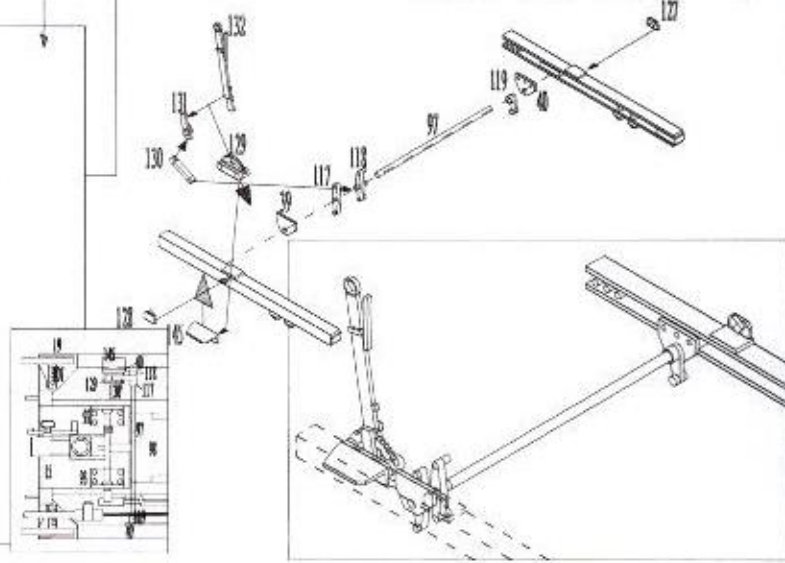
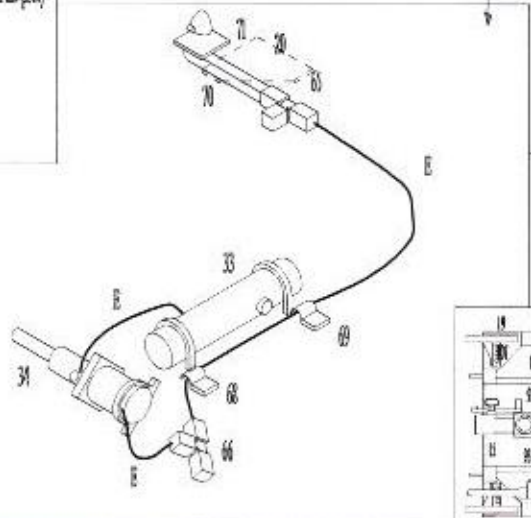
Sd.Ab.104
 PRECISION
 3 models



for positioning take of 11



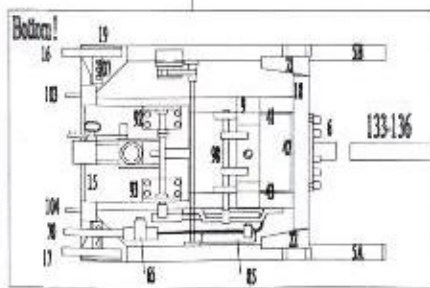
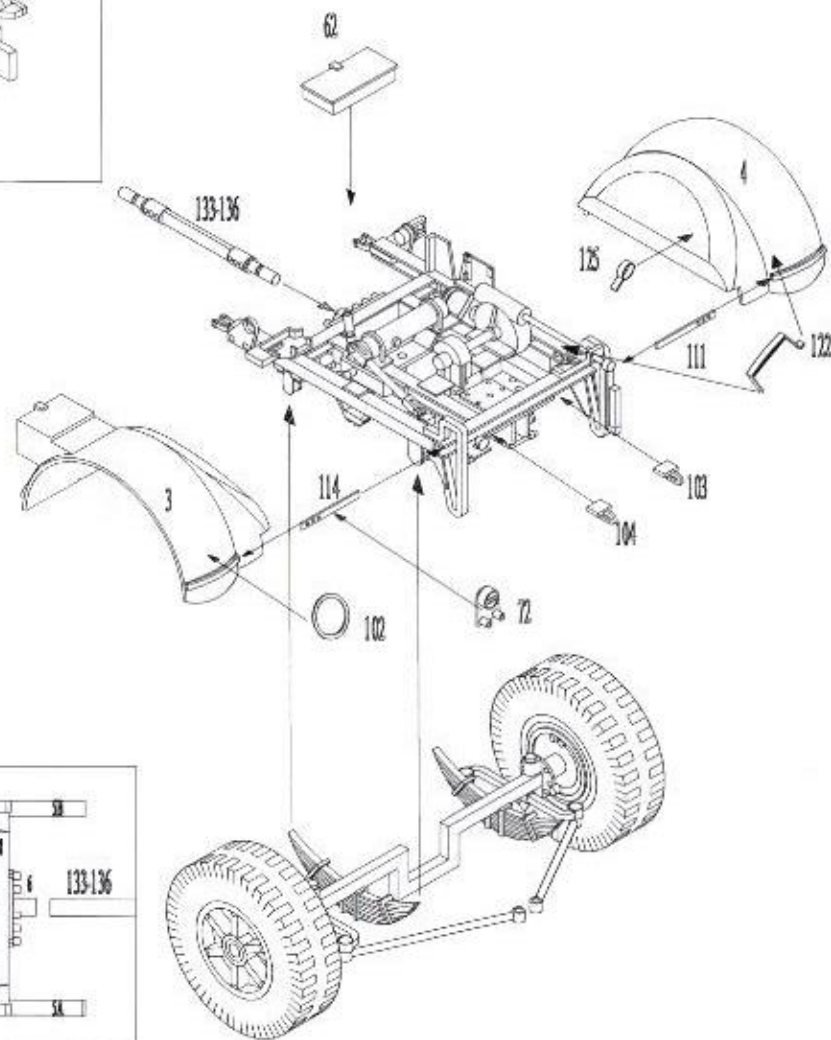
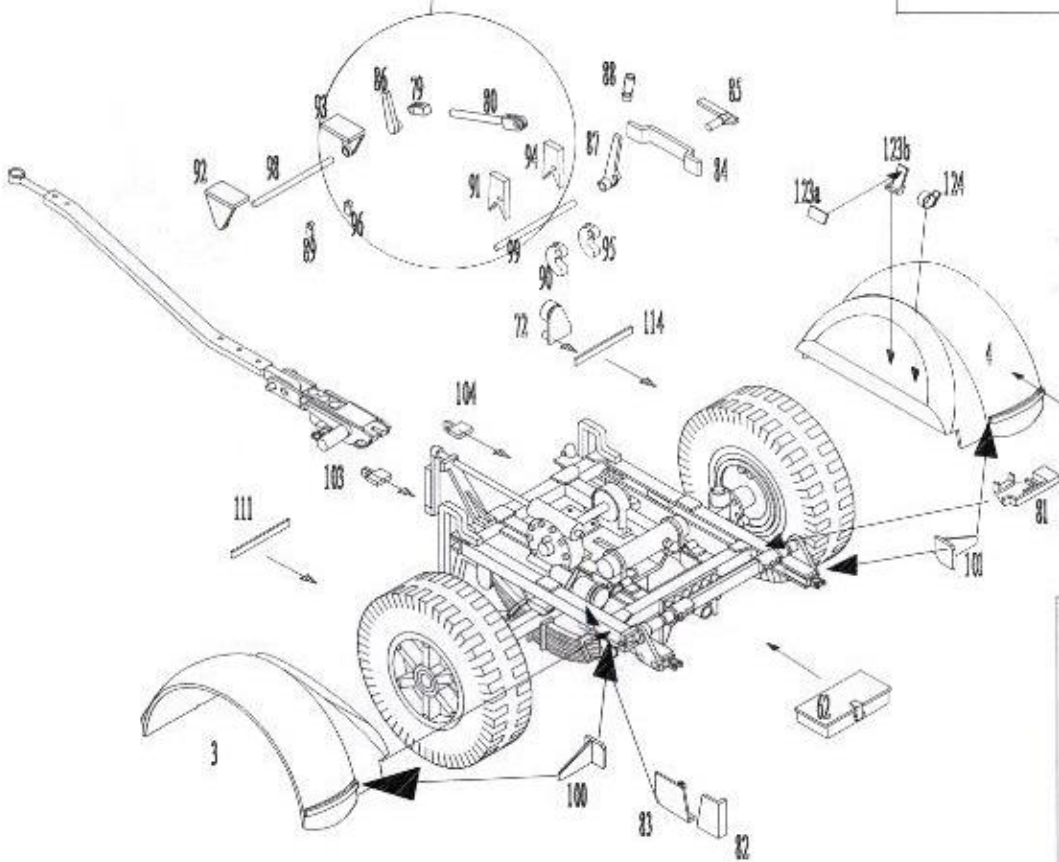
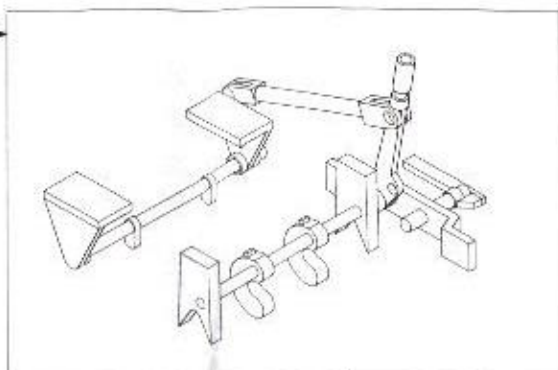
- A) Only use in the kit (use on the printer with the probe)
- B) Cross section
- C) Frame
- D) Crank (2 positions : open or closed)
- E) Copper wire



Sd.Ah.104

PRECISION
models

4



RRH Horchgerät
Sd.Ah.104

PRECISION
5 models

