

1:72 SCALE

La-7 Fighter



EASY ASSEMBLY AUTHENTIC KIT



cianoacrylate glue
强力胶



weight
配重



make hole
钻孔



cut / remove
切除



option
选择



no cement
不涂胶水



decal
贴纸



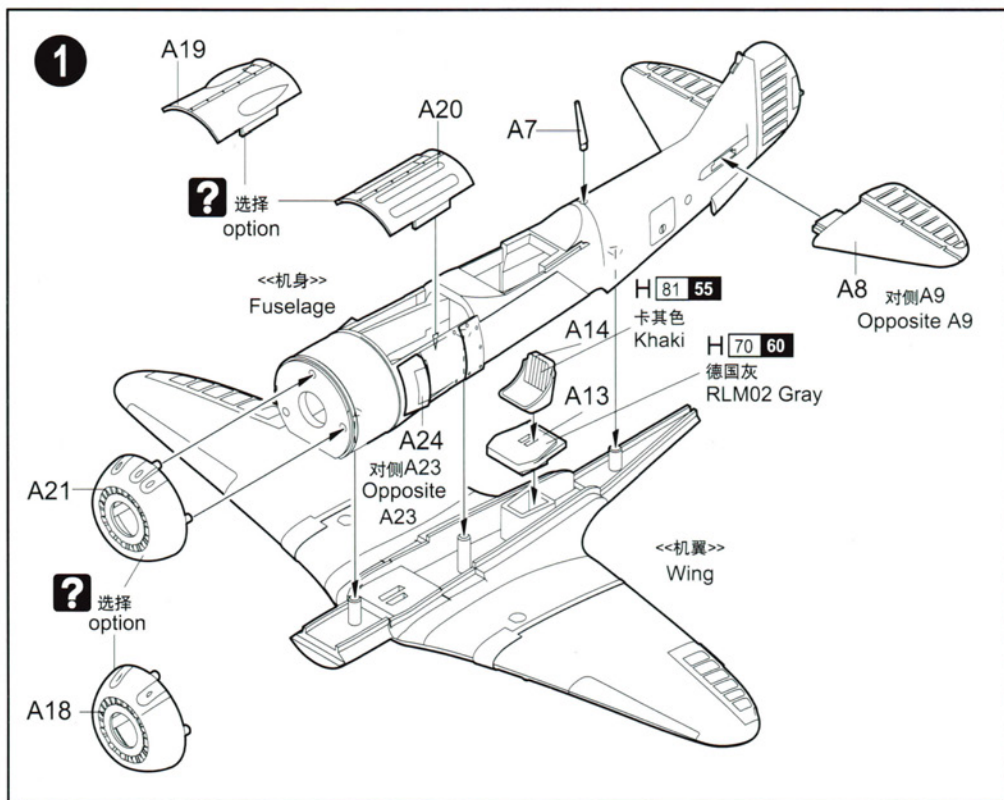
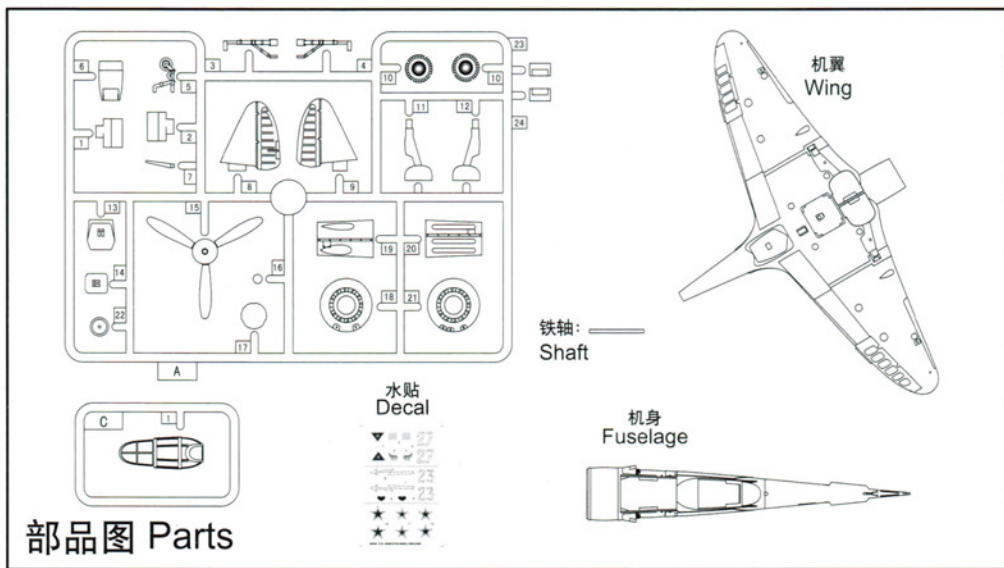
bend
弯曲

The way to apply the decals

1. Cut off the decal from the decal paper and put it into the warm water 40°C for 10 seconds.
2. Take the decal from the water and put it on a piece of clean cloth.
3. Remove the decal slowly from the paper to the targeted location by a wet finger.
4. Use a piece of dry and soft cloth to press it gently on the decal until it getting dry and no bubble existing.

水贴纸的使用方法:

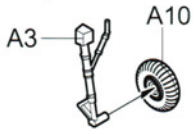
- 一. 把相关的印花从水贴纸上剪下, 放入40°C左右的温水中浸10秒。
- 二. 然后将印花放在干净的布上。
- 三. 拿上印花纸, 手指蘸水将印花移到适当的位置。
- 四. 用软干布轻压印花直至水干, 气泡消失。



2

<<右侧主起落架>>

Right main undercarriage



<<右侧主起落架>>

Right main undercarriage



<<左侧主起落架>>

对侧A2

Opposite A2

Left main undercarriage

A1

A12

<<左侧主起落架>>

Left main undercarriage



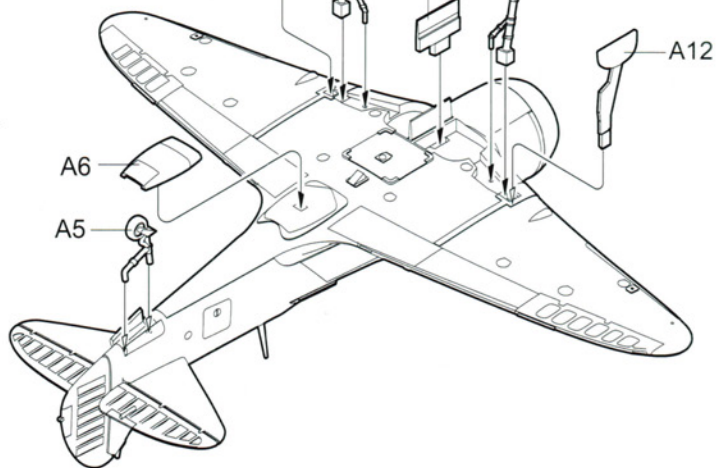
A10

H 8 8

银色
Silver

A6

A5



<<座舱罩>>

Canopy

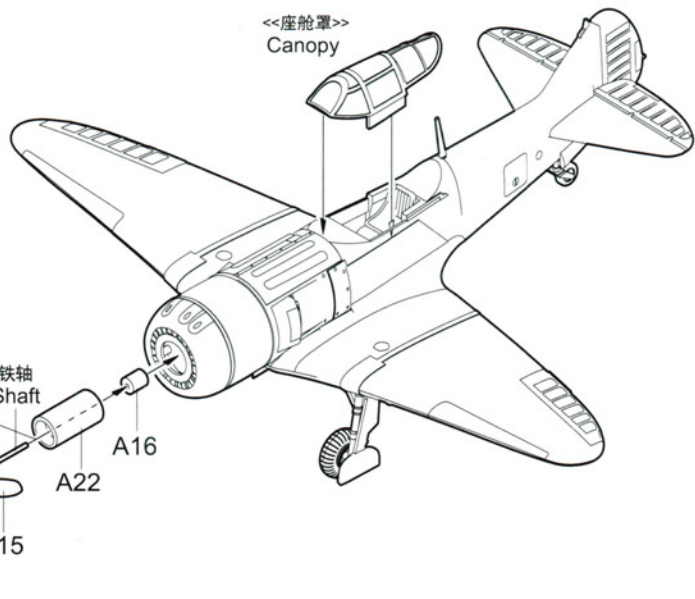
不涂胶水 铁轴
No cement Shaft<<螺旋桨>>
Propeller

A17

A15

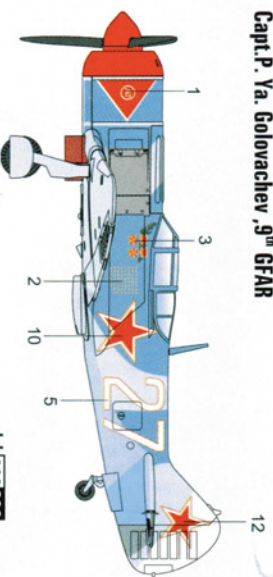
A16

A22

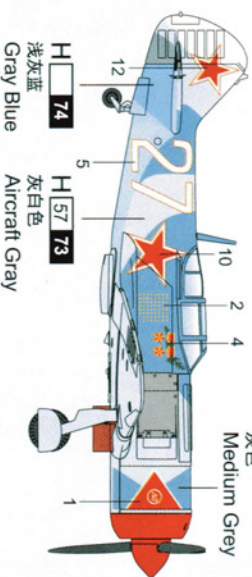


80236

Capt. P. Ya. Golovachyev, 9th GFAR

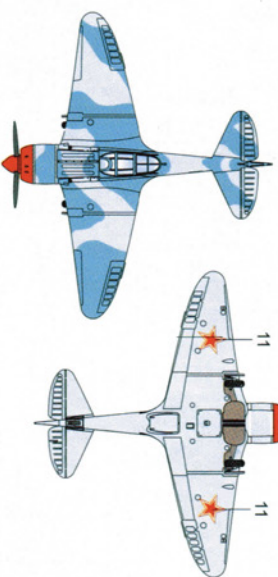


H 306 306
灰色
Medium Grey

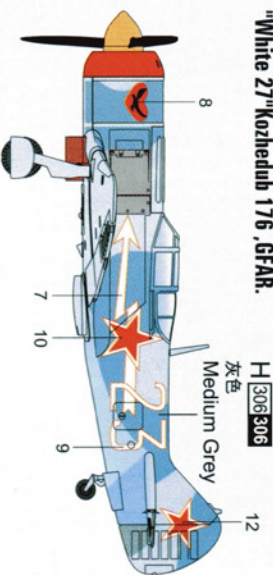


H 74
浅灰蓝
Gray Blue

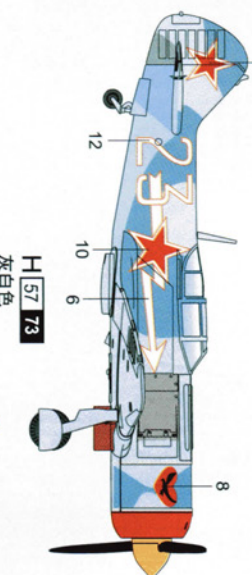
H 57 73
灰白色
Aircraft Gray



"White 27" Kozhedub 176, GFAR.



H 306 306
灰色
Medium Grey



H 57 73
灰白色
Aircraft Gray

