

# ROCKWELL B-1B BOMBER

Designed to replace the venerable Boeing B-52, Rockwell's B-1B was scheduled to enter the U.S. Air Force's Strategic Air Command in 1986. The slim lines of the big B-1B resemble a fighter more than a bomber, and this is carried through in the cockpit, where the control columns are sticks, rather than the conventions control wheels used on large aircraft.

The B-1B is the largest free world aircraft yet built to use a variable-geometry, or movable wing, which is designed to provide maximum aircraft performance. With the wings fully swept forward, wing span measures 136 feet 8 1/2 inches. Sweeping the wings back allows the bomber to streak through the skies at 1,450 mph, or Mach 1.4, to deliver up to 115,000 lbs. of bombs, 32 AGM-69 SRAM missiles, or 32 of

the new AGM-86 B cruise missiles.

New technology has given the B-1B a radar profile only one hundredth that of the larger B-52, allowing it to sneak under enemy radar beams, hugging the ground under the control of an automatic terrain avoidance guidance system. To smooth the ride at near ground level dashes, a pair of small canard surfaces are attached to the nose. These automatically dampen the shuddering that would otherwise shake the plane at this altitude.

The B-1B is well designed for survivability and operational efficiency. It can withstand the effects of a nearby nuclear blast and take-off quickly, even if under attack. Your B-1B model is the first production roll-out aircraft with the modified European I camouflage scheme.



\* REPEAT SEVERAL TIMES  
\* A REPETER PLUSIEURS FOIS



\* OPTIONAL PARTS  
\* PIECES EN OPTION



\* DECAL  
\* DECAL COMANIE



\* ALTERNATIVE ASSEMBLY  
\* ENSEMBLAGE ALTERNATIVE



\* CEMENT TOGETHER  
\* A COLLER



\* REMOVE AND THROW AWAY  
\* A RETIRER ET JETER



\* DO NOT CEMENT  
\* NE PAS COLLER

### READ THIS BEFORE YOU BEGIN

- \* Study the assembly drawings.
- \* Each plastic part is identified by a number.
- \* In the assembly drawings, some parts will be marked by a star (★) to indicate chrome plated plastic.
- \* For better paint and decal adhesion, wash the plastic parts in a mild detergent solution. Rinse and let air dry.
- \* Check the fit of each piece before cementing in place.
- \* Use only cement for polystyrene plastic.
- \* Scrape plating and paint from areas to be cemented.
- \* Allow paint to dry thoroughly before handling parts.
- \* Any unused parts may be discarded.

### DECAL APPLICATION INSTRUCTIONS

1. Cut desired decal from sheet.
2. Dip decal in water for a few seconds.
3. Place wet decal on paper towel.
4. Wait until decal is movable on paper backing.
5. Place decal in position on model, face up and slide backing away.
6. Press out air bubbles with a soft damp cloth.
7. Milkiness that may appear is for better decal adhesion and will dry clear. Wipe away any excess adhesive.
8. Do not touch decal until fully dry.
9. Allow the decals 48 hours to dry before applying clear coat.

**NOTE:** Decals are not compatible with setting solutions or solvents.

### LIRE CE QUI SUIT AVANT DE COMMENCER

- \* Etudier les schémas de montage.
- \* Chaque pièce en plastique est identifiée par un numéro.
- \* Sur les schémas de montage, certaines pièces sont marquées d'une étoile (★) pour indiquer qu'elles sont en plastique chromé.
- \* Pour une meilleure prise de la peinture et des autocollants, laver les pièces en plastique avec une solution détergente peu concentrée. Les rincer et les laisser sécher à l'air.
- \* Vérifier que chaque pièce s'ajuste bien avant de la coller en place.
- \* N'utiliser que de la colle pour polystyrène.
- \* Gratter les parties à coller pour enlever le chrome et la peinture.
- \* Laisser la peinture bien sécher avant de manipuler les pièces.
- \* Toute pièce inutilisée peut être jetée.

### DIRECTIVES D'APPLICATION DES AUTOCOLLANTS

1. Découper l'autocollant désiré de la feuille.
2. Tremper l'autocollant dans de l'eau pendant quelques secondes.
3. Placer l'autocollant mouillé sur une serviette en papier.
4. Attendez que l'autocollant puisse être déplacé sur son support en papier.
5. Mettre l'autocollant en position sur le modèle face sur le dessus et faire glisser le support pour l'enlever.
6. Appuyer avec un chiffon doux humide pour éliminer les bulles d'air.
7. La substance laiteuse qui peut apparaître est destinée à améliorer l'adhésion de l'autocollant et devient incolore au séchage. Essuyer pour enlever tout excédent d'adhésif.
8. Ne pas toucher l'autocollant tant qu'il n'est pas bien sec.
9. Laisser l'autocollant sécher pendant 48 heures avant d'appliquer une couche transparente.

**REMARQUE:** Les autocollants sont incompatibles avec les solutions de fixation ou les solvants.

*This paint guide is provided to complete this kit as shown on the box.*

Ce guide de peinture est fourni pour reproduire le modèle réduit qui apparaît sur la boîte.

Flat Black	Noir mat
Flat Light Gray	Gris goéland mat
Flat Green	Vert mat
Flat Dark Gray	Gris fonce mat
Gray	Gris
White	Blanc
Flat Red	Rouge mat
Yellow	Jaune
Gloss Red	Rouge lustré
Gloss Green	Vert lustré
Gold	Doré
Silver	Argent
Gunmetal	Gris acier foncé
Chromate Green	Vert chromate

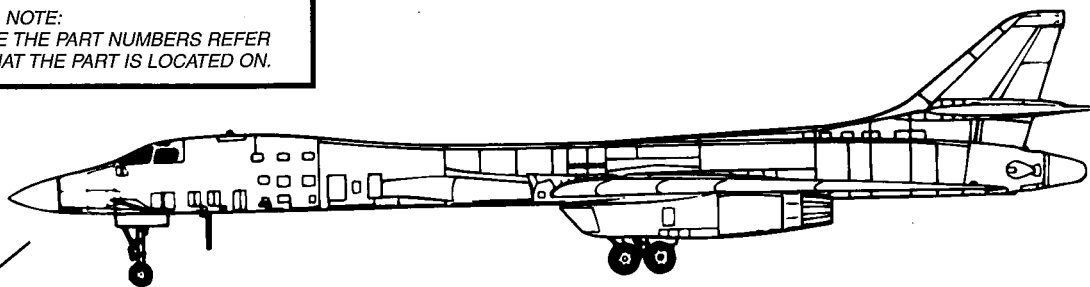
If you have any questions or comments, call our hotline at: **(800) 833-3570**  
or, please write to:

**Revell-Monogram** Consumer Service Department, 8601 Waukegan Road, Morton Grove, Illinois 60053  
Be sure to include the plan number (8549000200), part number, description, your return address and phone number.

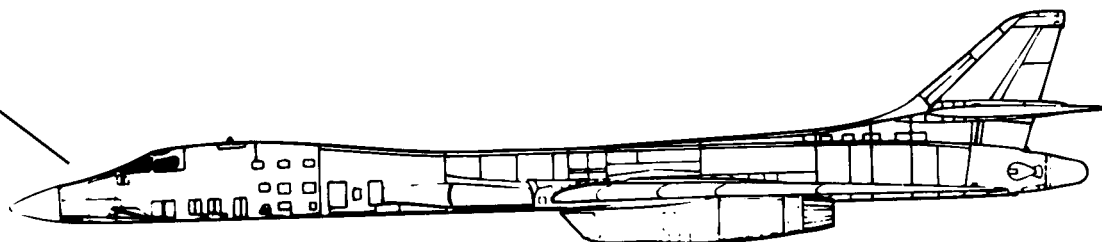
Visit our website: [www.revell-monogram.com](http://www.revell-monogram.com)

**NOTE:**  
THE LETTERS BEFORE THE PART NUMBERS REFER TO THE PART TREE THAT THE PART IS LOCATED ON.

**A**

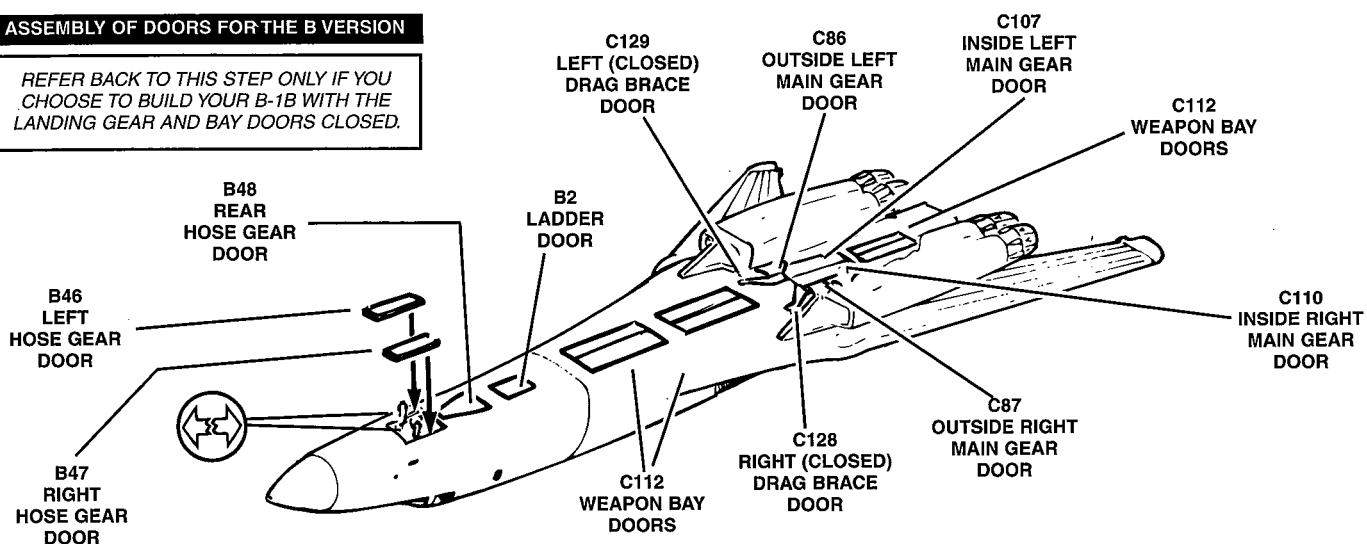


**B**



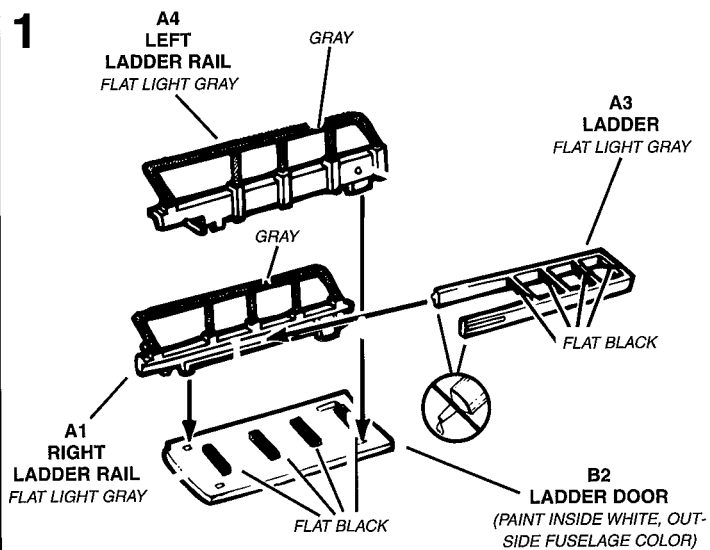
**ASSEMBLY OF DOORS FOR THE B VERSION**

REFER BACK TO THIS STEP ONLY IF YOU CHOOSE TO BUILD YOUR B-1B WITH THE LANDING GEAR AND BAY DOORS CLOSED.

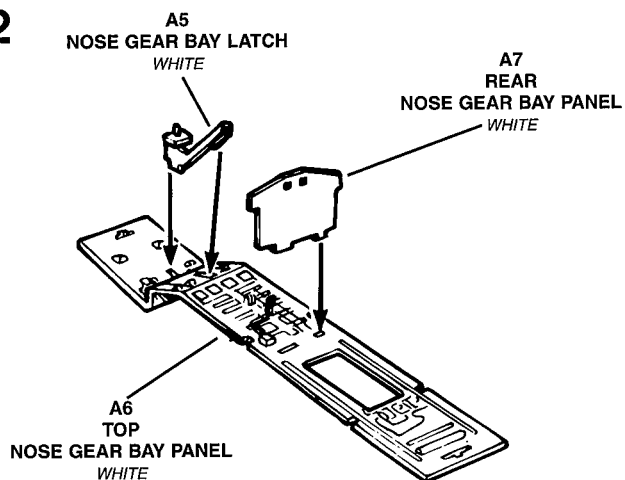


# B-1B BOMBER ASSEMBLY

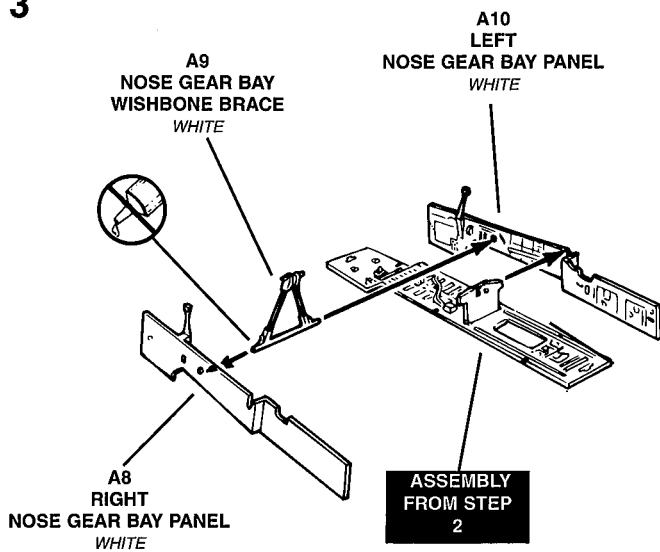
**1**



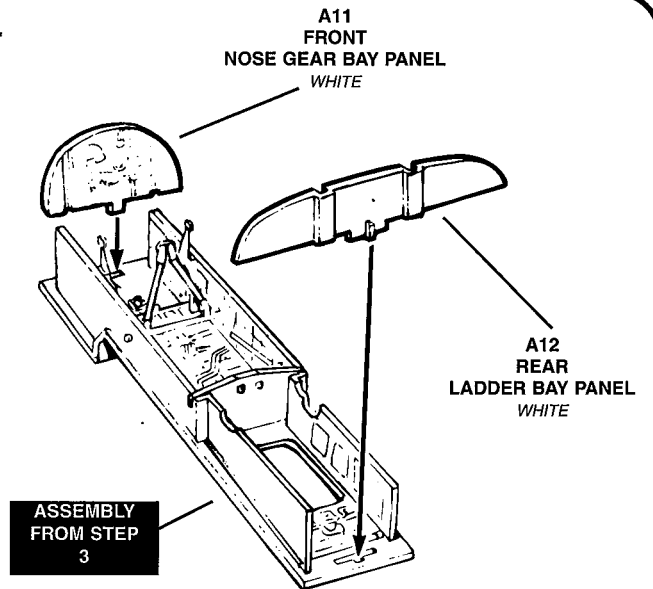
**2**



3

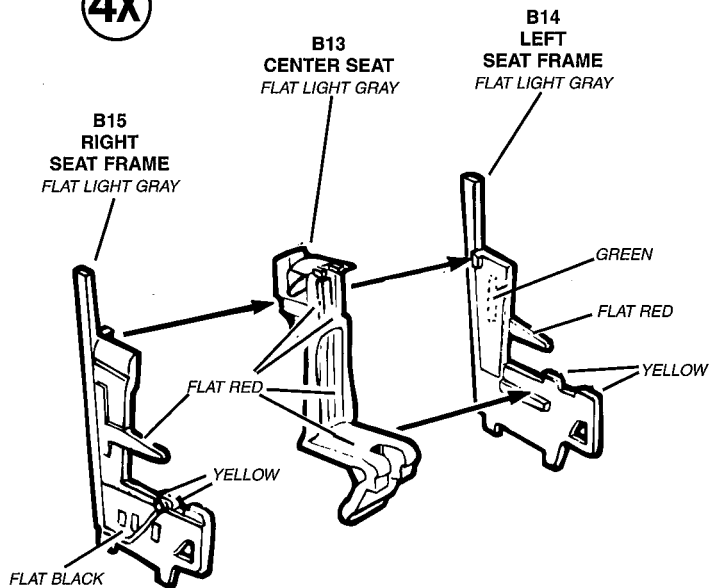


4

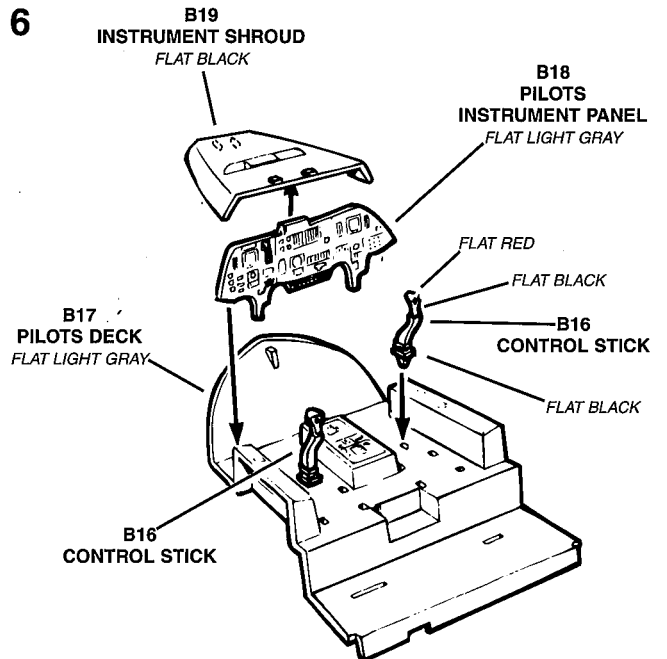


5

4X



6

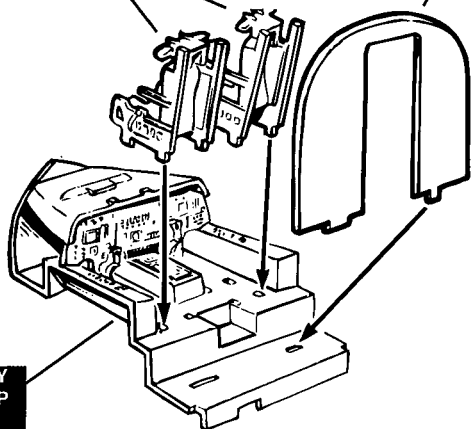


7

ASSEMBLY FROM STEP 5

B20 PILOTS BULKHEAD  
FLAT LIGHT GRAY

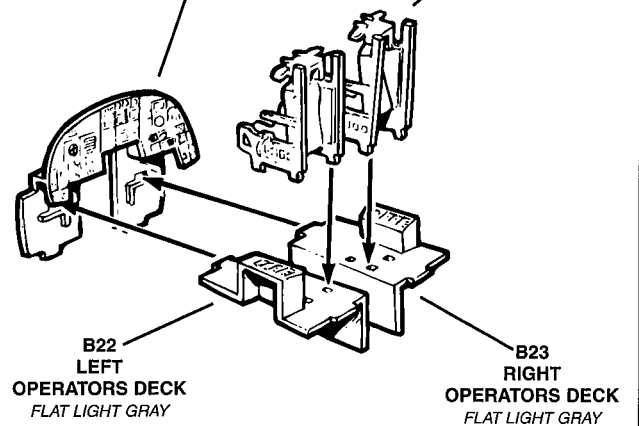
ASSEMBLY FROM STEP 6



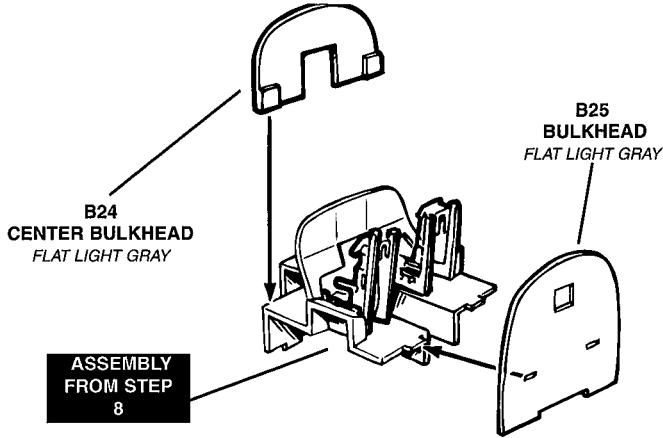
8

B21 OPERATORS INSTRUMENT PANEL  
FLAT LIGHT GRAY

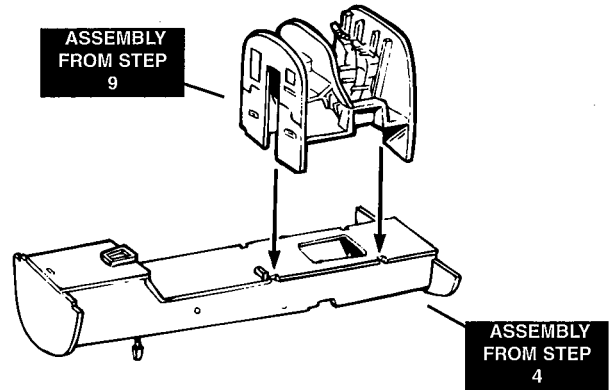
ASSEMBLY FROM STEP 5



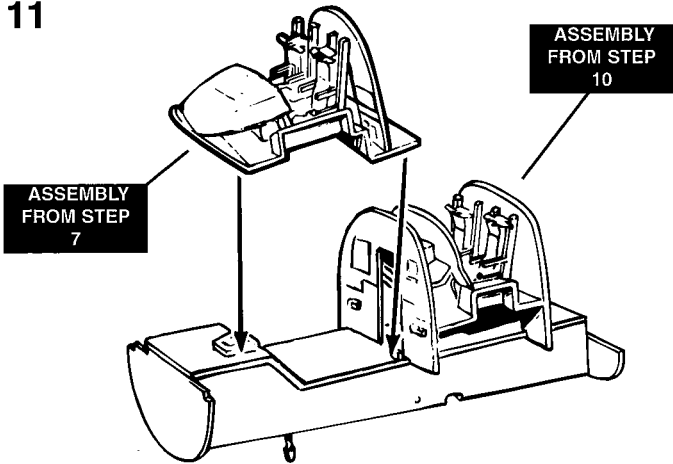
9



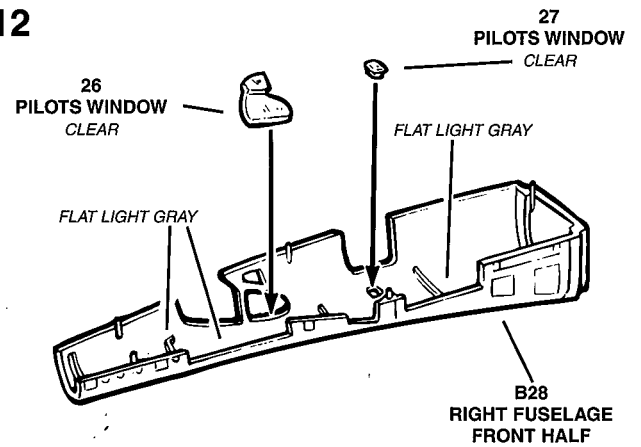
10



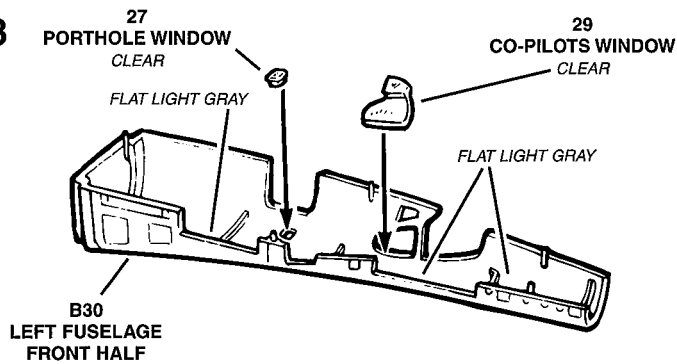
11



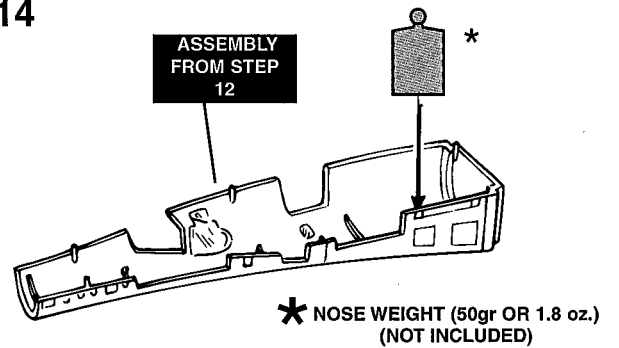
12



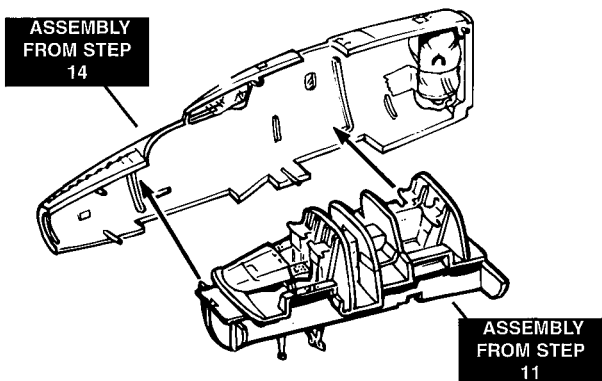
13



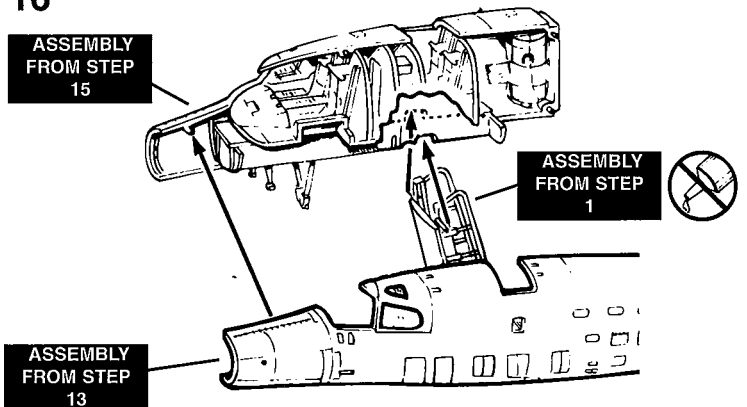
14



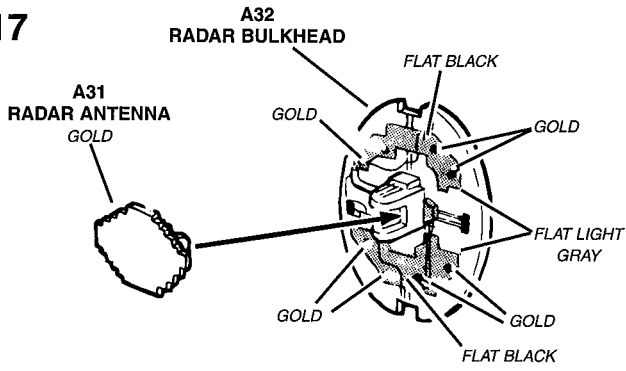
15



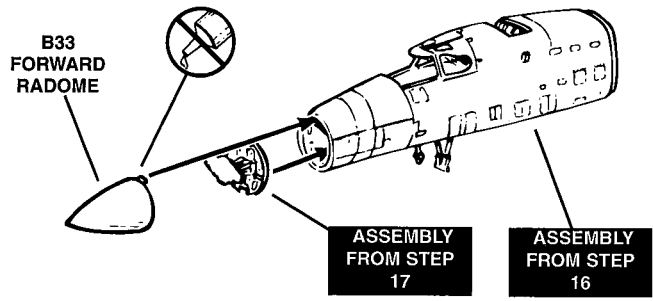
16



17

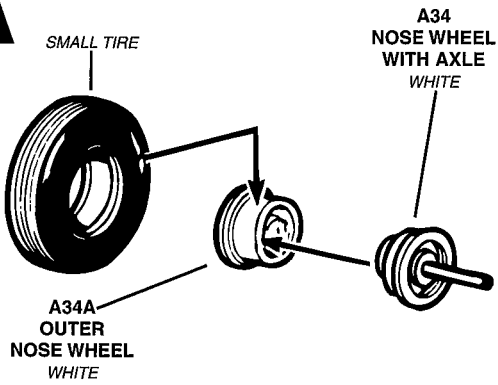


18

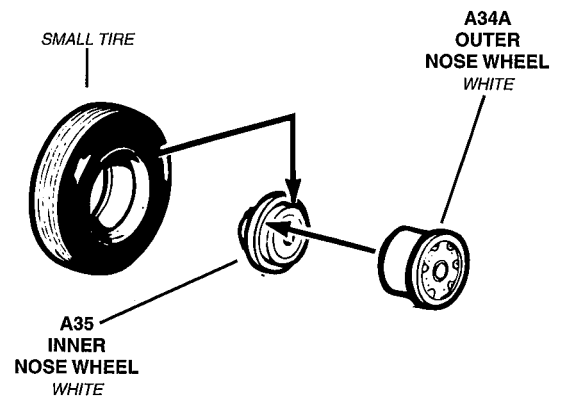


19

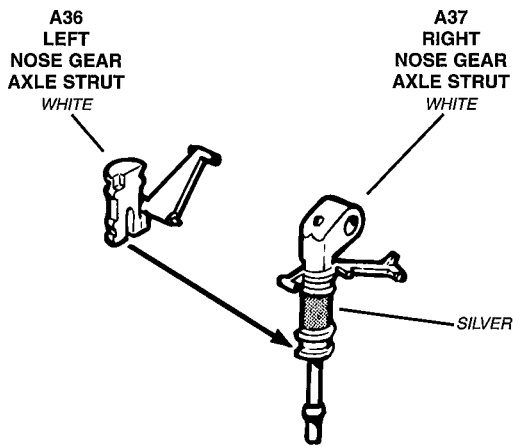
**A**



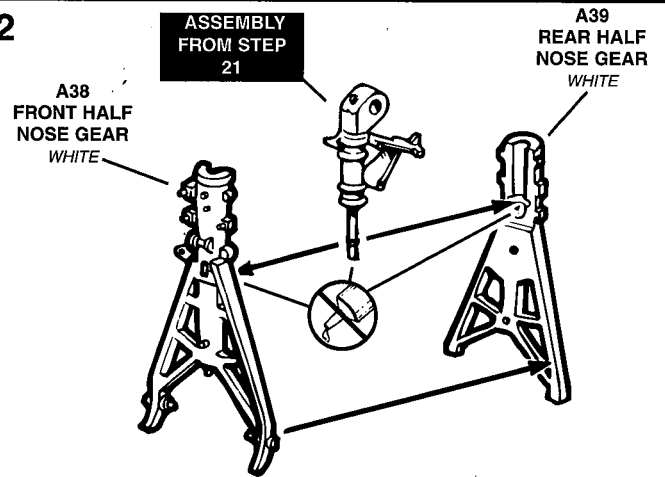
20



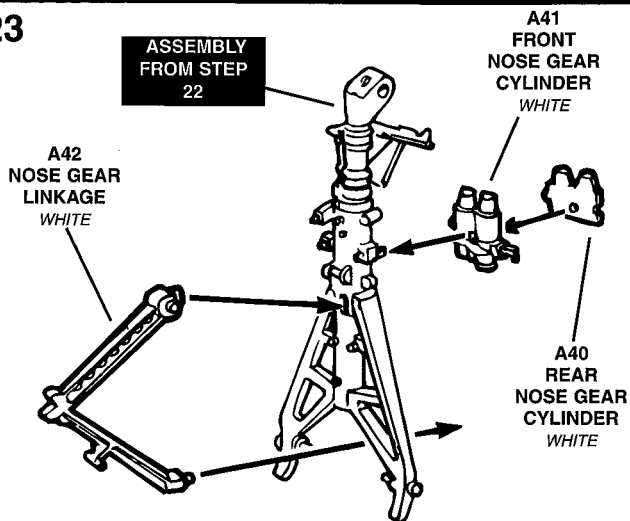
21



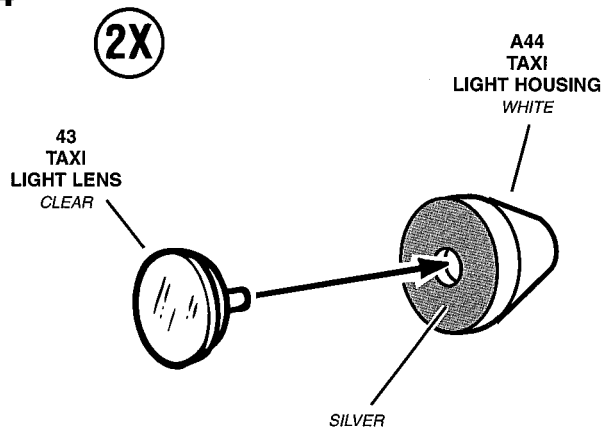
22



23



24

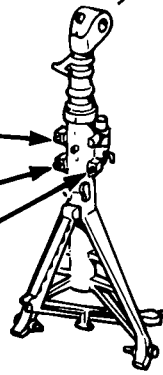


25

45  
SMALL TAXI  
LIGHT  
CLEAR

ASSEMBLY  
FROM STEP  
23

ASSEMBLY  
FROM STEP  
24

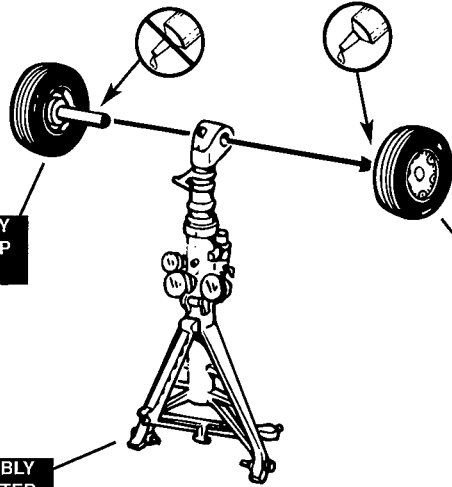


26

ASSEMBLY  
FROM STEP  
19

ASSEMBLY  
FROM STEP  
20

ASSEMBLY  
FROM STEP  
23



27

B46  
LEFT  
NOSE GEAR  
DOOR

B48  
REAR  
NOSE GEAR  
DOOR

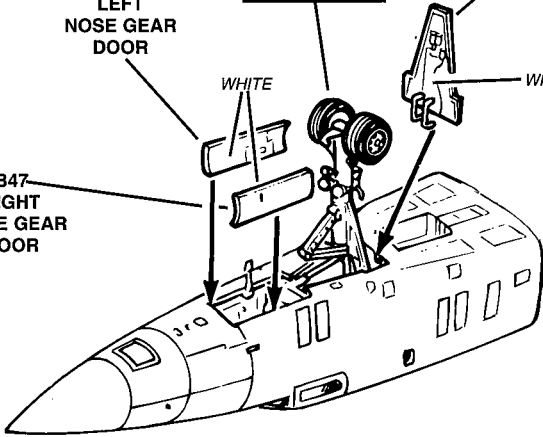
ASSEMBLY  
FROM STEP  
26

B47  
RIGHT  
NOSE GEAR  
DOOR

WHITE

WHITE

ASSEMBLY  
FROM STEP  
18

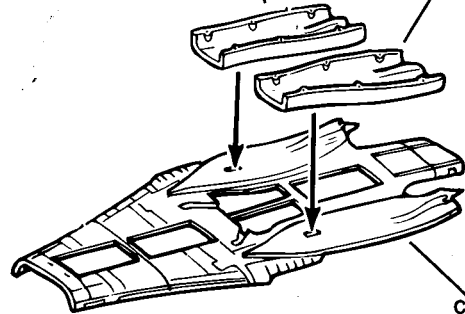


28

D49  
ENGINE NACELLE  
TOP HALF

D49  
ENGINE NACELLE  
TOP HALF

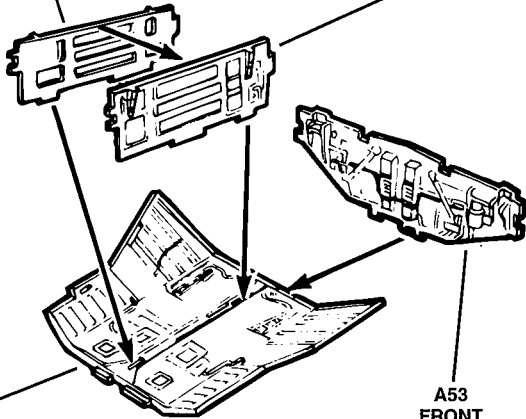
C50  
FUSELAGE MIDDLE  
HALF - BOTTOM



29

A51  
CENTER RIGHT  
MAIN GEAR BAY PANEL  
WHITE

A52  
CENTER LEFT  
MAIN GEAR BAY PANEL  
WHITE



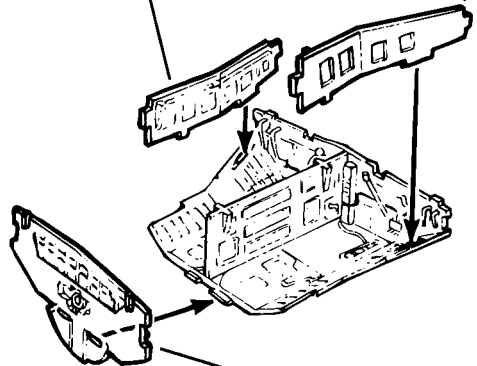
A54  
TOP  
MAIN GEAR BAY PANEL  
WHITE

A53  
FRONT  
MAIN GEAR BAY PANEL  
WHITE

30

A55  
RIGHT  
MAIN GEAR BAY PANEL  
WHITE

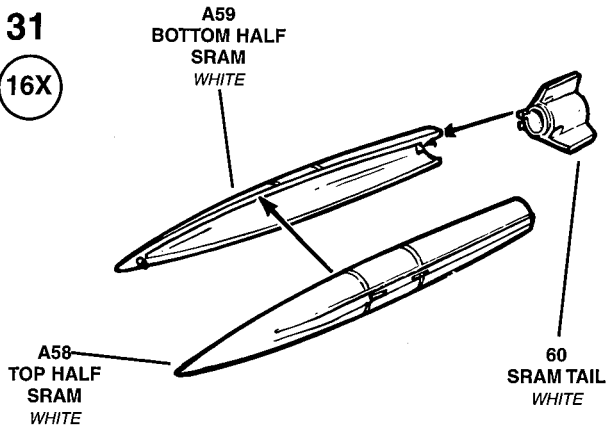
A56  
LEFT  
MAIN GEAR BAY PANEL  
WHITE



A57  
REAR  
MAIN GEAR BAY PANEL  
WHITE

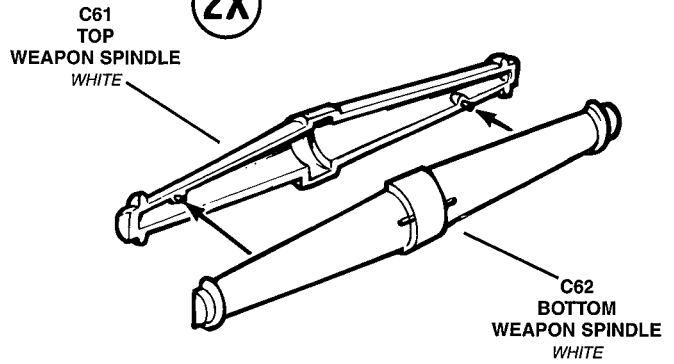
31

16X



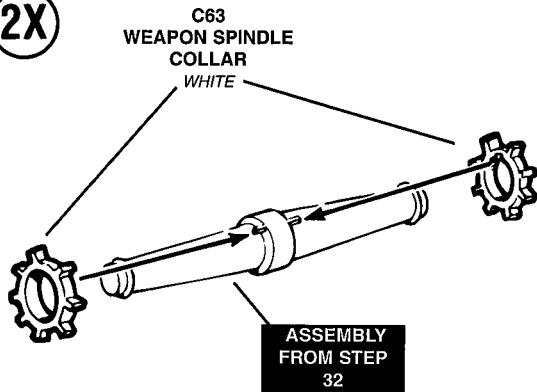
32

2X



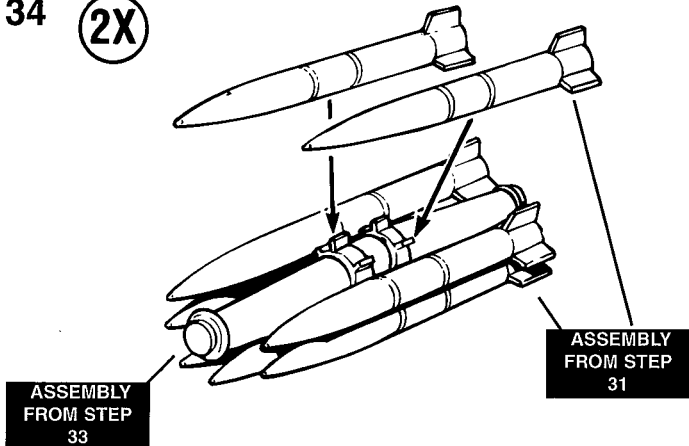
33

2X



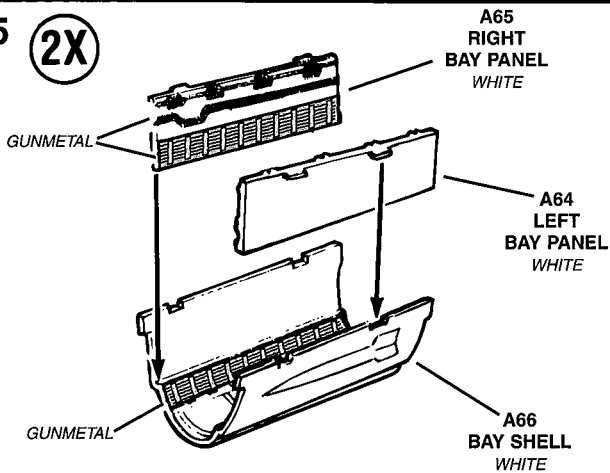
34

2X



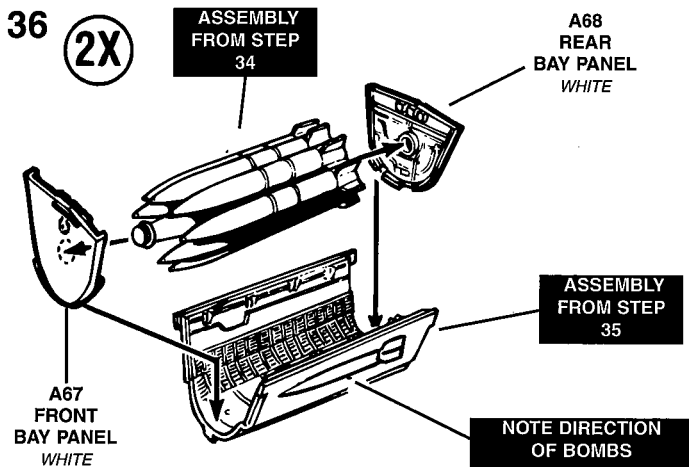
35

2X



36

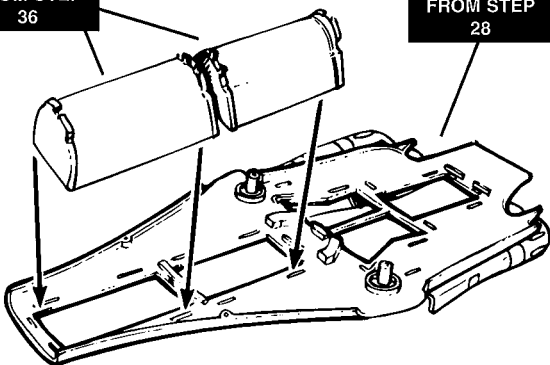
2X



37

ASSEMBLY  
FROM STEP  
36

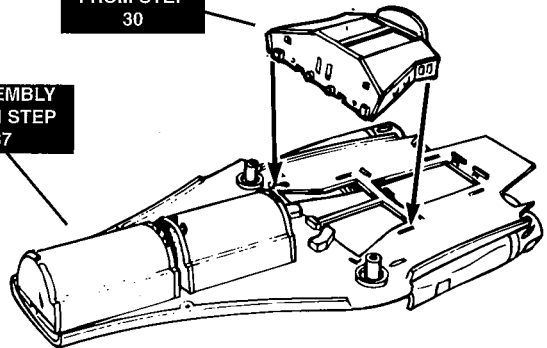
ASSEMBLY  
FROM STEP  
28



38

ASSEMBLY  
FROM STEP  
30

ASSEMBLY  
FROM STEP  
37

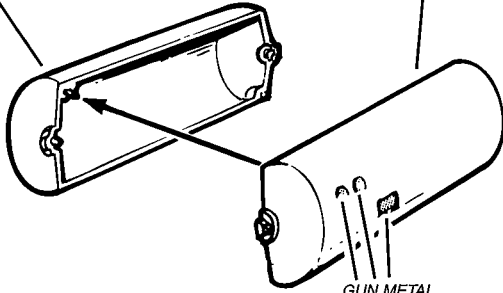


39

C70  
TOP  
FUEL TANK  
CHROMATE GREEN

C69  
BOTTOM  
FUEL TANK  
CHROMATE GREEN

GUN METAL

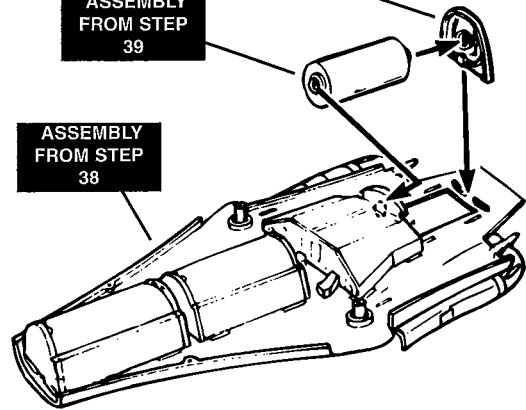


40

A71  
REAR  
BAY PANEL  
WHITE

ASSEMBLY  
FROM STEP  
39

ASSEMBLY  
FROM STEP  
38



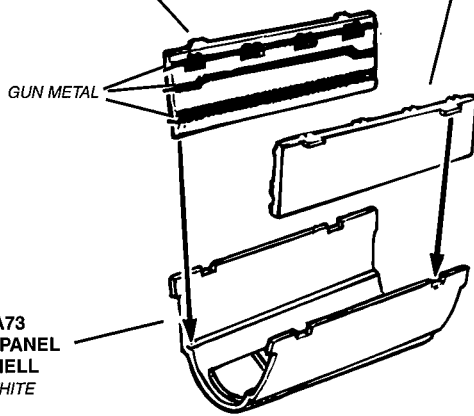
41

A72  
BAY PANEL  
WHITE

A72  
BAY PANEL  
WHITE

GUN METAL

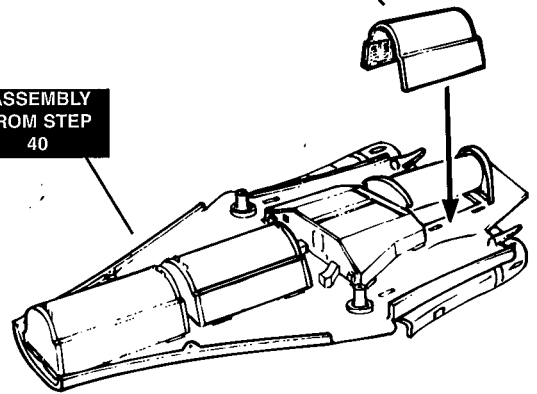
A73  
BAY PANEL  
SHELL  
WHITE



42

ASSEMBLY  
FROM STEP  
41

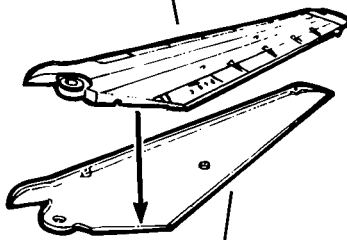
ASSEMBLY  
FROM STEP  
40



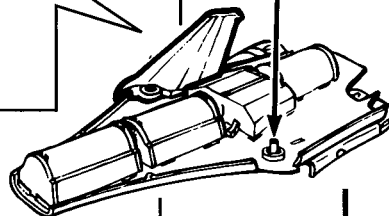
43

D74  
RIGHT TOP  
WING

COMPLETED  
ASSEMBLY  
IN POSITION



D75  
RIGHT BOTTOM  
WING

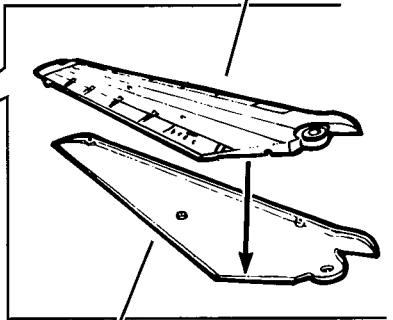


ASSEMBLY  
FROM STEP 42

44

D76  
LEFT TOP  
WING

COMPLETED  
ASSEMBLY



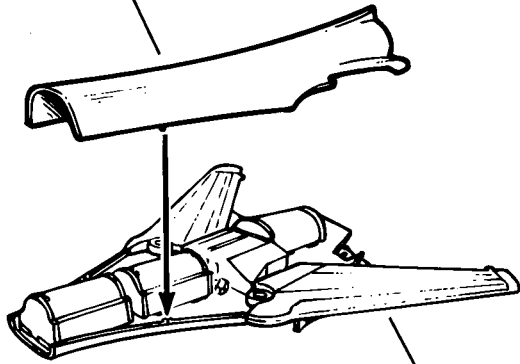
D77  
LEFT BOTTOM  
WING





45

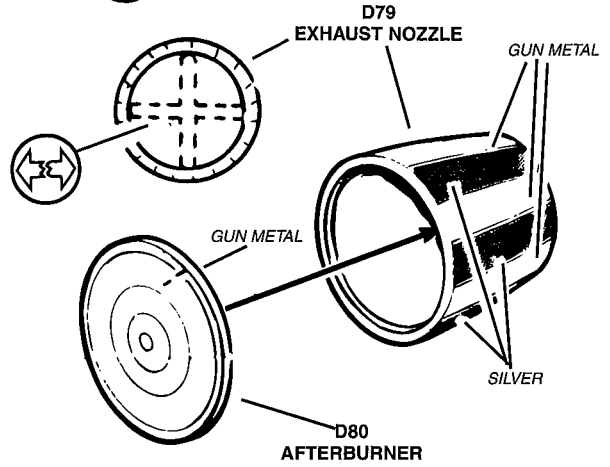
C78  
TOP  
FUSELAGE MIDDLE  
HALF



ASSEMBLY  
FROM STEP  
43 / 44

46

4X



47

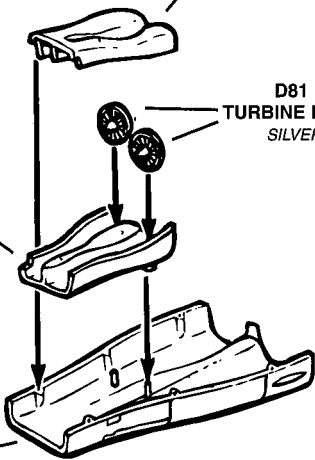
2X

B83  
BOTTOM  
INTAKE DUCT

B82  
TOP  
INTAKE DUCT

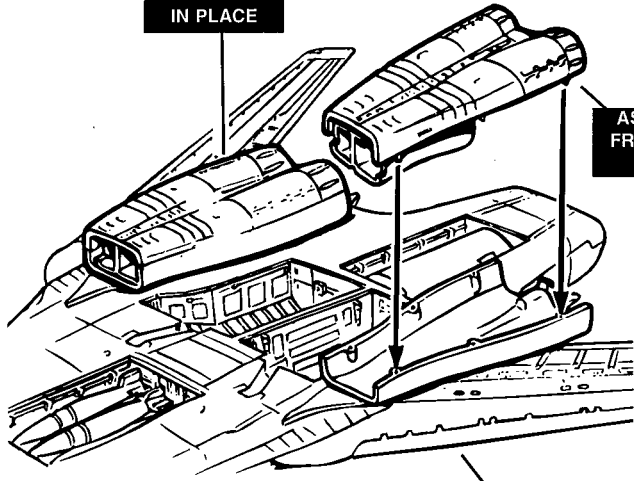
D81  
TURBINE FANS  
SILVER

D84  
BOTTOM  
ENGINE NACELLE



48

ASSEMBLY  
FROM STEP  
47  
IN PLACE



ASSEMBLY  
FROM STEP  
47

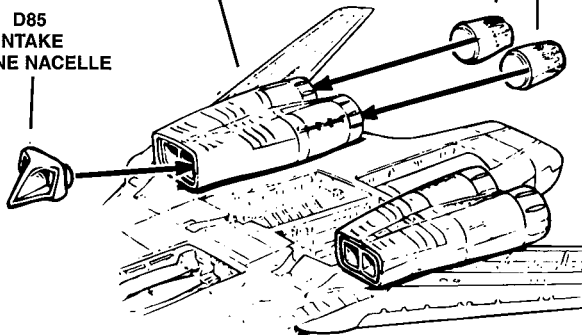
ASSEMBLY  
FROM STEP  
45

49

ASSEMBLY  
FROM STEP  
48

ASSEMBLY  
FROM STEP  
46

D85  
INTAKE  
ENGINE NACELLE

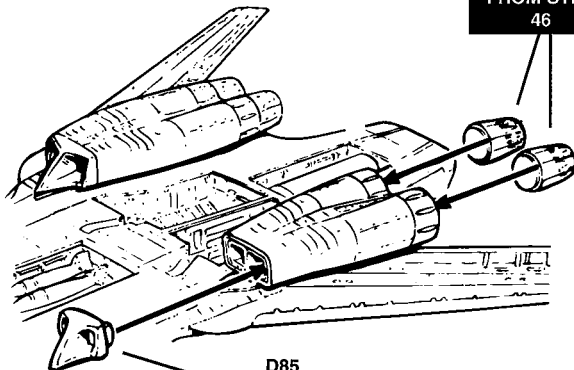


50

ASSEMBLY  
FROM STEP  
49

ASSEMBLY  
FROM STEP  
46

D85  
INTAKE  
ENGINE NACELLE



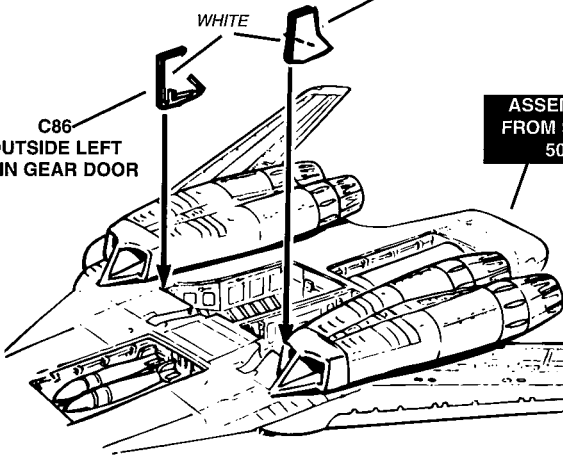
51

C87  
OUTSIDE RIGHT  
MAIN GEAR DOOR

C86  
OUTSIDE LEFT  
MAIN GEAR DOOR

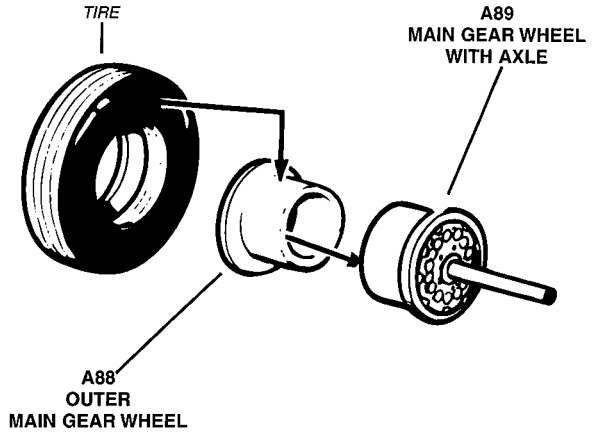
WHITE

ASSEMBLY  
FROM STEP  
50



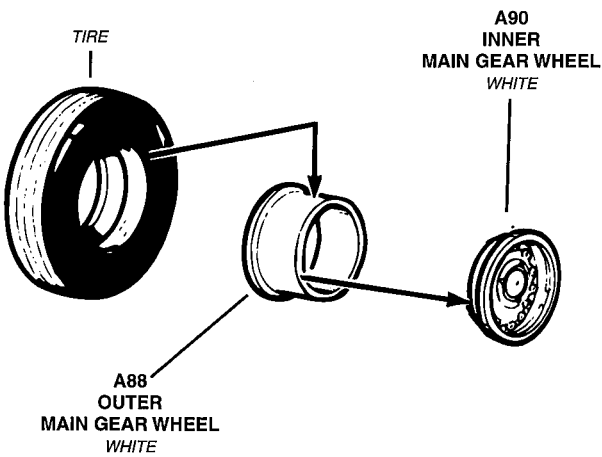
52

4X

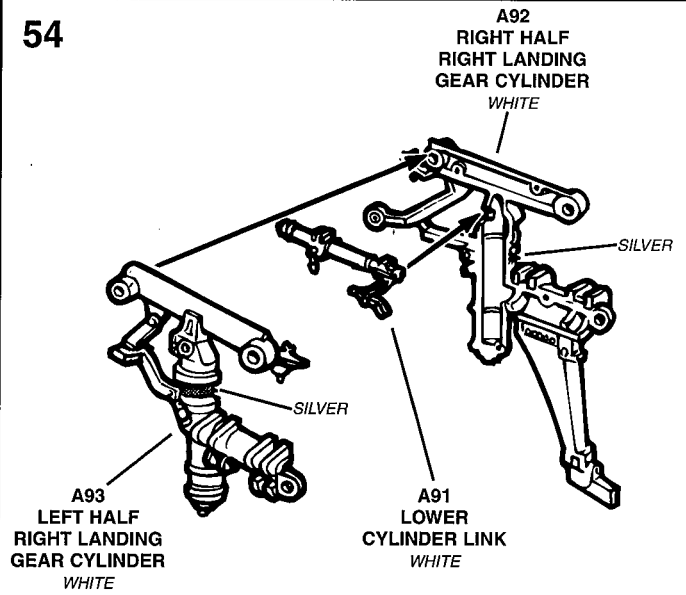


53

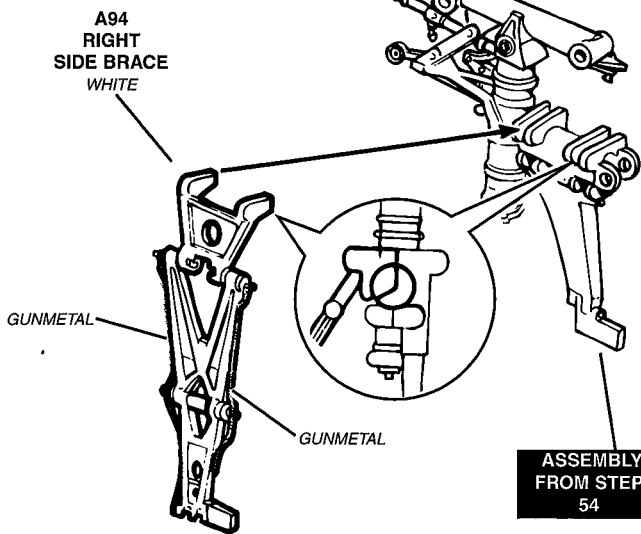
4X



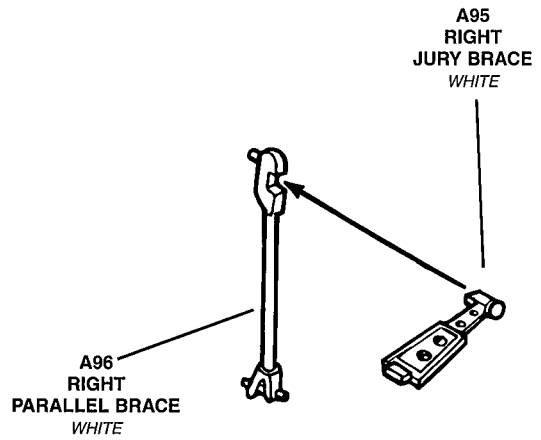
54



55



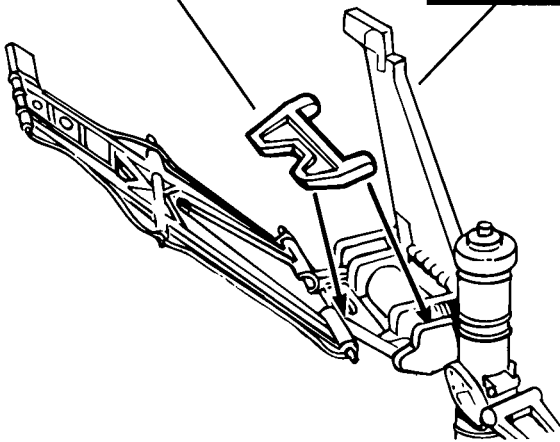
56



57

A97  
SIDE BRACE LINK  
WHITE

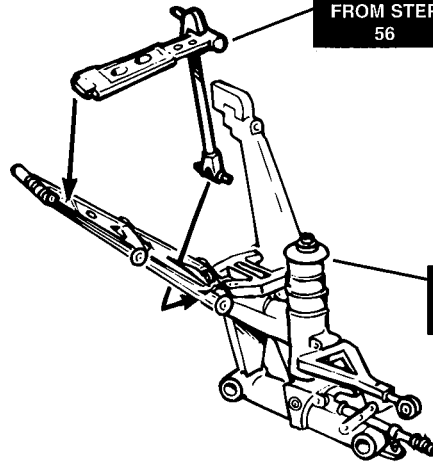
ASSEMBLY  
FROM STEP  
55



58

ASSEMBLY  
FROM STEP  
56

ASSEMBLY  
FROM STEP  
57



59

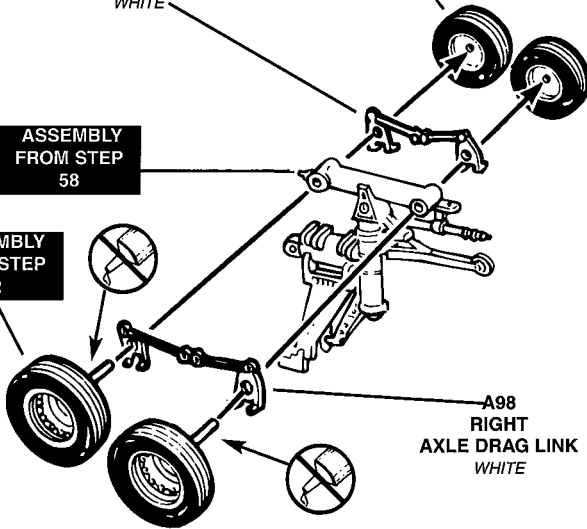
A99  
LEFT  
AXLE DRAG LINK  
WHITE

ASSEMBLY  
FROM STEP  
53

ASSEMBLY  
FROM STEP  
58

ASSEMBLY  
FROM STEP  
52

A98  
RIGHT  
AXLE DRAG LINK  
WHITE



60

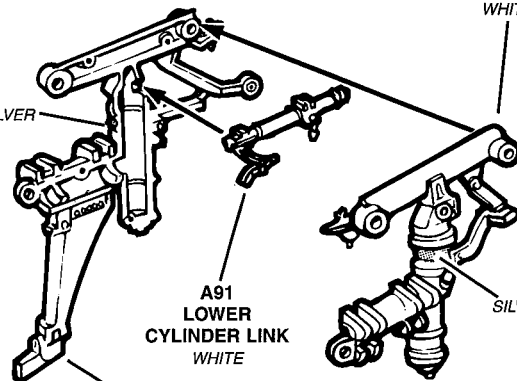
A101  
RIGHT HALF  
LEFT LANDING  
GEAR CYLINDER  
WHITE

SILVER

A91  
LOWER  
CYLINDER LINK  
WHITE

SILVER

A100  
LEFT HALF  
LEFT LANDING  
GEAR CYLINDER



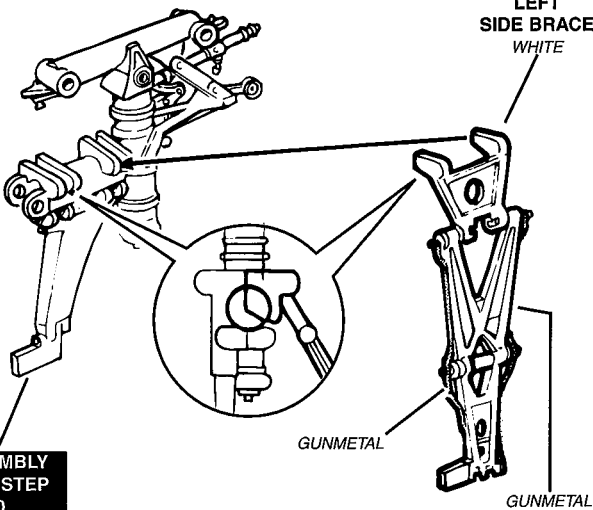
61

A102  
LEFT  
SIDE BRACE  
WHITE

GUNMETAL

GUNMETAL

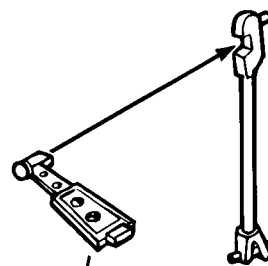
ASSEMBLY  
FROM STEP  
60



62

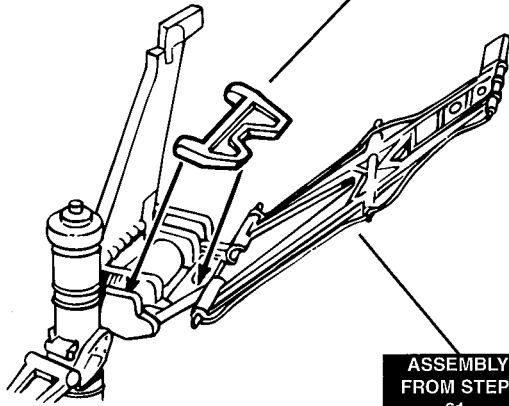
A104  
LEFT  
PARALLEL BRACE  
WHITE

A103  
LEFT  
JURY BRACE  
WHITE



63

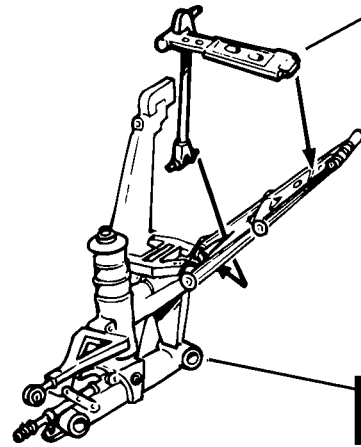
A97  
SIDE  
BRACE LINK  
WHITE



ASSEMBLY  
FROM STEP  
61

64

ASSEMBLY  
FROM STEP  
62

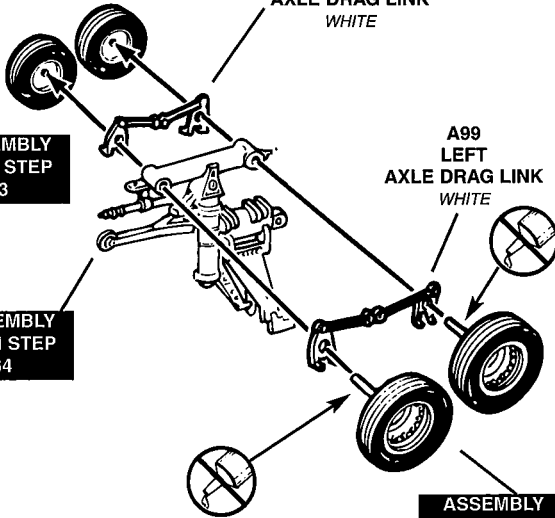


ASSEMBLY  
FROM STEP  
63

65

A98  
RIGHT  
AXLE DRAG LINK  
WHITE

A99  
LEFT  
AXLE DRAG LINK  
WHITE



ASSEMBLY  
FROM STEP  
53

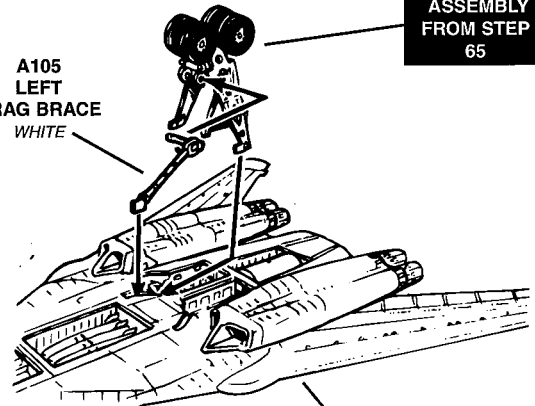
ASSEMBLY  
FROM STEP  
64

ASSEMBLY  
FROM STEP  
52

66

ASSEMBLY  
FROM STEP  
65

A105  
LEFT  
DRAG BRACE  
WHITE



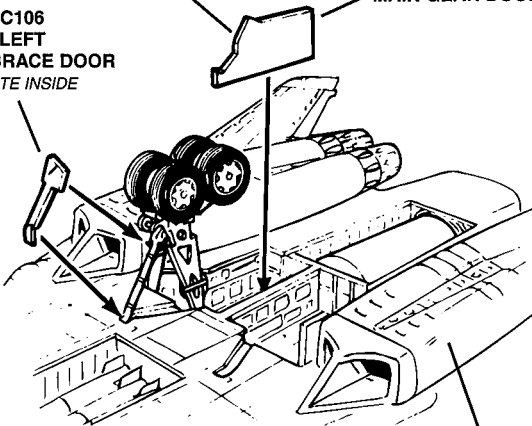
ASSEMBLY  
FROM STEP  
51

67

WHITE INSIDE

C107  
INSIDE LEFT  
MAIN GEAR DOOR

C106  
LEFT  
DRAG BRACE DOOR  
WHITE INSIDE

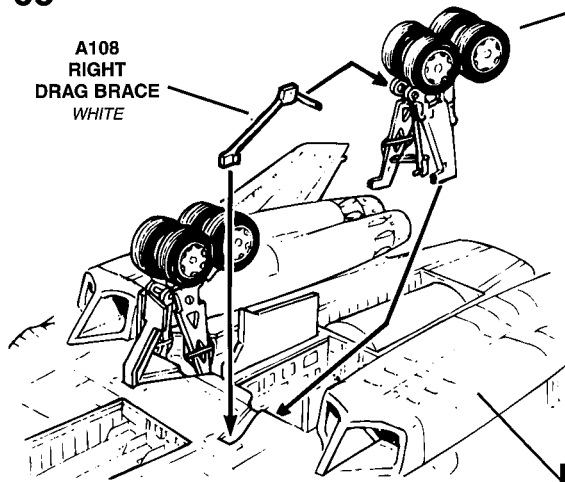


ASSEMBLY  
FROM STEP  
66

68

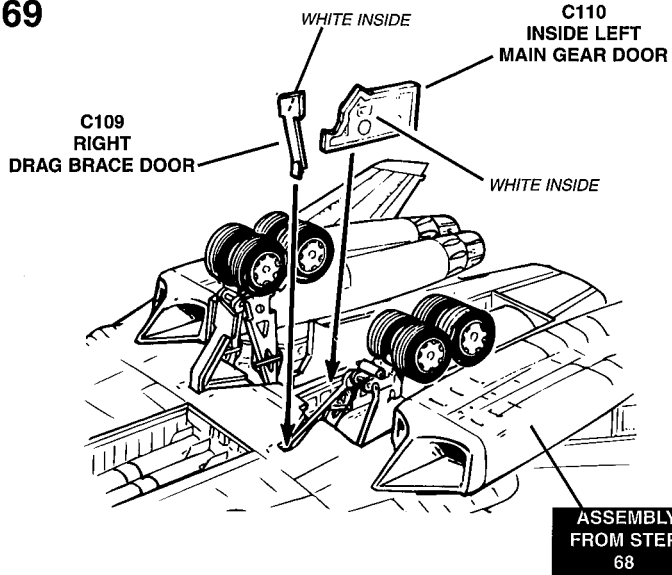
ASSEMBLY  
FROM STEP  
59

A108  
RIGHT  
DRAG BRACE  
WHITE

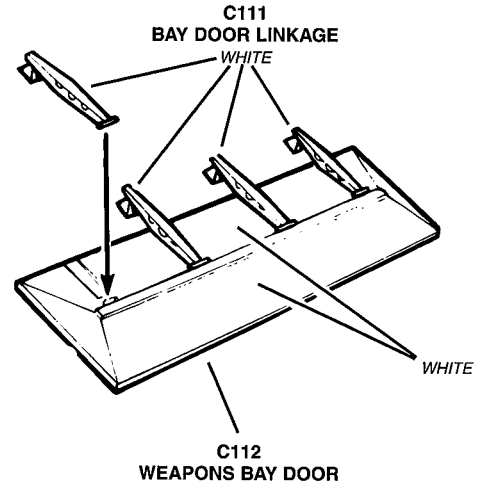


ASSEMBLY  
FROM STEP  
67

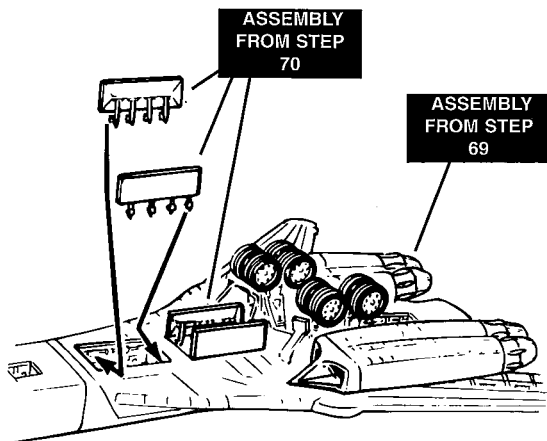
69



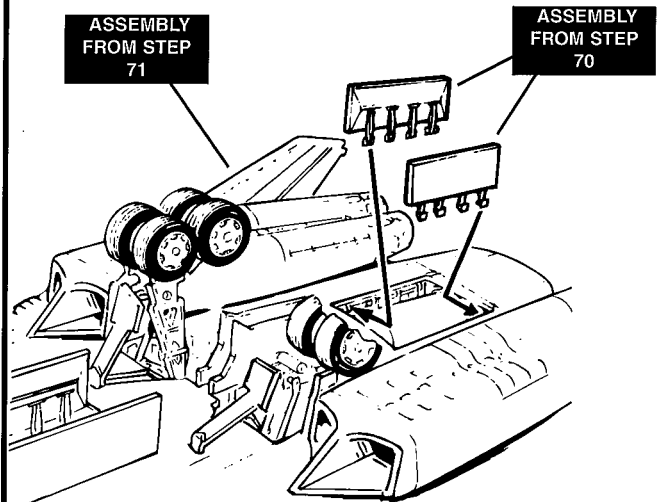
70 **6X**



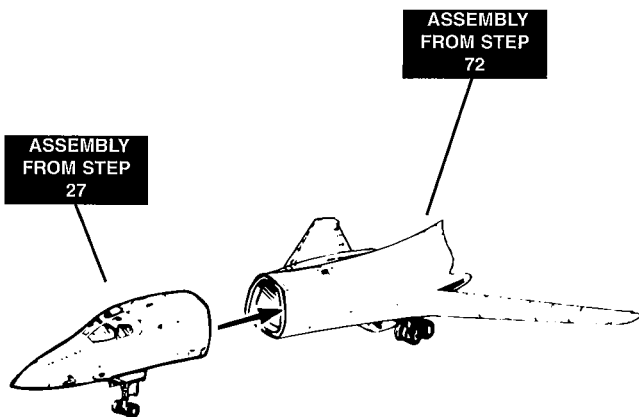
71



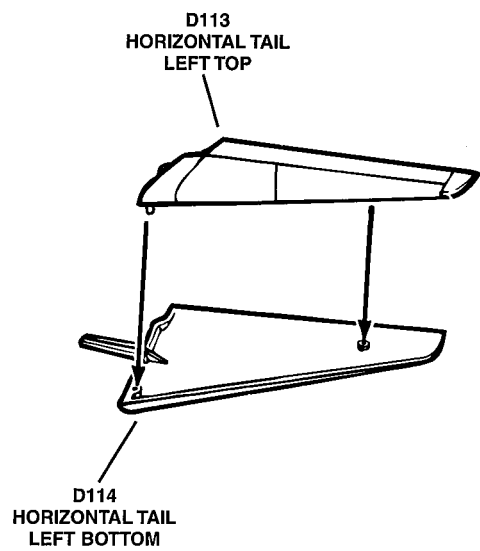
72



73

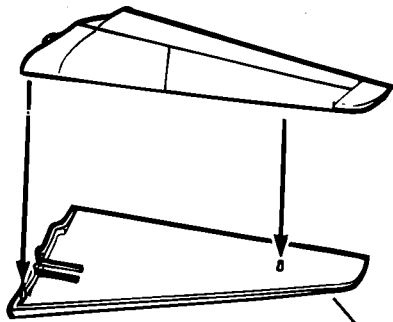


74



75

D116  
HORIZONTAL TAIL  
RIGHT BOTTOM

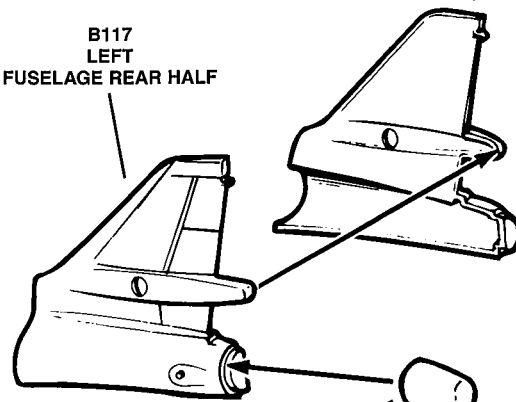


D115  
HORIZONTAL TAIL  
RIGHT TOP

76

B118  
RIGHT  
FUSELAGE REAR HALF

B117  
LEFT  
FUSELAGE REAR HALF

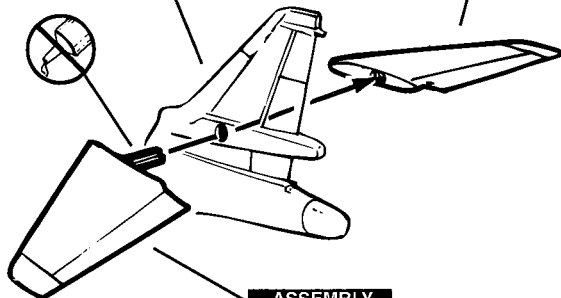


B119  
RADOME AFT

77

ASSEMBLY  
FROM STEP  
76

ASSEMBLY  
FROM STEP  
75

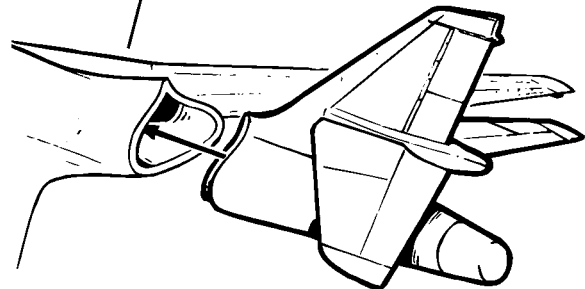


ASSEMBLY  
FROM STEP  
74

78

ASSEMBLY  
FROM STEP  
77

ASSEMBLY  
FROM STEP  
73



79

ASSEMBLY  
FROM STEP  
78



GUNMETAL

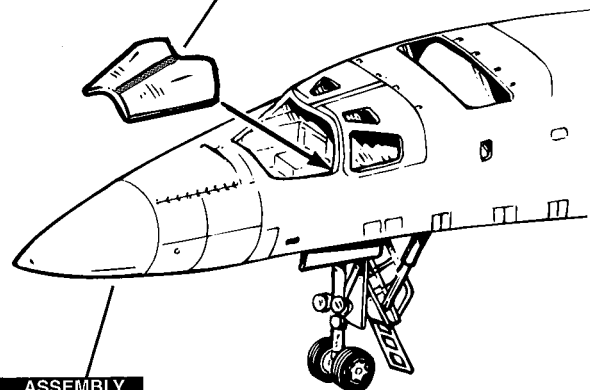
A120  
LADDER DOOR  
LINKAGE  
WHITE

(REPEAT FOR OTHER SIDE)

80

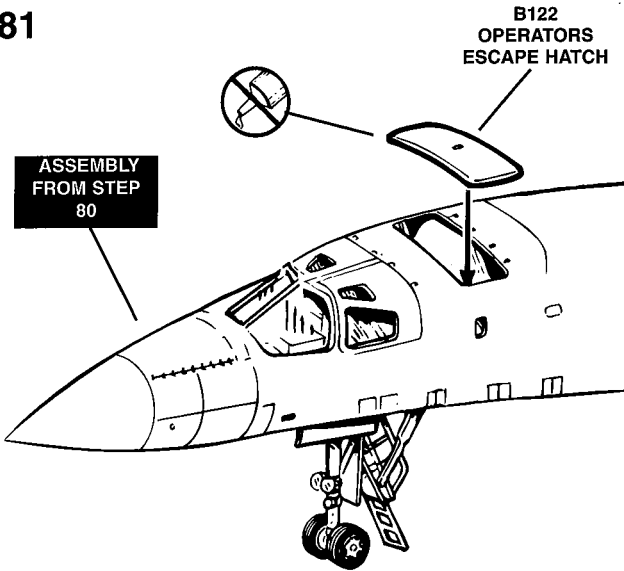
121  
WINDSHIELD  
CLEAR

(PAINT SHADED AREA FUSELAGE COLOR)

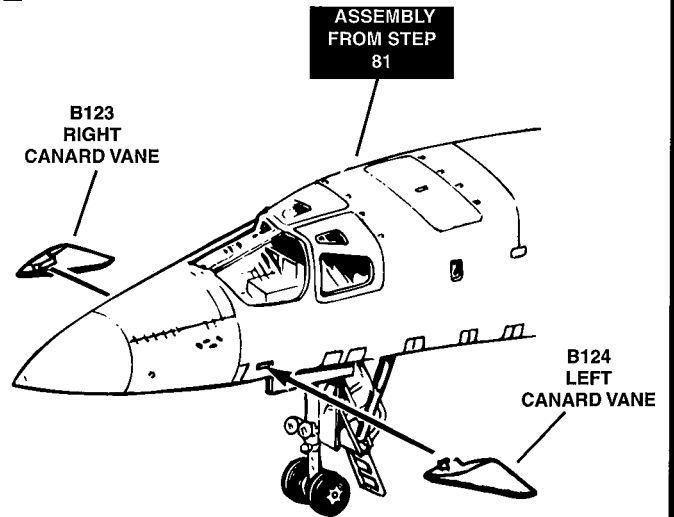


ASSEMBLY  
FROM STEP  
79

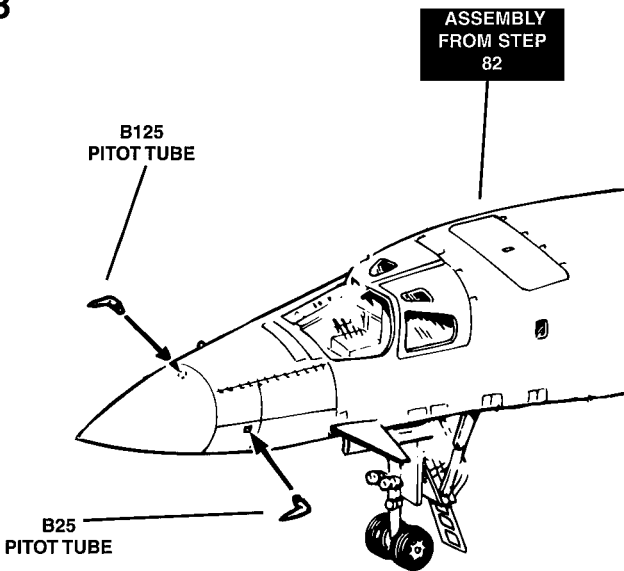
81



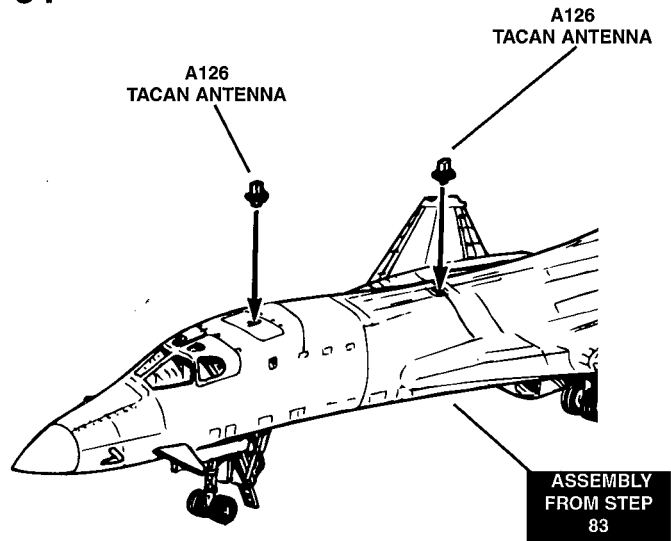
82



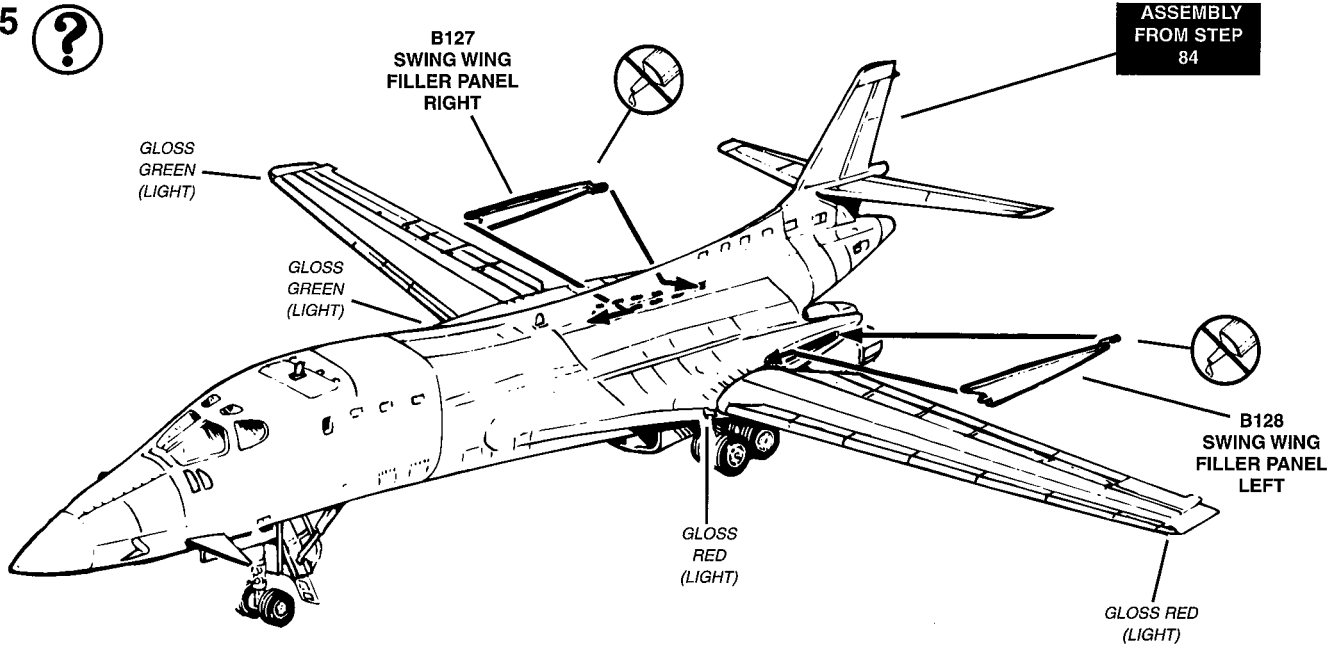
83



84



85



# B-1B BOMBER DECAL & PAINT GUIDE

