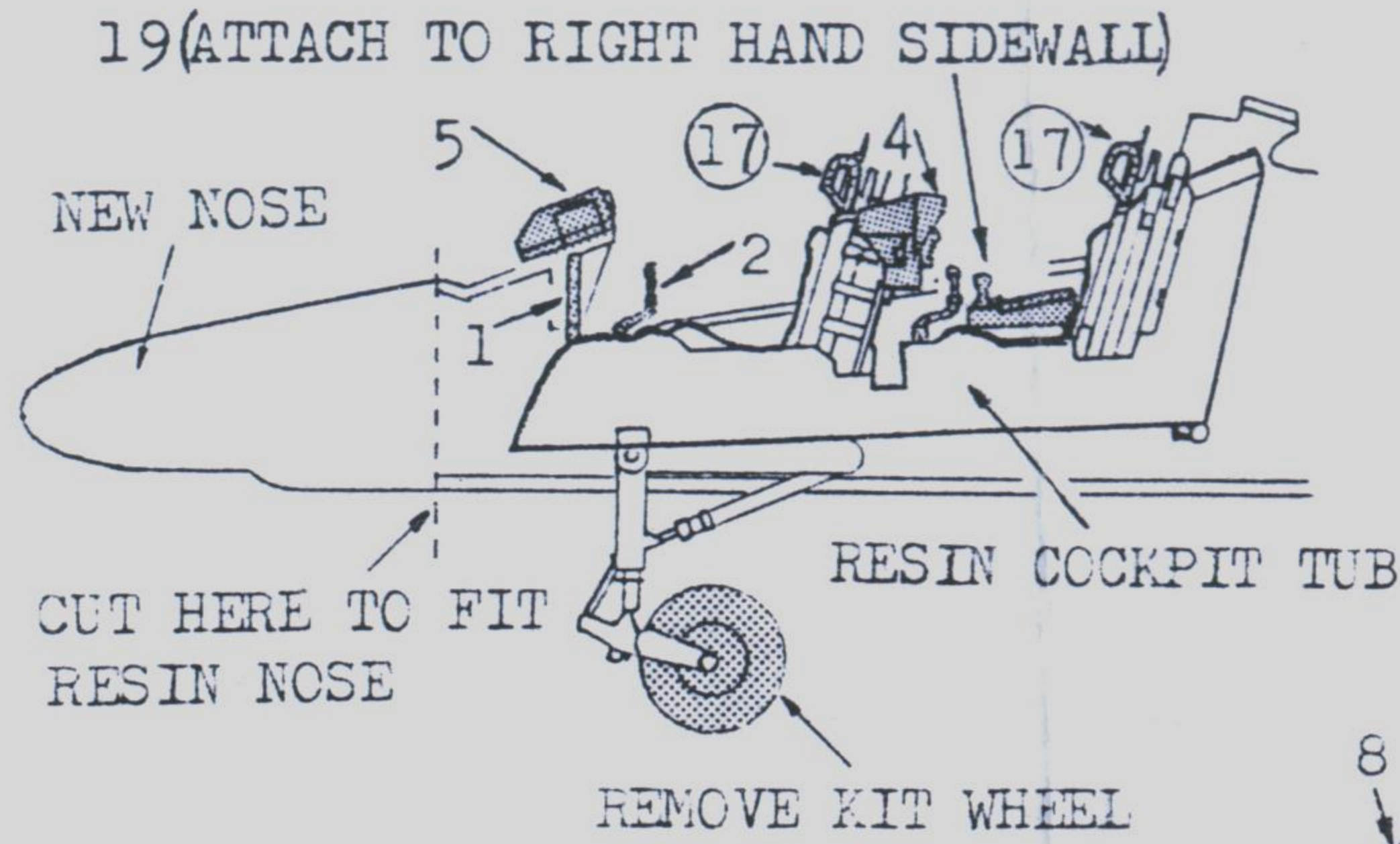
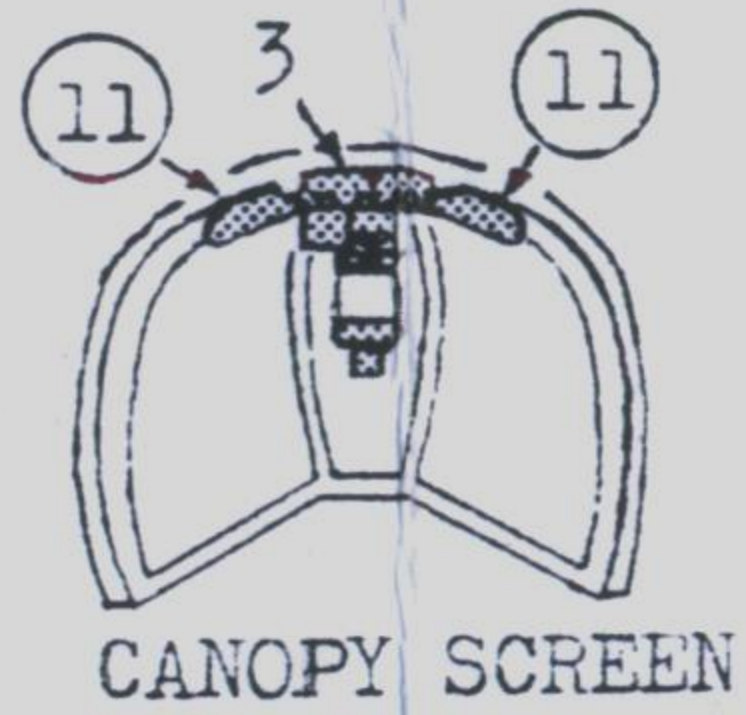


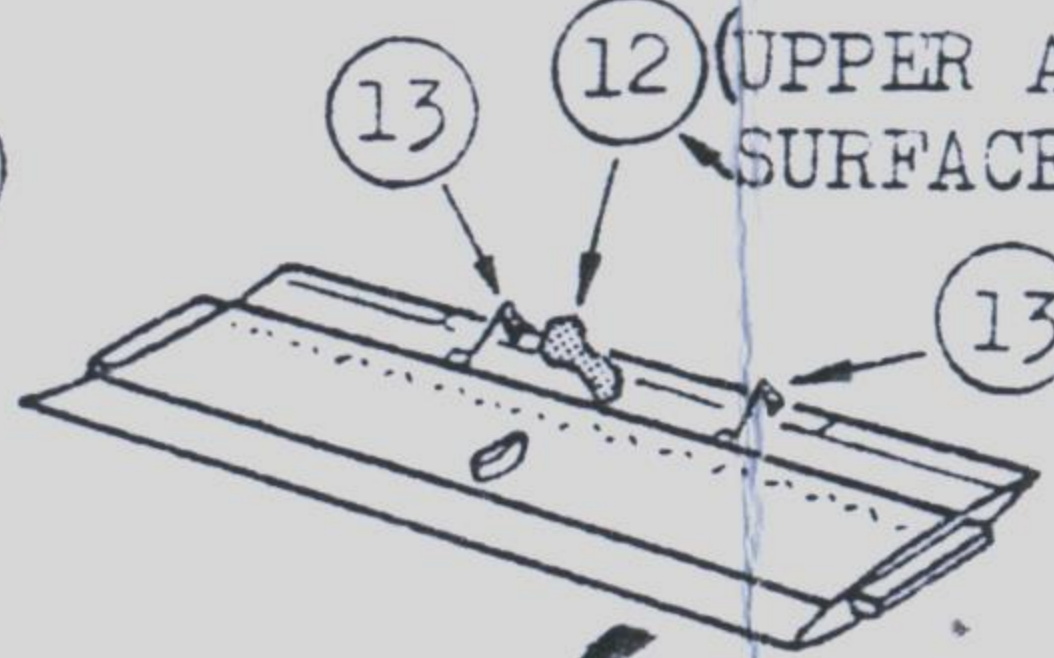
4891 OV-10D BRONCO CONVERSION



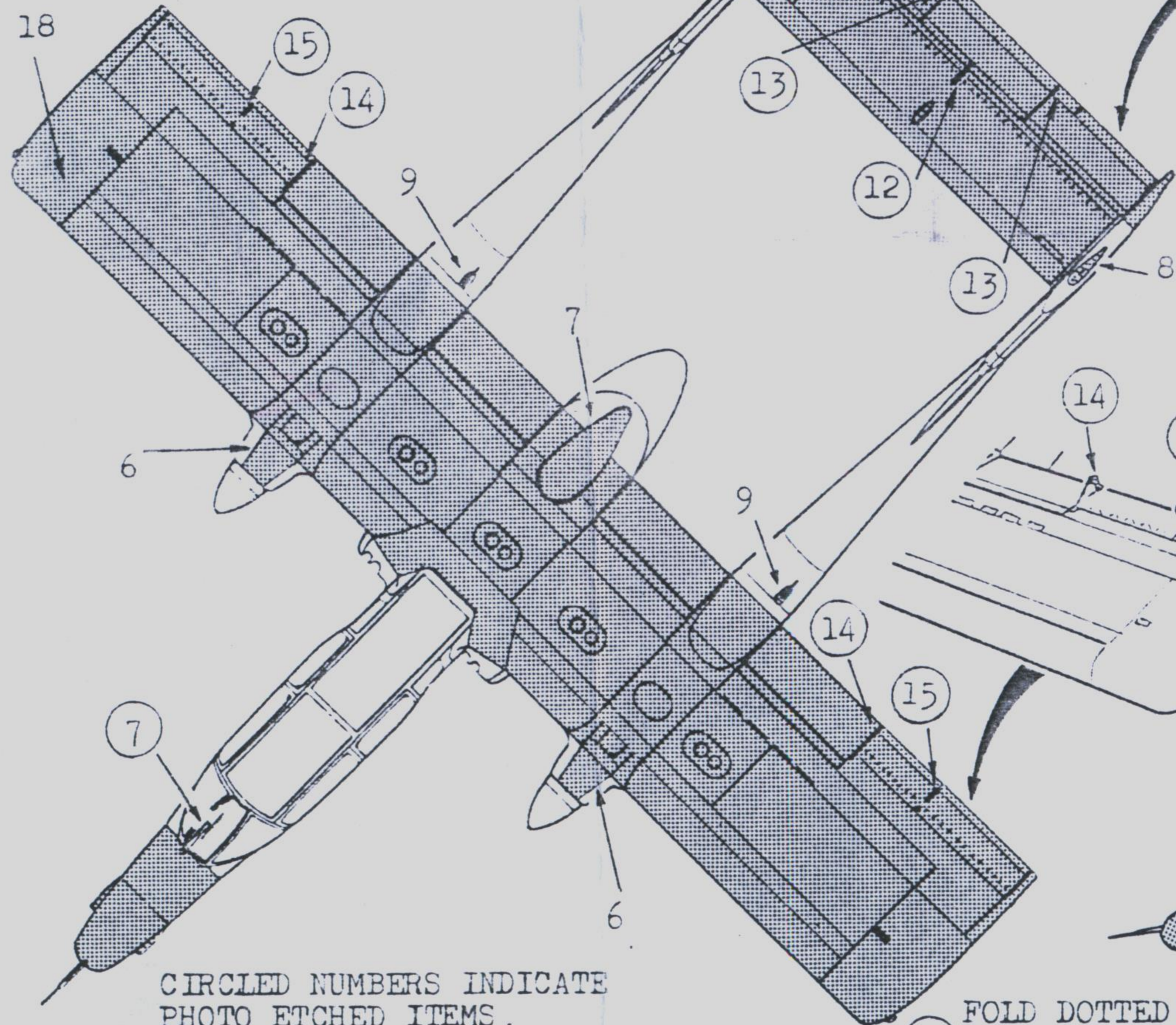
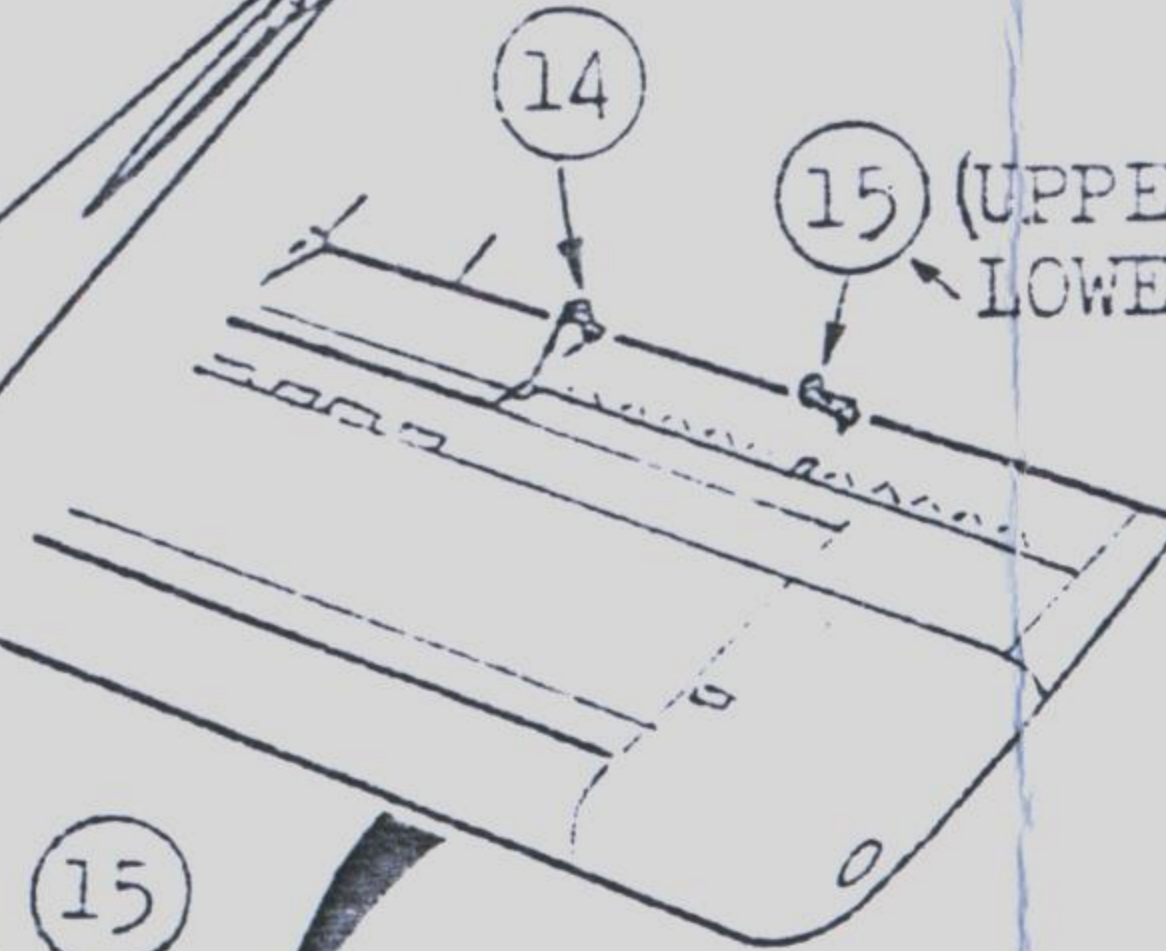
FRONT VIEW OF SEAT



(12) UPPER AND LOWER SURFACE.

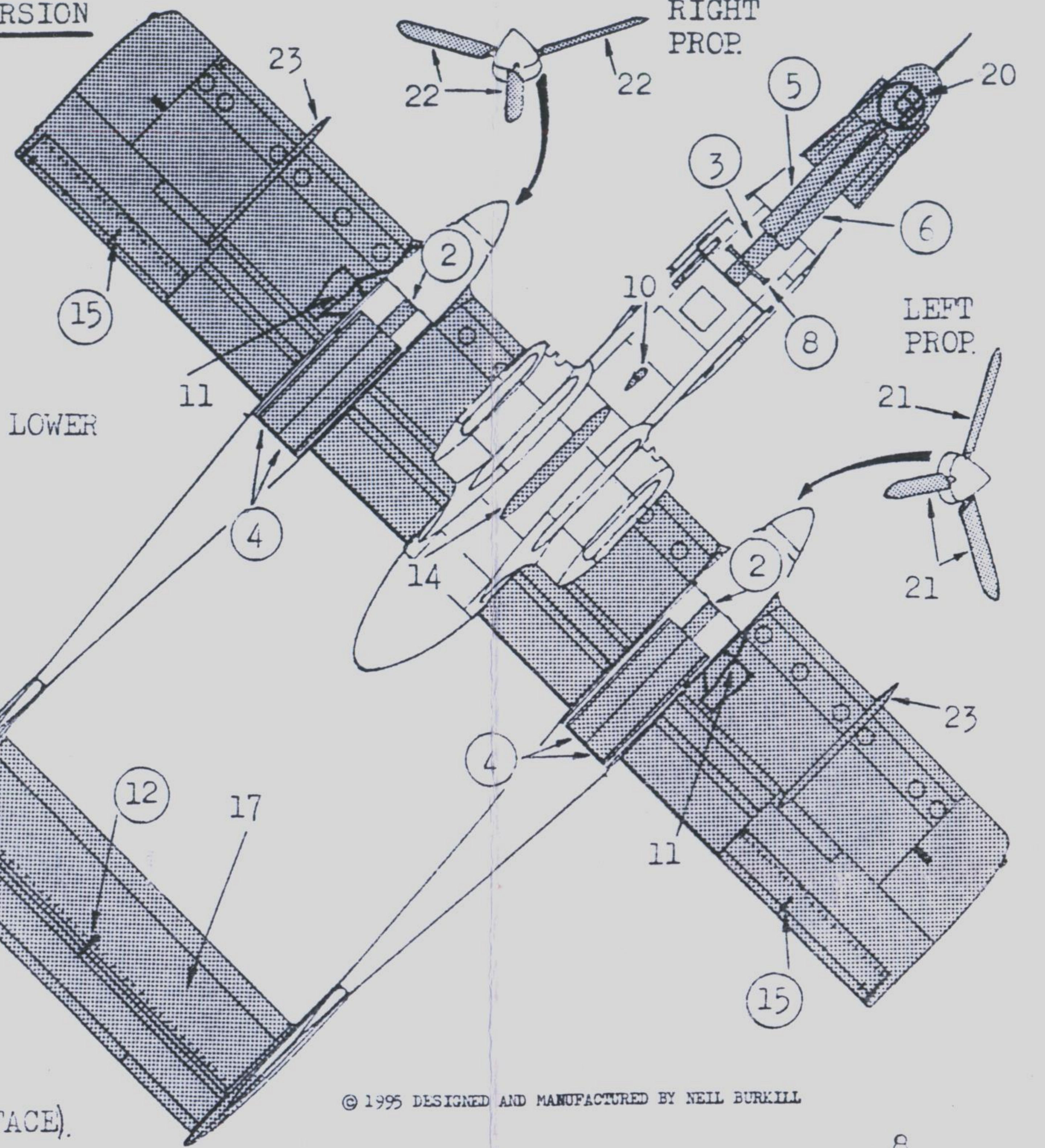


(15) (UPPER AND LOWER SURFACE).



CIRCLED NUMBERS INDICATE PHOTO ETCHED ITEMS.

FOLD DOTTED AREA (6) UP AND CUT 90°



© 1995 DESIGNED AND MANUFACTURED BY NEIL BURKILL

MAKE FROM 0.5mm PLASTICARD AND BLEND NOSE TO FUSELAGE (x2)

