

MR MODELS

MR-37

1:35



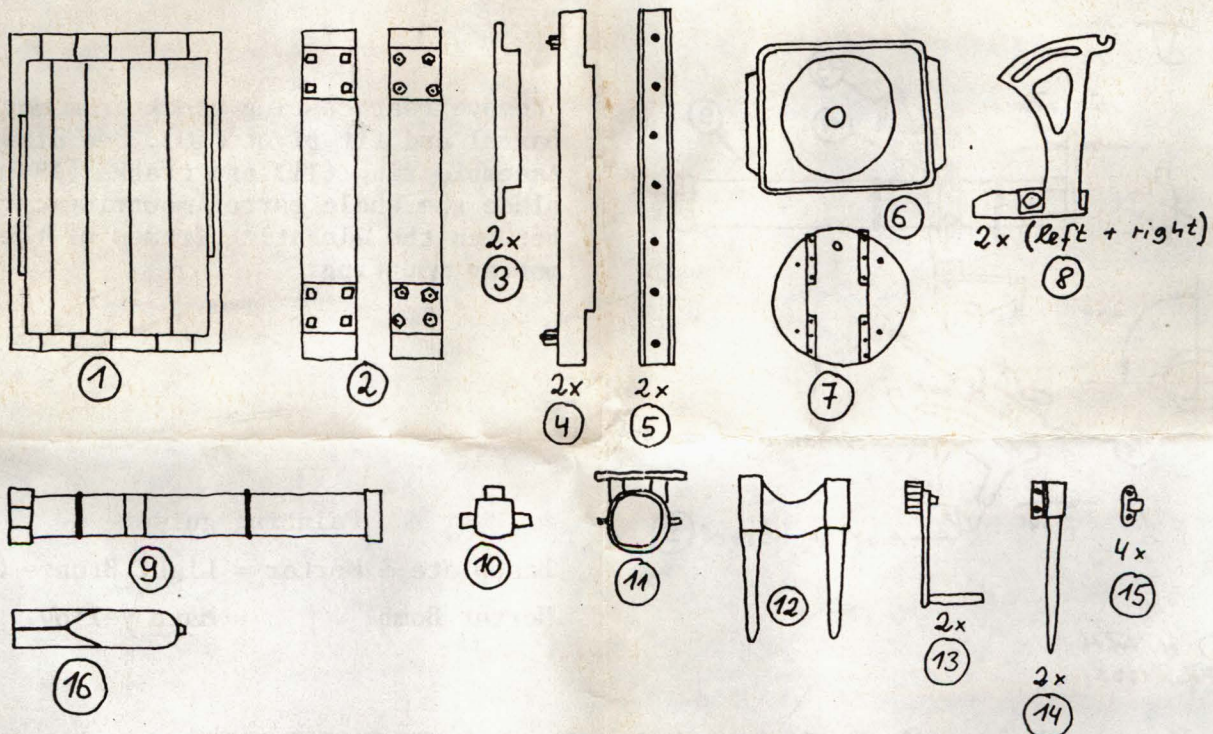
The „FLYING PIG” British 9.45inch Trench Mortar

In WW1 the British Army used a new type of artillery, a heavy Trench Mortar with 9.45inch calibre.

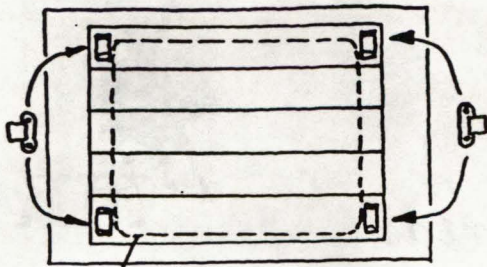
The British 9.45inch Mark I mortar was evolved in June 1916, on the model of the French 240mm (9.45inch) mortar. Drawings of this weapon had been borrowed in September 1915 by the British Government, and only eight months had been spent in developing of the new British design. Production of the longbarreled type Mark III did start in 1917, until the end of the war 162 Mark III mortars have been built.

The mortars were used on Western Front against heavily protected German emplacements and trench works. The British 9.45inch Trench Mortar Mark III fired a 179 lb. mortar bomb to a maximum range of 2265 yards. The Mark I mortar bomb with its bursting charge of Ammonal or Amatol demolished a length of 30 feet trench work or made a crater 10 feet deep and 30 feet across in compact earth.

Our model shows the 9.45inch Trench Mortar Mark III, which is on display in IWM Duxford Airfield. The model was constructed with the kindly assistance of the Duxford Museum. The model is a mixed resin/white-metal kit and must be glued with Cyanoacrylic-Superglue. For the painting of the assembled model we recommend a colour similar to British Light Bronze Green.

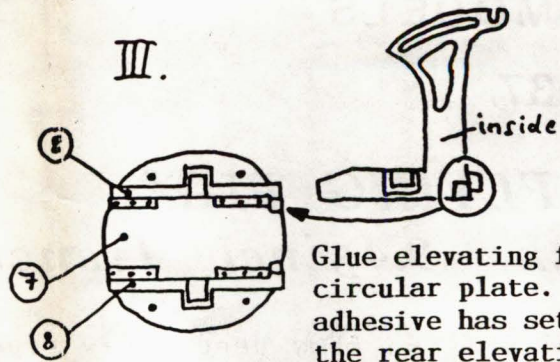


I.



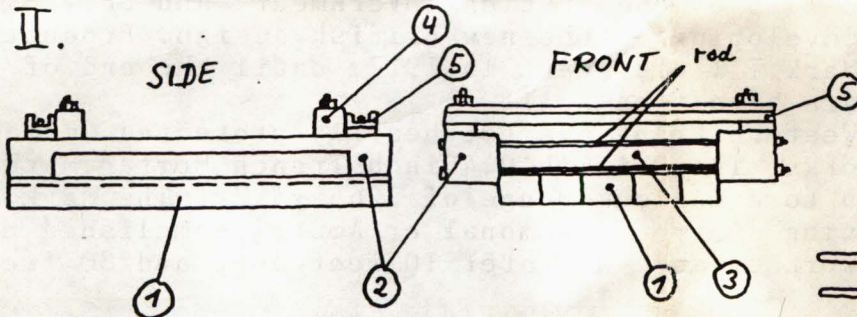
Fit mortar baseplate and glue 4 clamps as illustrated.

II.



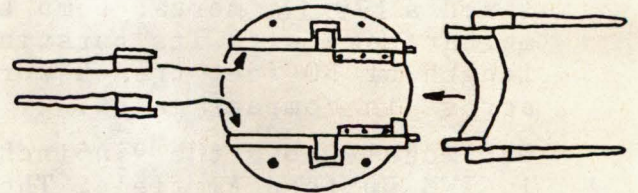
Glue elevating frames to circular plate. After the adhesive has set, attach the rear elevating handles (12) and front handles (14). Take care: See drawing IV.

II.

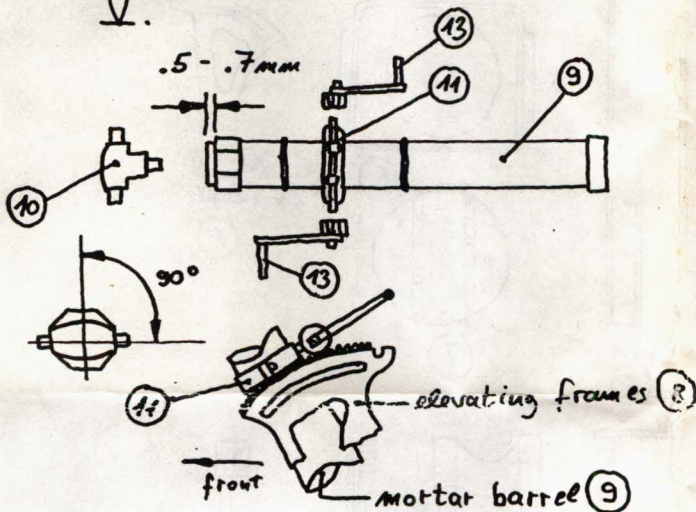


Glue main side beams (2) and beams (3&4) and U-rail (5) to baseplate. Cut 1mm dia. rods and fit on front sides as above.

IV.



V.



Remove rear casting block from mortar barrel and fit pivot (10). See drawing V. Assemble ring (11) and cranks (13) then place the whole barrel mounting carefully between the elevating frames of the mortar mounting.

Painting guide:-

Baseplate & Mortar = Light Bronze Green
Mortar Bomb = Matt yellow.

© H. Roth
Feb. 1995

Supplied by Scale Link Ltd., Rear of THE TALBOT HOTEL,
Blandford Road, Iwerne Minster, Dorset, DT11 8QN U.K.

Telephone & Fax (0) 1747 - 811817