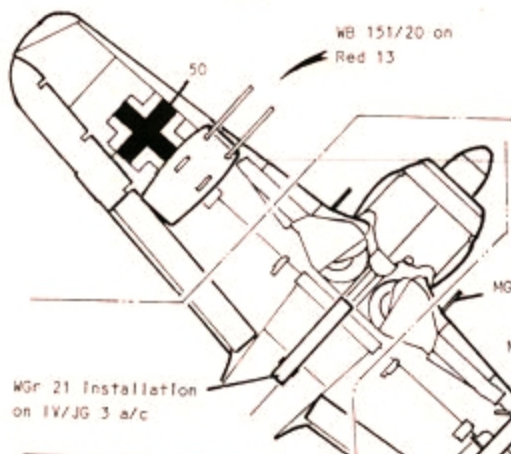
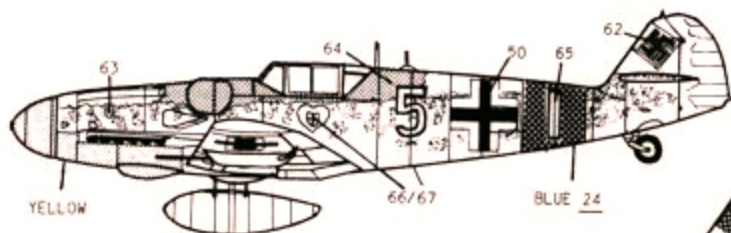
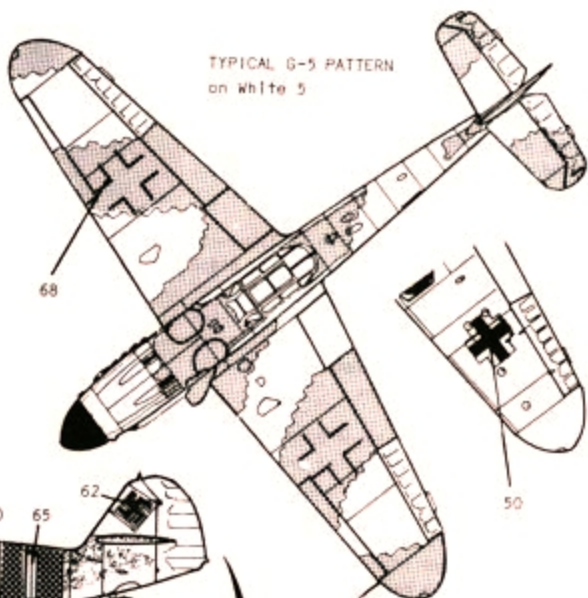


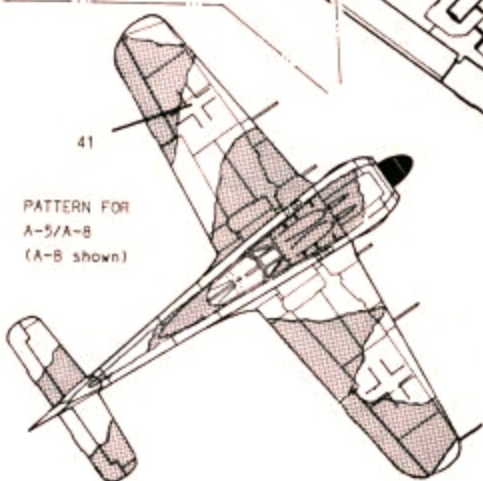
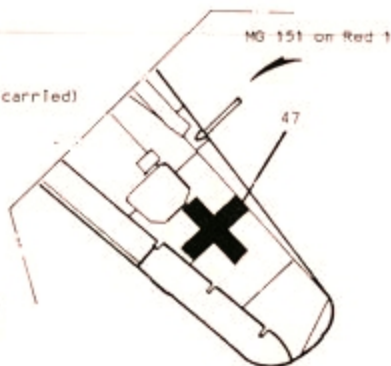
White 5 of 8/JG 54 presents an unusual sight as 8 Staffel usually marked their aircraft in reverse with a Black number and white outline. Operating from Schwerin-Goritz, the machine has undergone MG151/20 weapons and cowled MG131's.

Yellow spinner and undercowl area, Blue tail band and White Fin and Rudder, 74/75 uppers, 76 undersides, III grupe badge is applied in the centre of the JG 54 emblem on the port side under the cockpit. 8 Staffel badge faces aft on both sides of the upper cowl.

50 Underwing and fuselage crosses; 62 Swastika; 63 Sqn badge; 64 A/C number; 65 III grupe bar; 66 Green Heart (JG 54); 67 III grupe badge; 68 Upper cross.



WGr 21 Installation on IV/JG 3 a/c



PATTERN FOR A-5/A-8 (A-B shown)

YELLOW



74



## ALMARK DECALS

Fw 190A & Bf 109G  
SHEET C10  
REICHS DEFENCE

E.D. MODELS., 64 STRATFORD ROAD,  
SHIRLEY, SOLIHULL B90 3LP,  
ENGLAND. Tel: 021-744-7486

Research by Les Whitehouse. ©

Flown by Kommandeur Anton Hackl of III/JG 11. 192 victories plus 24 unconfirmed, 32 four engined bombers. This aircraft was used against bombers with a Bf 109G-6 for fighter attacks. Note Adjutants chevron rather than 'double winkel' of Kommandeur on this aircraft.

74/75 uppers, 76 unders, white tail, oversprayed swastika, yellow JG 11 fuselage band. Black/white spinner seen both halved and with spiral.  
40 Undersurface cross; 41 Uppersurface cross;  
51 Fuselage cross; 53 Chevron; 69 III gruppe bar;  
54 Rudder markings; 56 Badge under cockpit represents roaring dragon.

As an alternative, Red 13 of 2/JG 11 in late 1943, flown by Staffelfapt, Lt Erich Hondt. Camouflage and colour bands similar to Hackl's machine but more of the fuselage in white and only the white of the swastika overpainted. Yellow stripe flows from the upper cowl ring to the wing fairing each side. Cowl badge believed to be that retained from 8/JG 1 when I gruppe/JG 11 was formed at Husum. Shows German student in university cap using U.S. top hat as a toilet. Spinner 70 with yellow segment and white spiral. This A/C is an A-5/U-12 equivalent.  
55 unit badge; 50 Undersurface cross replaces 40;  
57 fuselage cross replaces 51; 58 A/C number;  
59 kill marks (10); 60 Serial; 61 Fuselage stripes; 52 Swastika.

Red 17 of IV (Sturm)/JG 3 operating from Ansbach on anti-bomber missions and flown by FJfW (Fahnenjunker Feldwebel) Willi Unger. Equipped with 2 x MG151, 2 x MK108 in the wings and no cowl guns but also equipped with a rearward firing WGr 21 tube under the fuselage. Unger later became the Staffelfapt of 12/JG 3, survived by parachute at least once and was credited with 22 victories, 19 of them four engined bombers. The WGr 21 units were removed in August 1944.

74/75 uppers, 76 unders, black cowl, red/yellow spiral spinner, white JG 3 band, Black IV gruppe marking. 40 Underwing cross; 41 Upperwing cross; 42 Fuselage cross; 43 Swastika; 44 IV gruppe marking; 45 A/C number; 46 Fuselage flash.

As an alternative, Red 1 of the same unit with 4 x MG151 in the wings, no cowl guns, and an underbelly WGr 21. Salzwedel based with Bf 109's. Crosses on the underside are plain black. White areas on fuselage cross oversprayed, Dark Red 28 cowl and spinner with a yellow spiral.  
47 replaces 40; 48 replaces 42; 49 replaces 45.

