

A-10A KUWAIT HIGHWAY PATROL

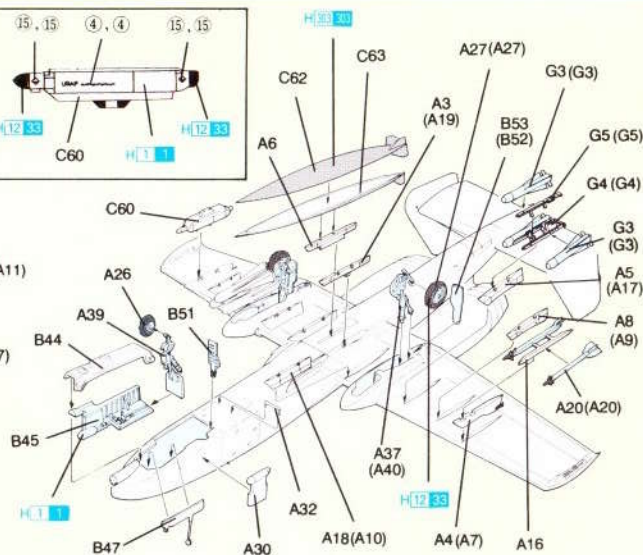
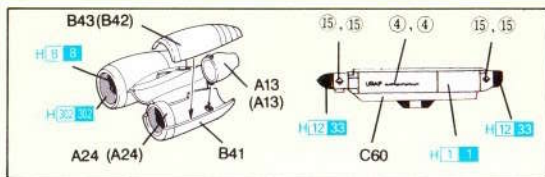
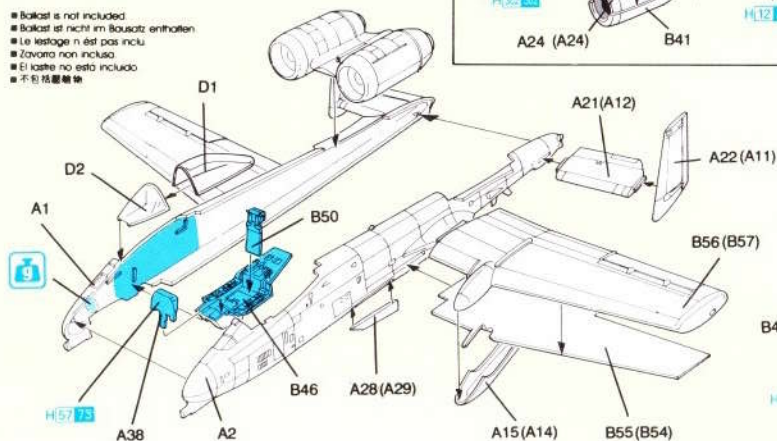
A-10A 攻击机(海湾战争)

ASSEMBLY INSTRUCTION

組合說明



- Bolavci ne su uključeni
- Bolavci su nicht im Bausatz enthalten
- Le laste ne est pas inclu
- Zavora ne include
- El laste no esta incluido
- 不包括螺絲釘



MARKING AND PAINTING

標貼及著色指示

1. Clean model surface with wet cloth
2. Cut each design out of decal sheet and dip them in warm water for 20 seconds
3. Check with finger tip if design is loose on base paper. If so, place it on proper position on model and slide off base paper leaving design on model
4. Move design to exact position with wet finger tip, and push out excess water and air bubbles under decal with soft cotton cloth
5. When decals get dry, wipe off with wet cloth excess glue left around decals

■ 貼上水印標貼的正確方法：

將各標貼從紙上切出，浸入溫水中(約10秒)，再放到模型表面正確位置上，將底紙移去，用柔軟的布輕壓，確保效果完美。

H 1 GUNZE SANGYO AQUEOUS HOBBY COLOUR ■ GUNZE SANGYO MR COLOUR

ITALERI PAINT NO

H1 1	WHITE	白色	H57 7	AIRCRAFT GRAY	深灰色
H1 3	SILVER	銀色	H101 11	DARK GRAY FS 30087	飛機灰
H12 13	FLAT BLACK	啞黑色	H103 13	DARK GREEN FS 34092	深綠色
H10 26	STEEL	黑藍色	H105 15	GREEN FS 34102	綠色

