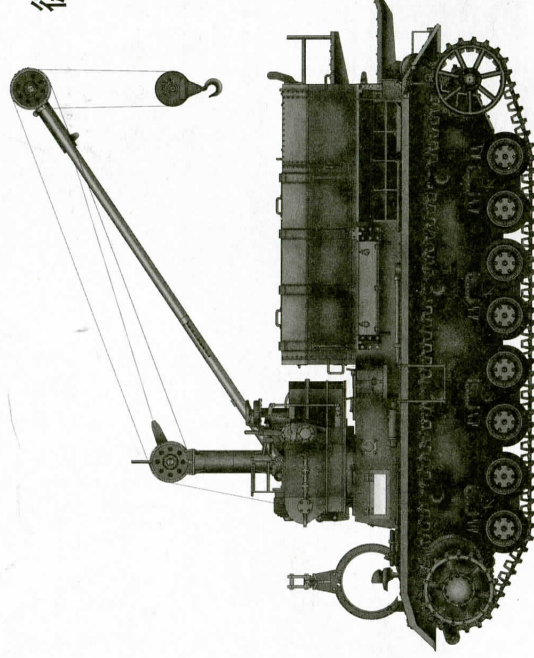


German Pz.Kpfw IV Ausf F Fahrgestell

德国四号F型弹药运输车



READ BEFORE ASSEMBLY:

- This kit is not recommended for inexperienced modelers or for children under 14 years of age
- Study and understand these instructions thoroughly before beginning assembly
- When needed, remove photo-etch parts carefully using a modeling knife or photo etch sprue cutter, being careful not to damage or lose small parts.
- Take extra care in handling photo etch parts in order to avoid injury
- Apply instant cement sparingly to photo etch parts where instructed
- Tools recommended(not included in kit):Plastic and instant cements,sprue cutters,long nose pliers,,modeling knife, small files, tweezers, pin vise & scissors. Soft cloth and sandpaper will also assist in construction
- Glue and paint are not included in the kit. Use plastic cement and hobby paints only. Color guide for purchasing paint is included in the kit.
- Keep out of reach of children. They must not be allowed to ingest small parts or handle plastic bags in any way.

装配之前仔细阅读

- 小心用模型锉刀锉平所有零件表面的注射浇口。
- 小心用刀片切下蚀刻片零件，不要遗失小零件。
- 用强力快干胶水粘合蚀刻片零件和金属轴。过量的快干胶水使用可能导致可动零件会粘住，小心涂胶。
- 取蚀刻片时应特别注意安全，防止利边划伤手指。
- 某些零件表面需贴水上贴纸，请选择在装配的同时进行。
- 推荐模型工具（自备）：胶水，水口剪刀，长咀钳，刀片，锉刀，镊子，钳，钻，剪刀，瞬间快干胶。
- 软布同砂纸同时也应该是必备工具。
- 请使用塑料胶水和油漆，模型内不含。
- 谨防小孩吸吮塑料零件，或者将塑料袋套在头上，制作时应将套材远离小孩接触。
- 本产品不适合14岁以下没有经验的模型爱好者。



贴纸
Decal



锉平
File / Sand



配重
Weight



钻孔
Make hole



选择
Option



不涂胶水
No cement



弯曲
Bend



切除
Cut / Remove



使用强力胶
Cyanoacrylate glue

水贴纸的使用:

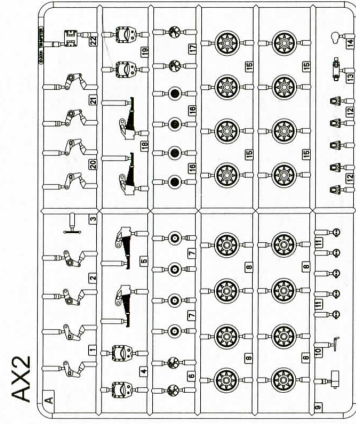
1. 从水贴纸上剪下印花;
2. 将印花放入温水中浸10秒, 然后放在干净布上。
3. 拿着印花纸板将印花移到模型上;
4. 手指蘸水将印花移到适当的位置;
5. 用软布轻压印花直至水干, 气泡消失。

DECAL APPLICATION

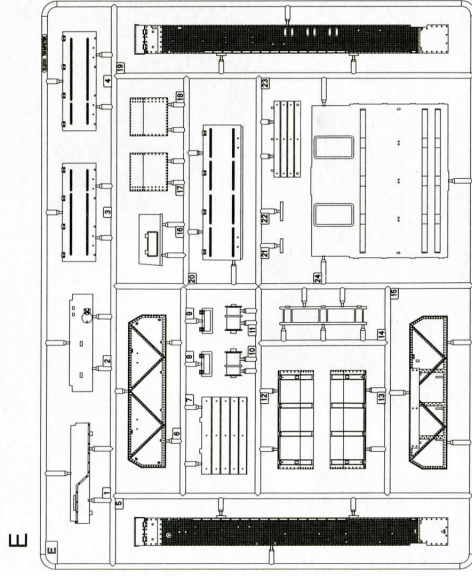
1. Cut off decal from sheet.
2. Dip the decal in tepid water 40°C for about 10 sec. and place on a clean cloth.
3. Hold the backing sheet edge and slide decal onto the model.
4. Move decal into position by wetting decal with finger.
5. Press decal gently down with a soft cloth until excess water and air bubbles are gone.
6. Allow decal to dry completely before handling model.

部品图

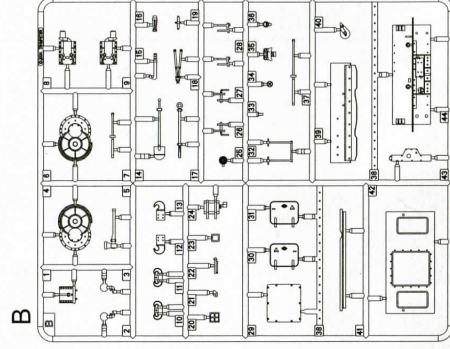
Parts



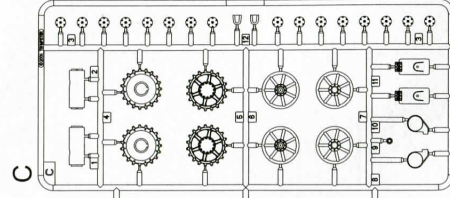
AX2



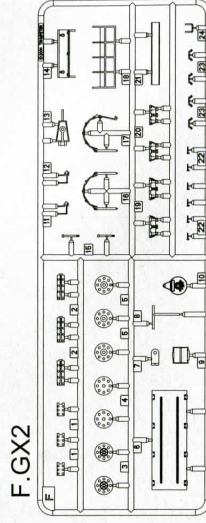
E



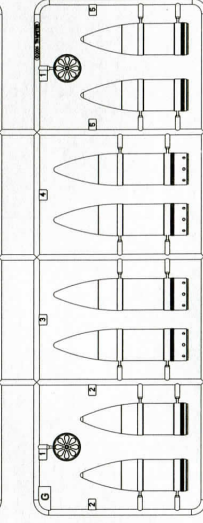
B



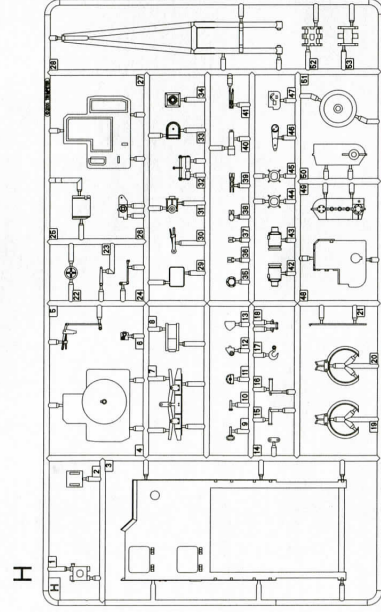
C



F.GX2

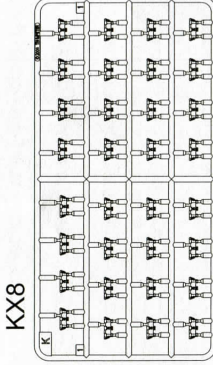


G

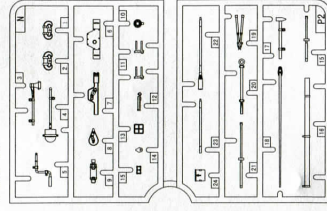


H

KX8

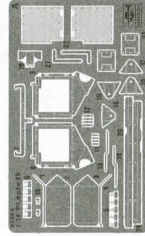


N.P2

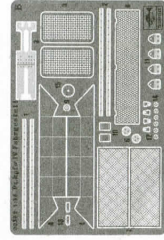


蚀刻片

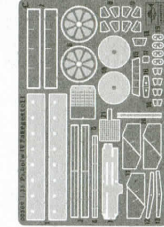
Photo etched part(PE)



A



B



C

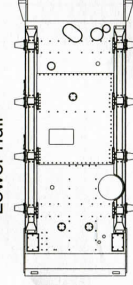


D



F

车底
Lower hull



弹簧X4
SpringX4

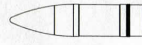
铜钉X6
Tackx6



铜丝 ϕ 0.3X100mm 铜丝 ϕ 0.5X100mm
Brass wire Brass wire



金属炮弹
Metal shell



透明片(PVC)
Transparent parts



履带X2

TrackX2

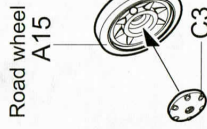


棉绳: ϕ 0.8x100cm
Rope: ϕ 0.8x100cm



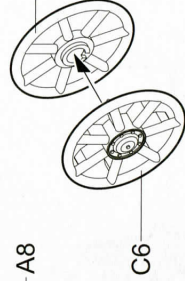
1 车轮组装
Wheels assembly

《负重轮》
Road wheel



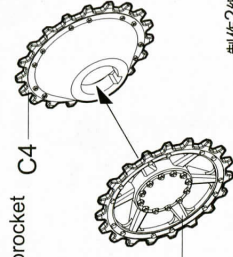
制作8组
Make twelve

《诱导轮》
Idler wheel



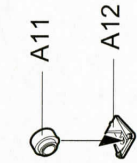
制作2组
Make two

《驱动轮》
Driver sprocket

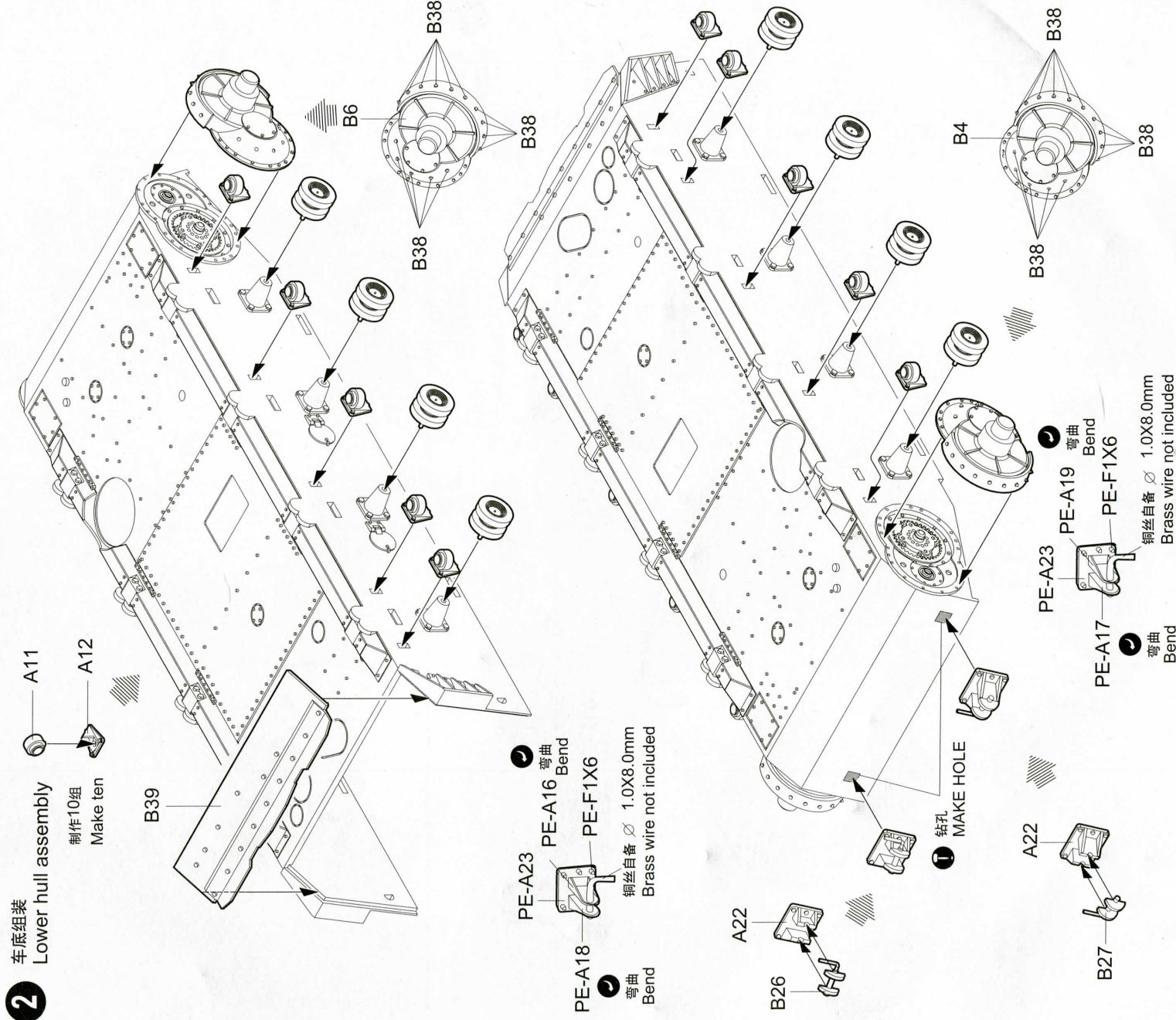


制作2组
Make two

2 车底组装
Lower hull assembly



制作10组
Make ten

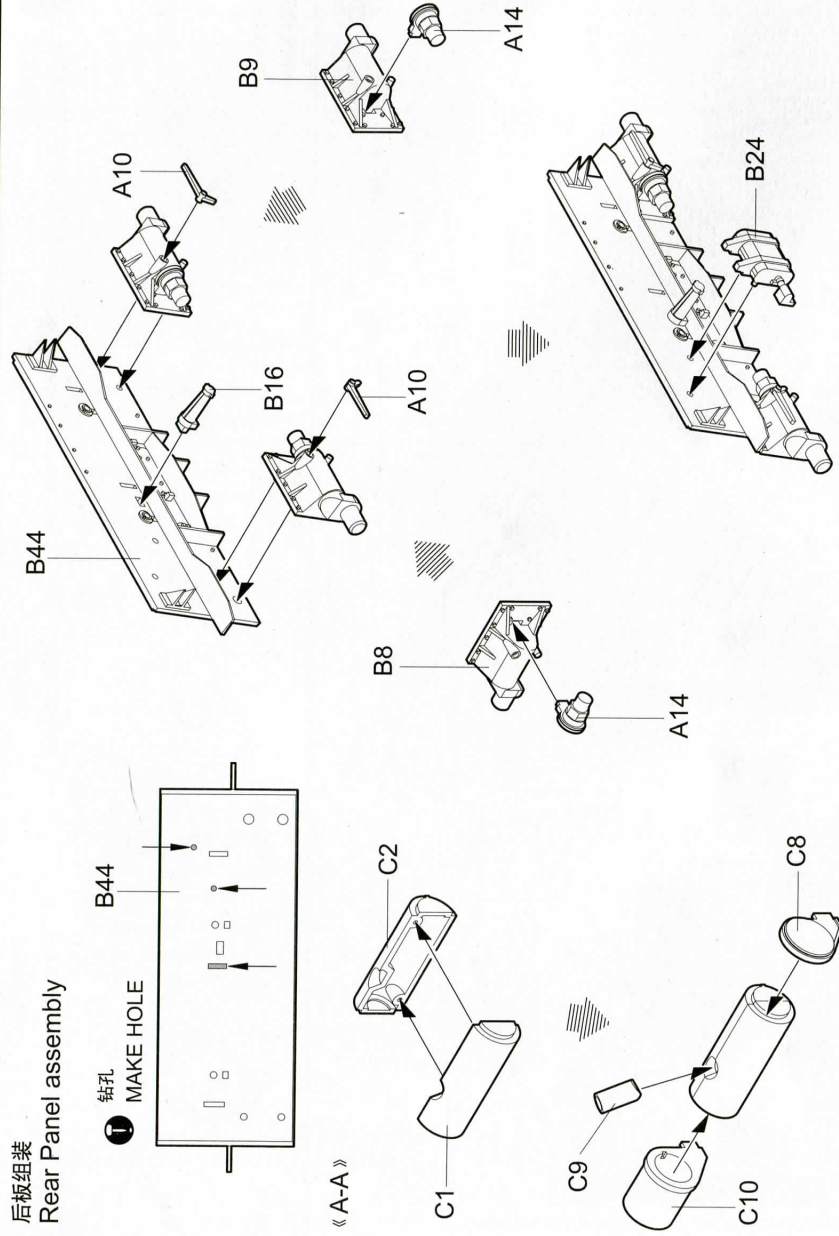


PE-A16 弯曲 Bend
PE-F1X6 铜丝自备 \varnothing 1.0X8.0mm
Brass wire not included

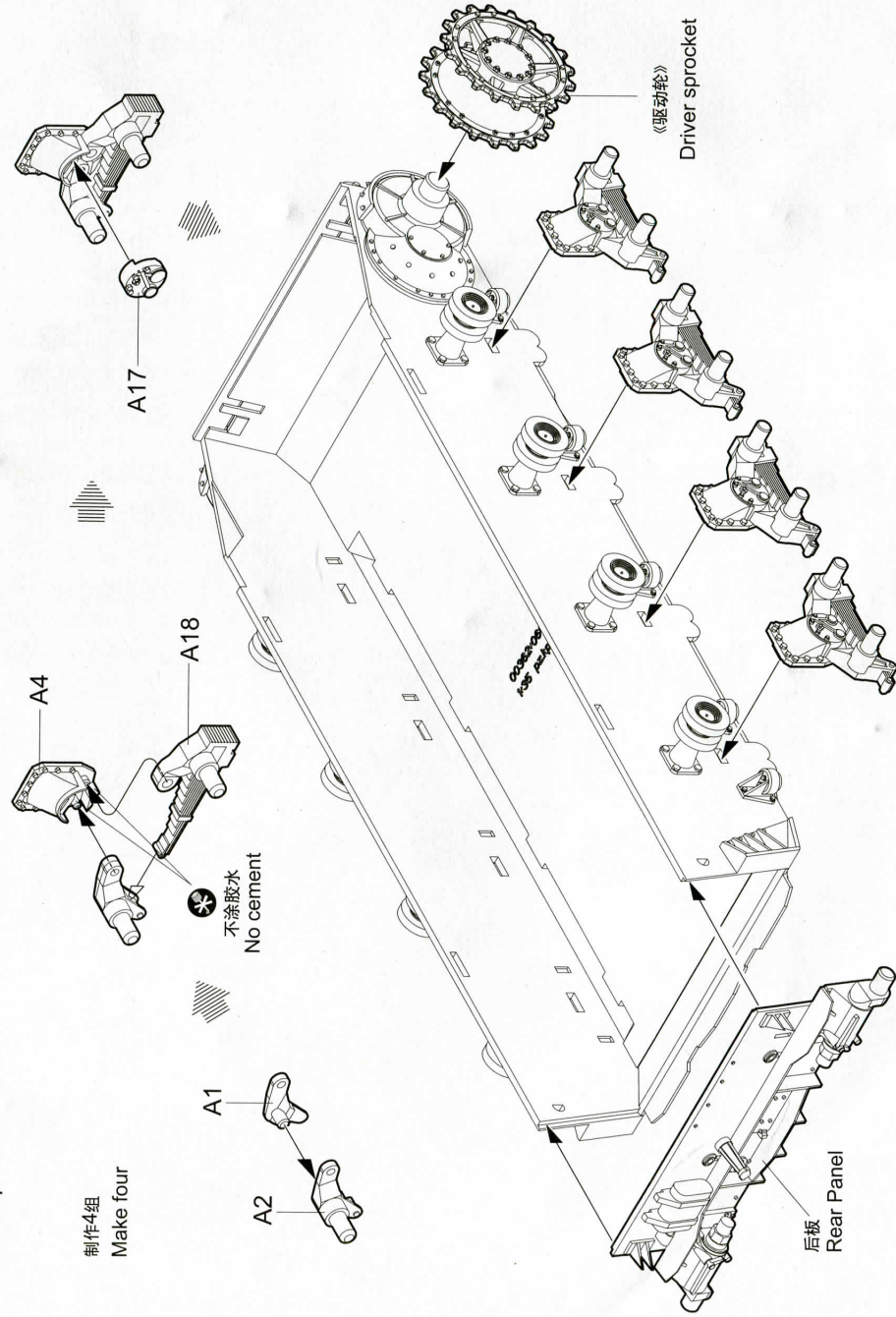
PE-A17 弯曲 Bend
PE-A19 弯曲 Bend
PE-F1X6 铜丝自备 \varnothing 1.0X8.0mm
Brass wire not included

1 钻孔 MAKE HOLE

3 后板组装
Rear Panel assembly

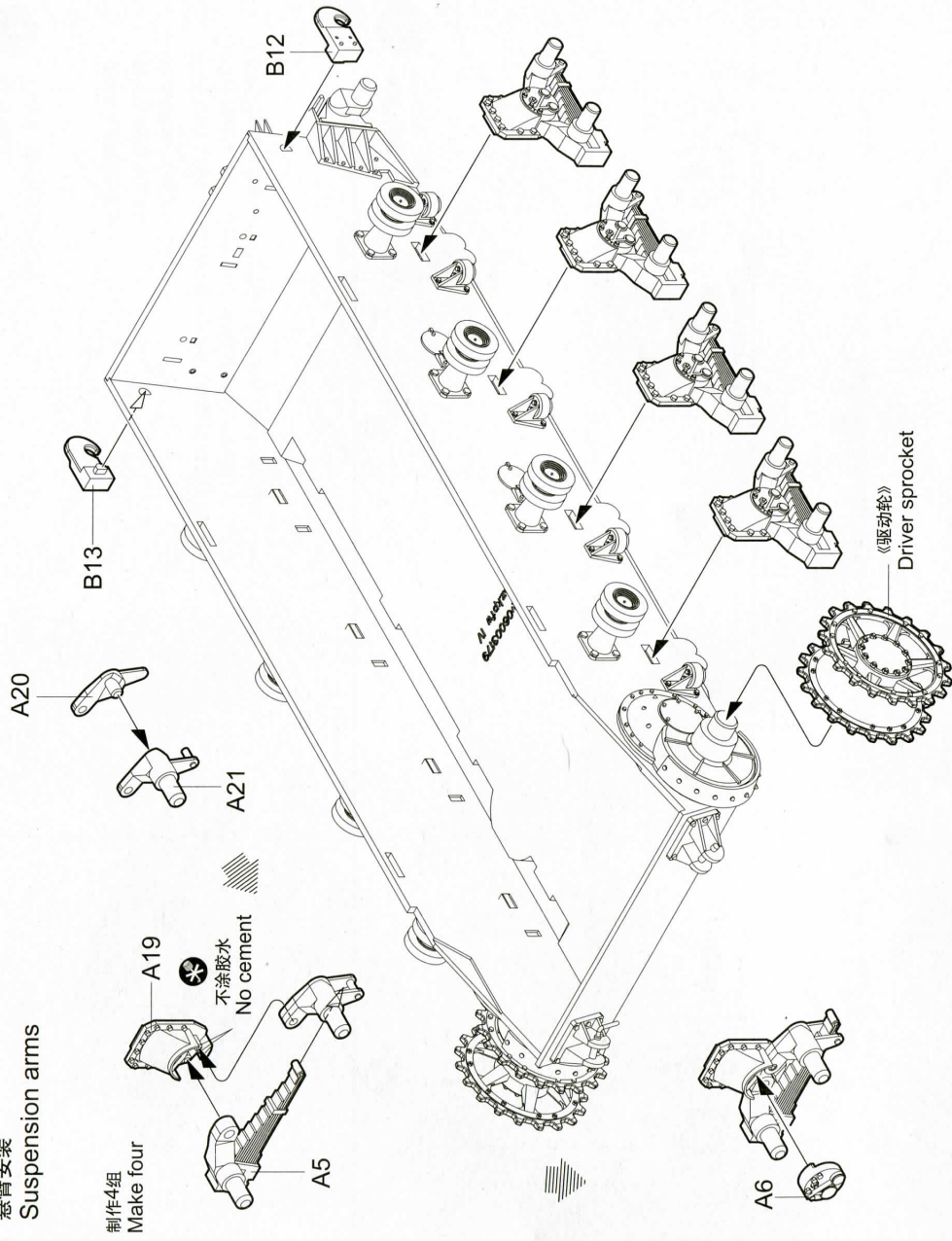


4 悬臂安装
Suspension arms



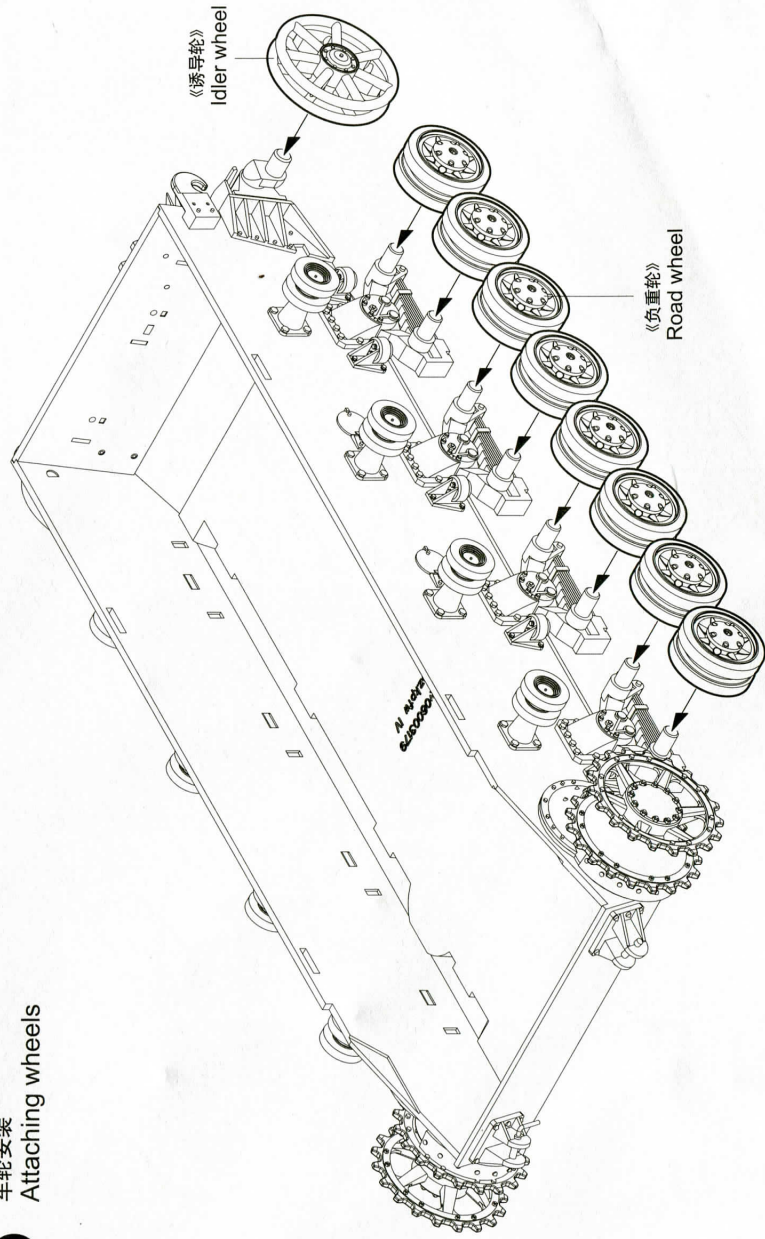
5

悬臂安装
Suspension arms

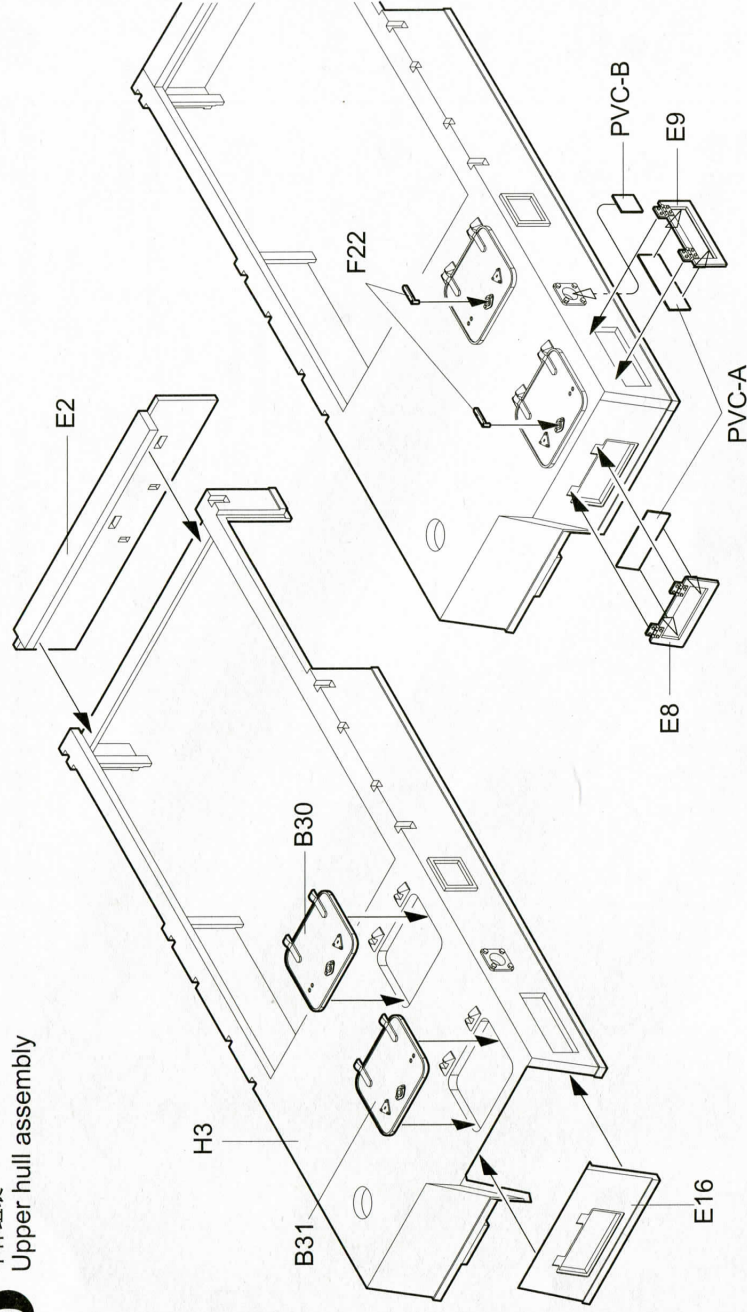


6

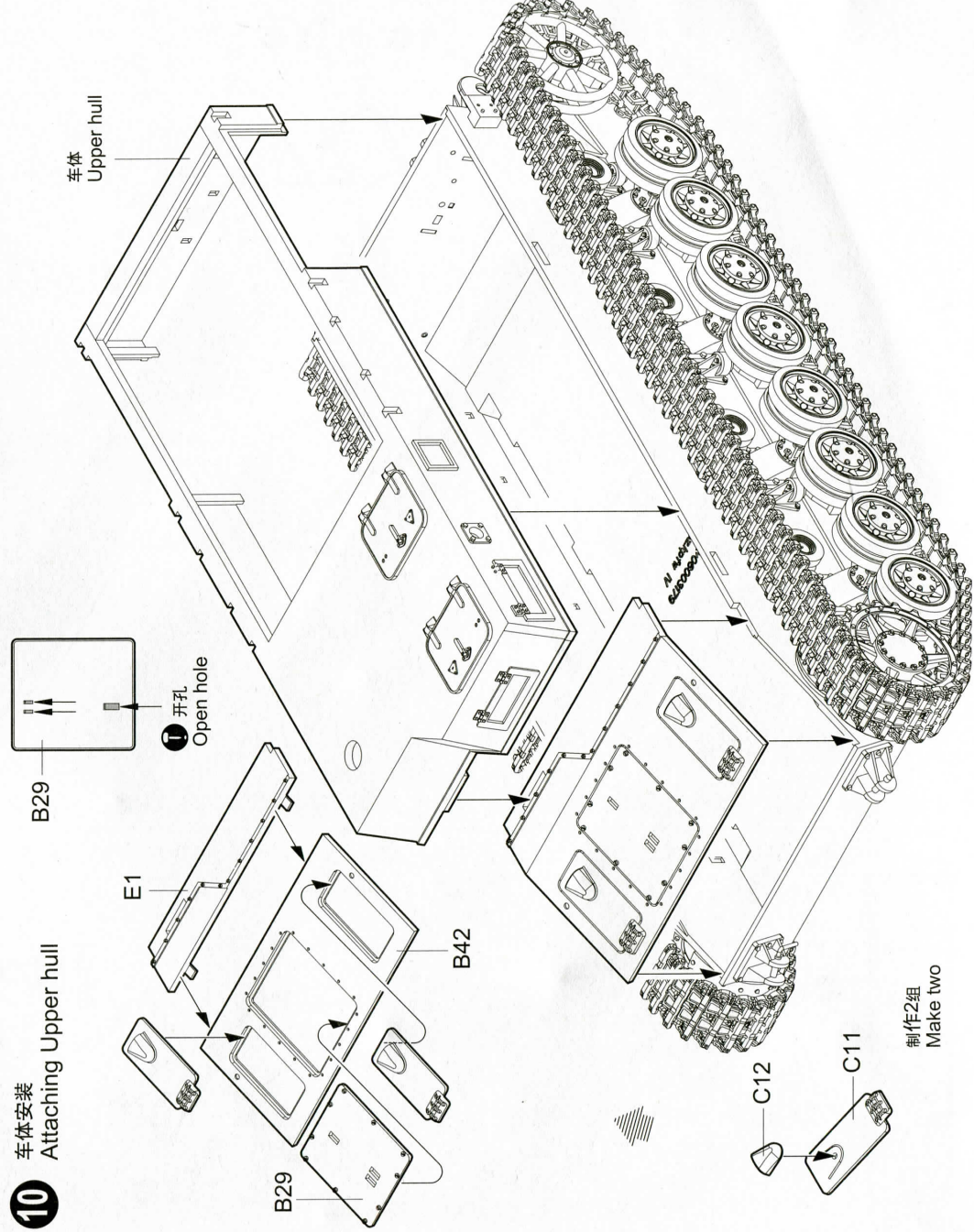
车轮安装
Attaching wheels



9 车体组装
Upper hull assembly



10 车体安装
Attaching Upper hull



11

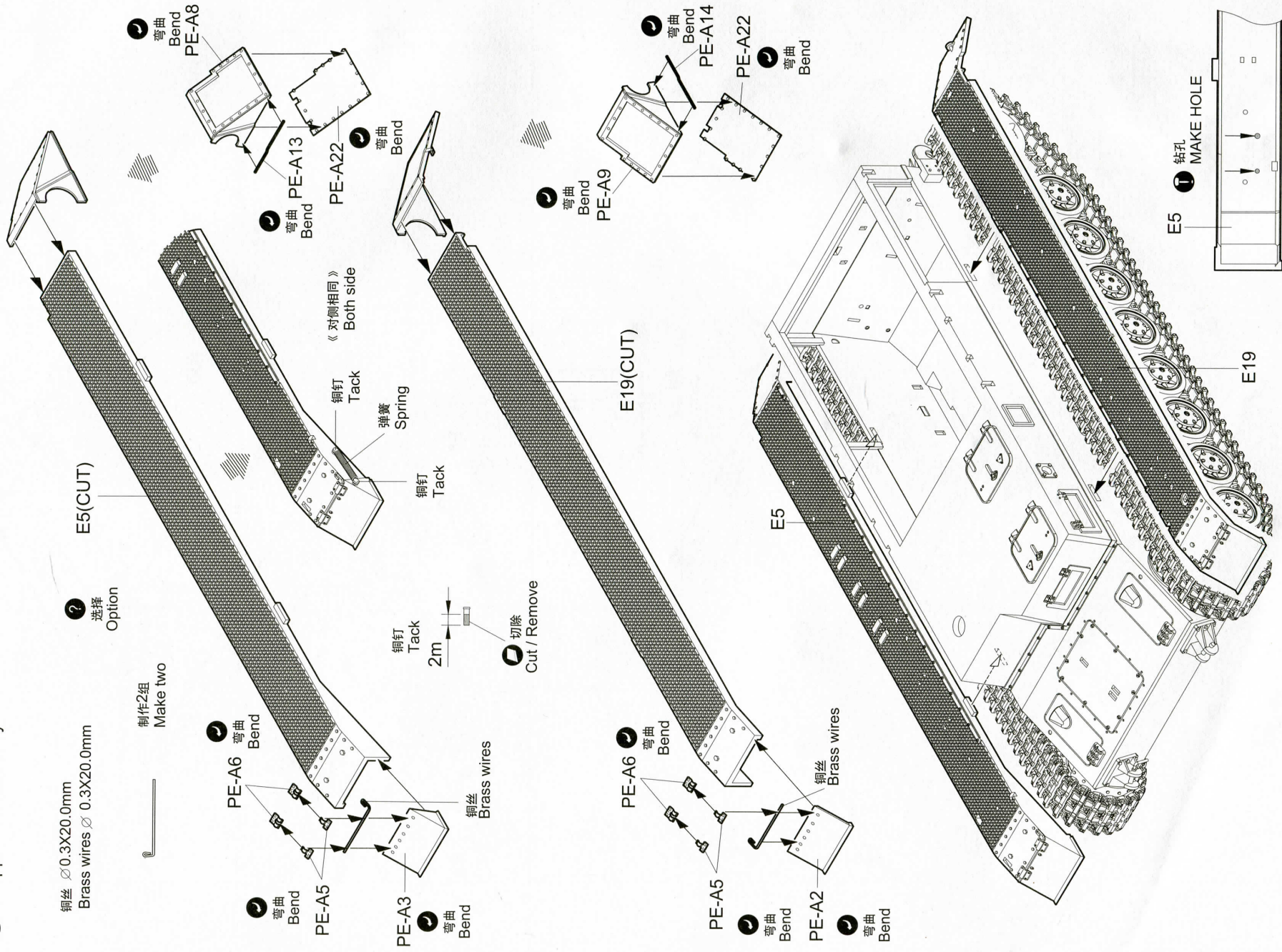
车体组装 Upper hull assembly

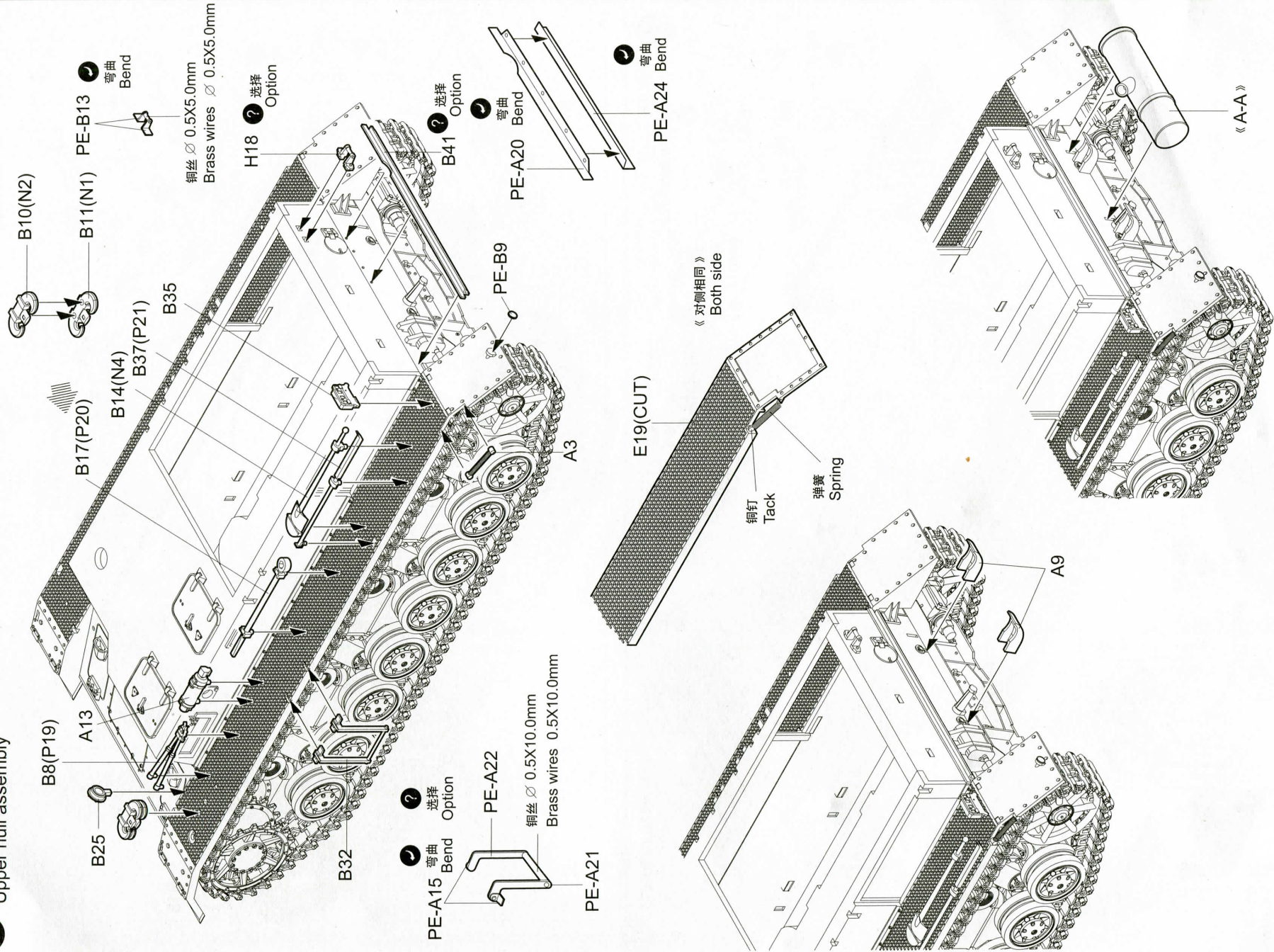
如果安装蚀刻片, 沿线切材料。
If choose PE part, please cut along this position.

铜丝 $\varnothing 0.3 \times 20.0 \text{mm}$
Brass wires $\varnothing 0.3 \times 20.0 \text{mm}$

制作2组
Make two

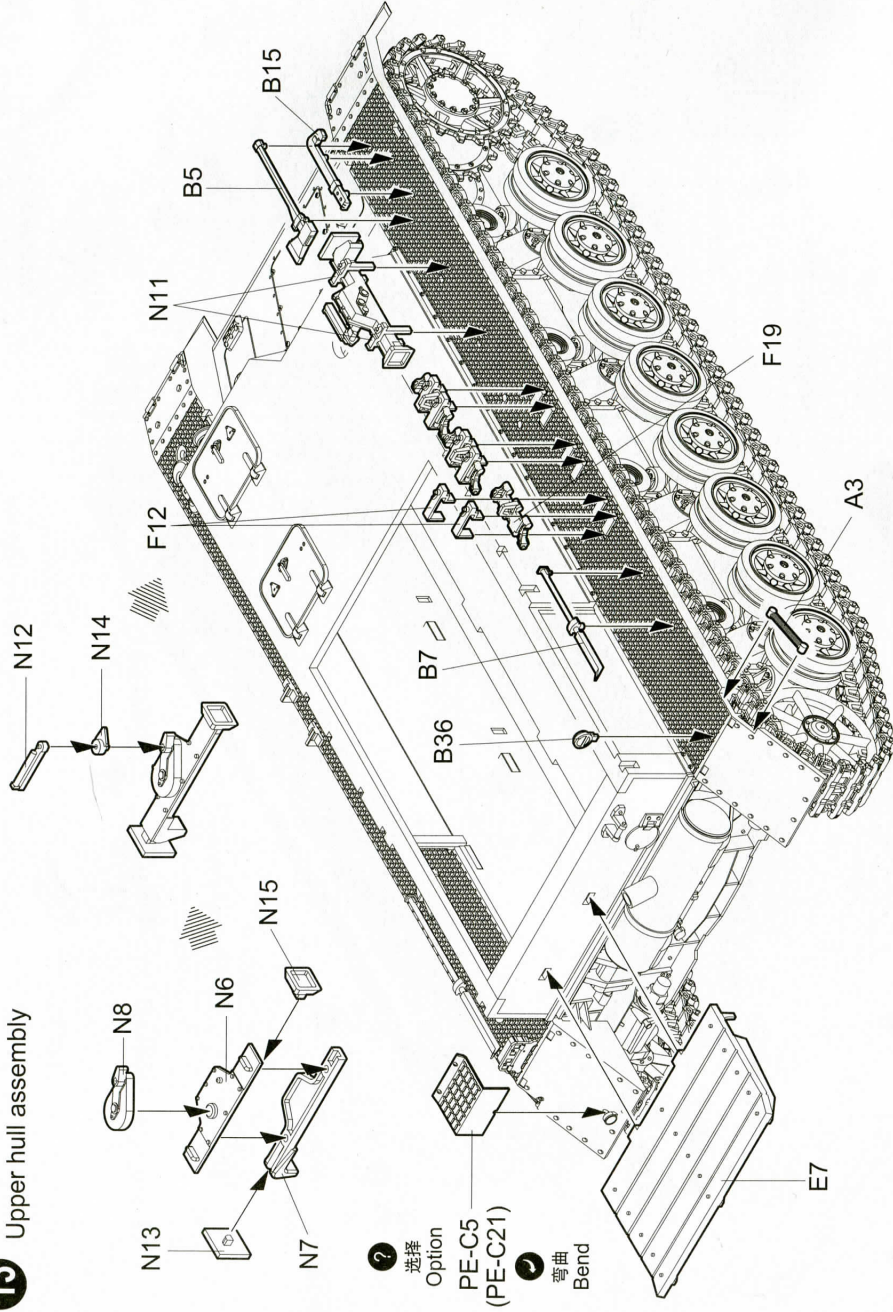
选择
Option



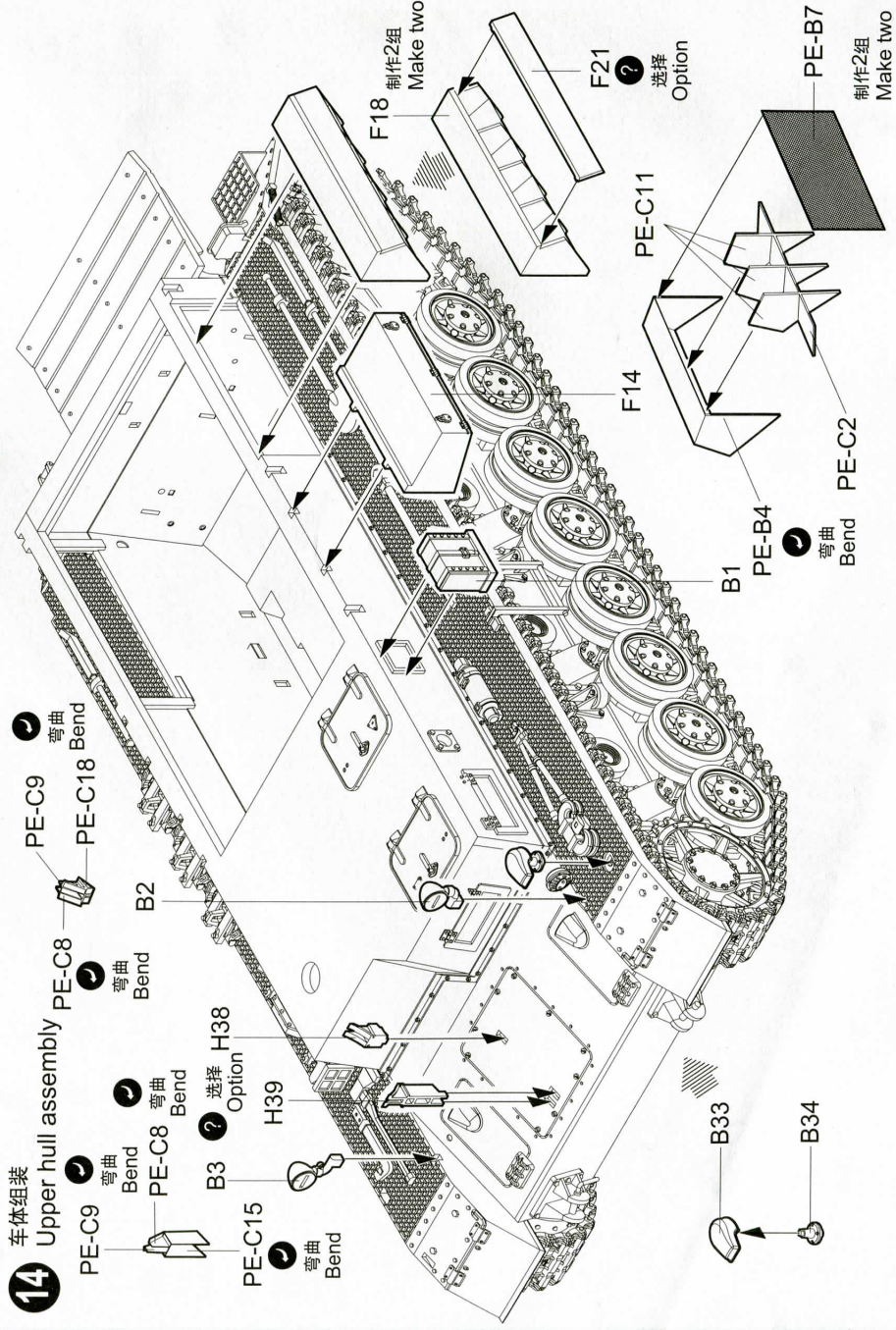


13

车体组装
Upper hull assembly

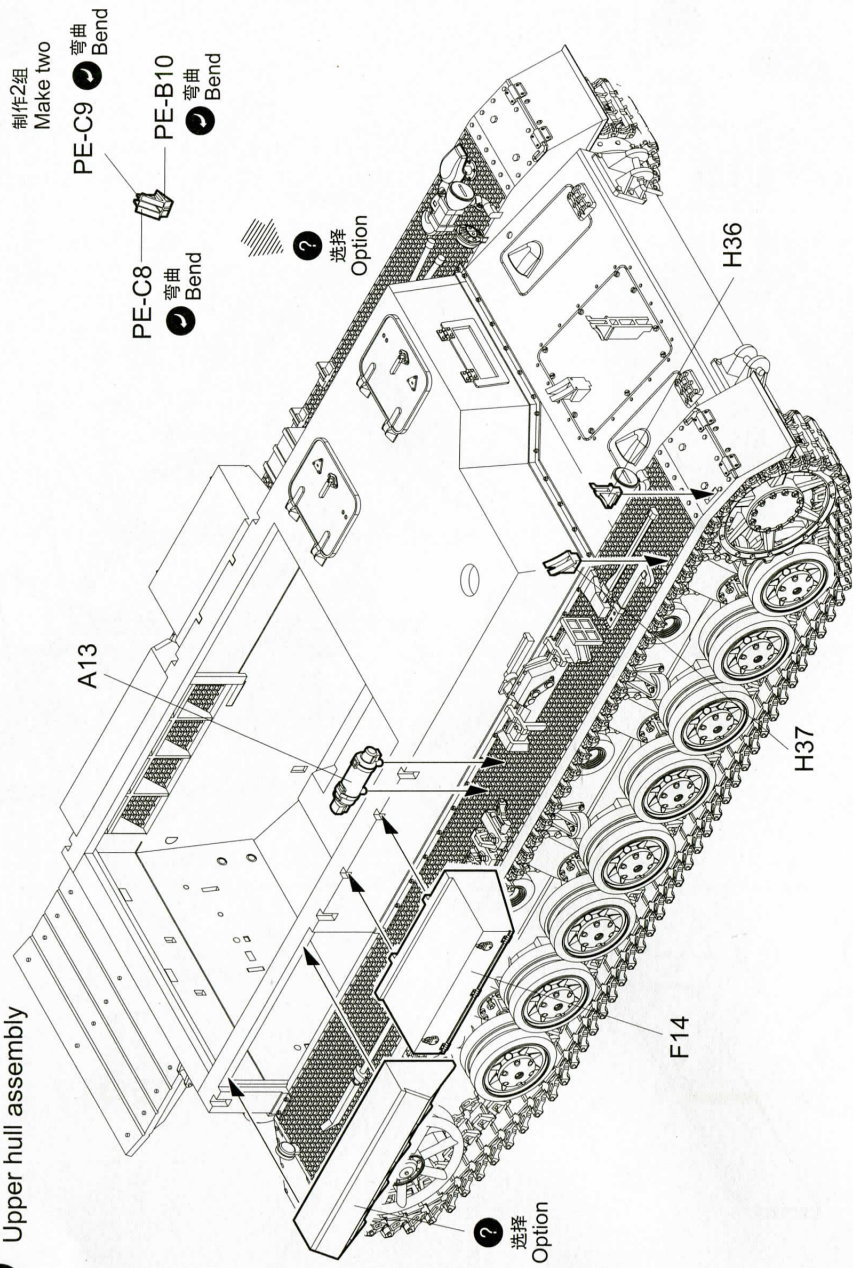
**14**

车体组装



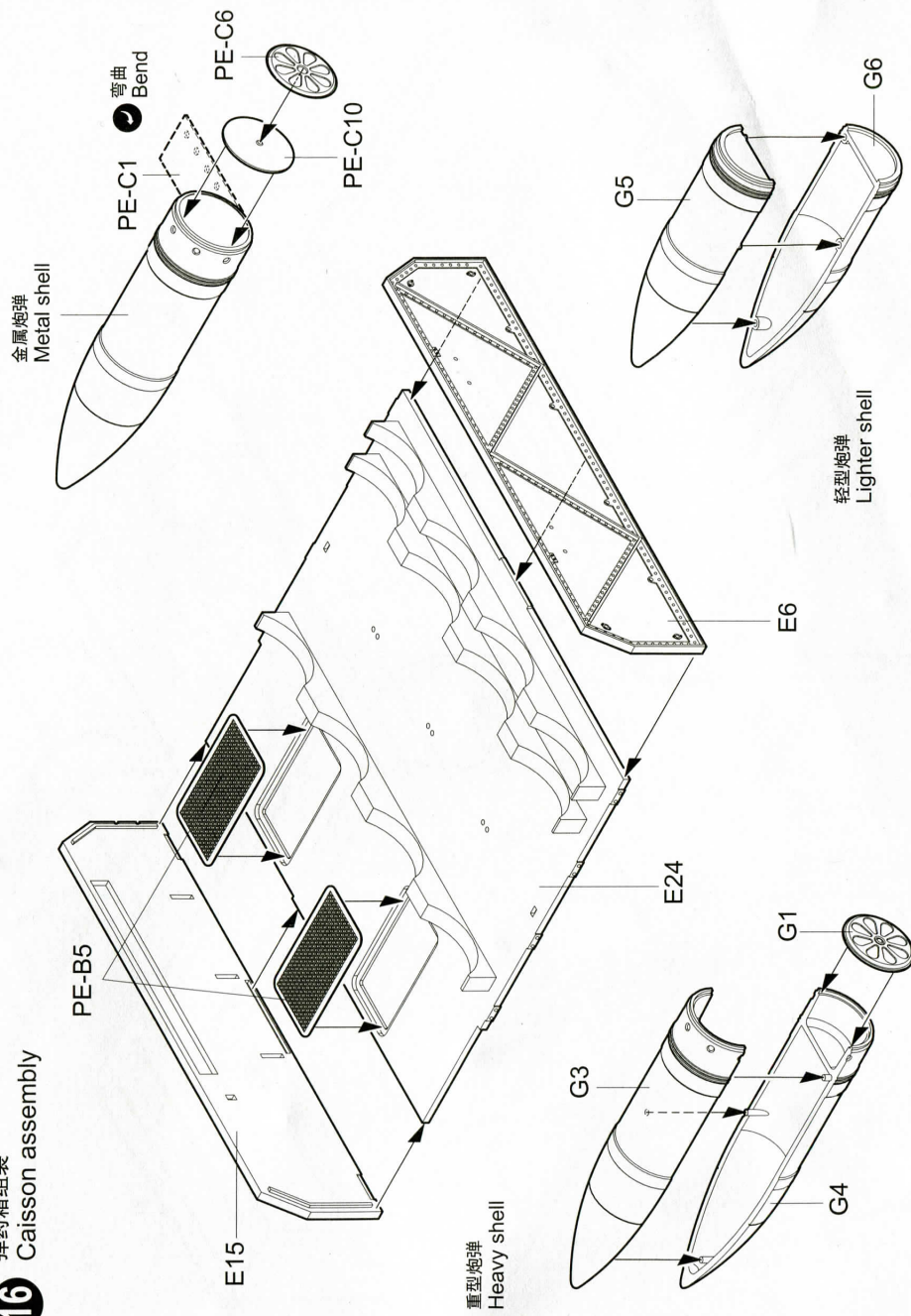
15

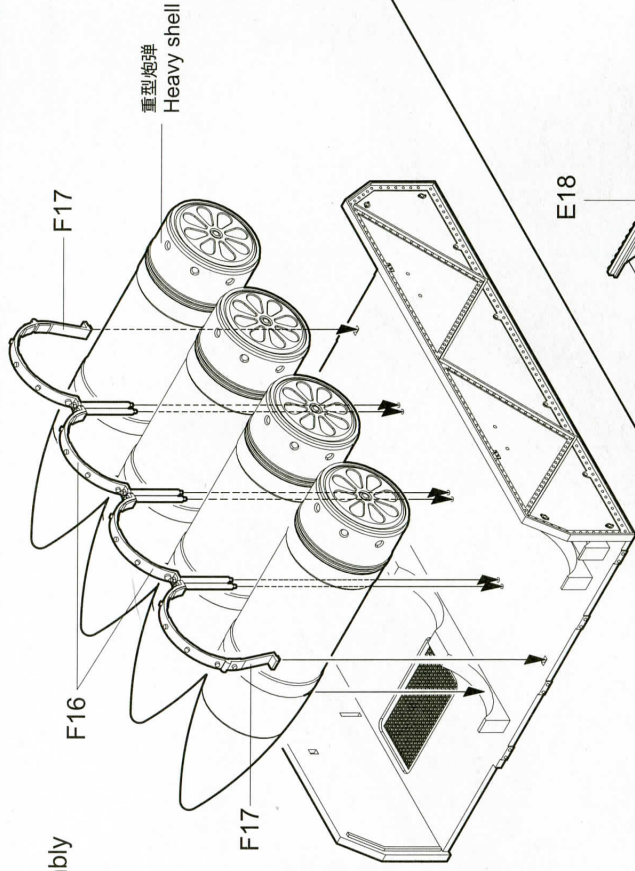
车体组装
Upper hull assembly



16

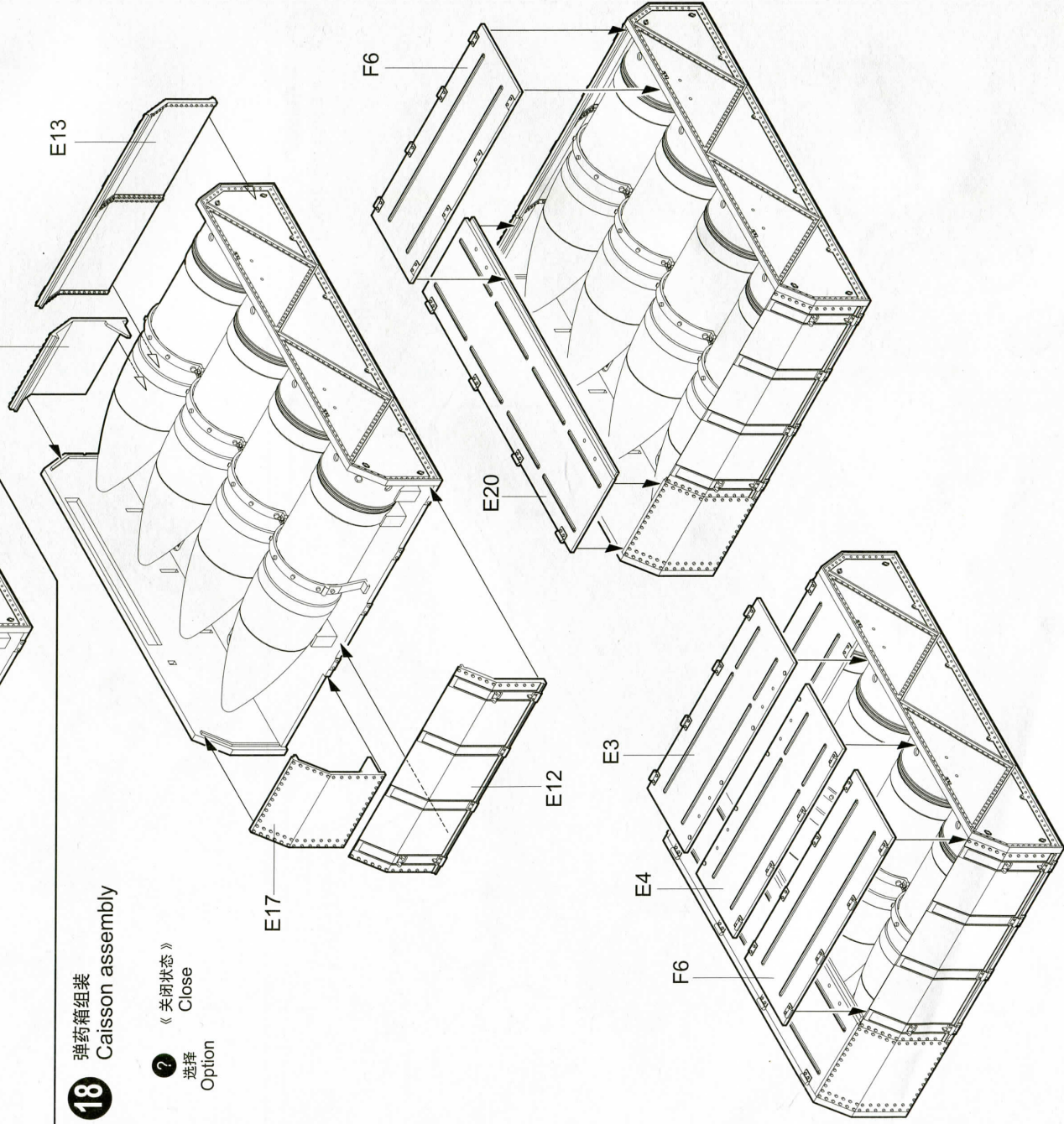
弹药箱组装
Caisson assembly



17弹药箱组装
Caisson assembly**18**弹药箱组装
Caisson assembly

《 关闭状态 》
Close

选择
Option



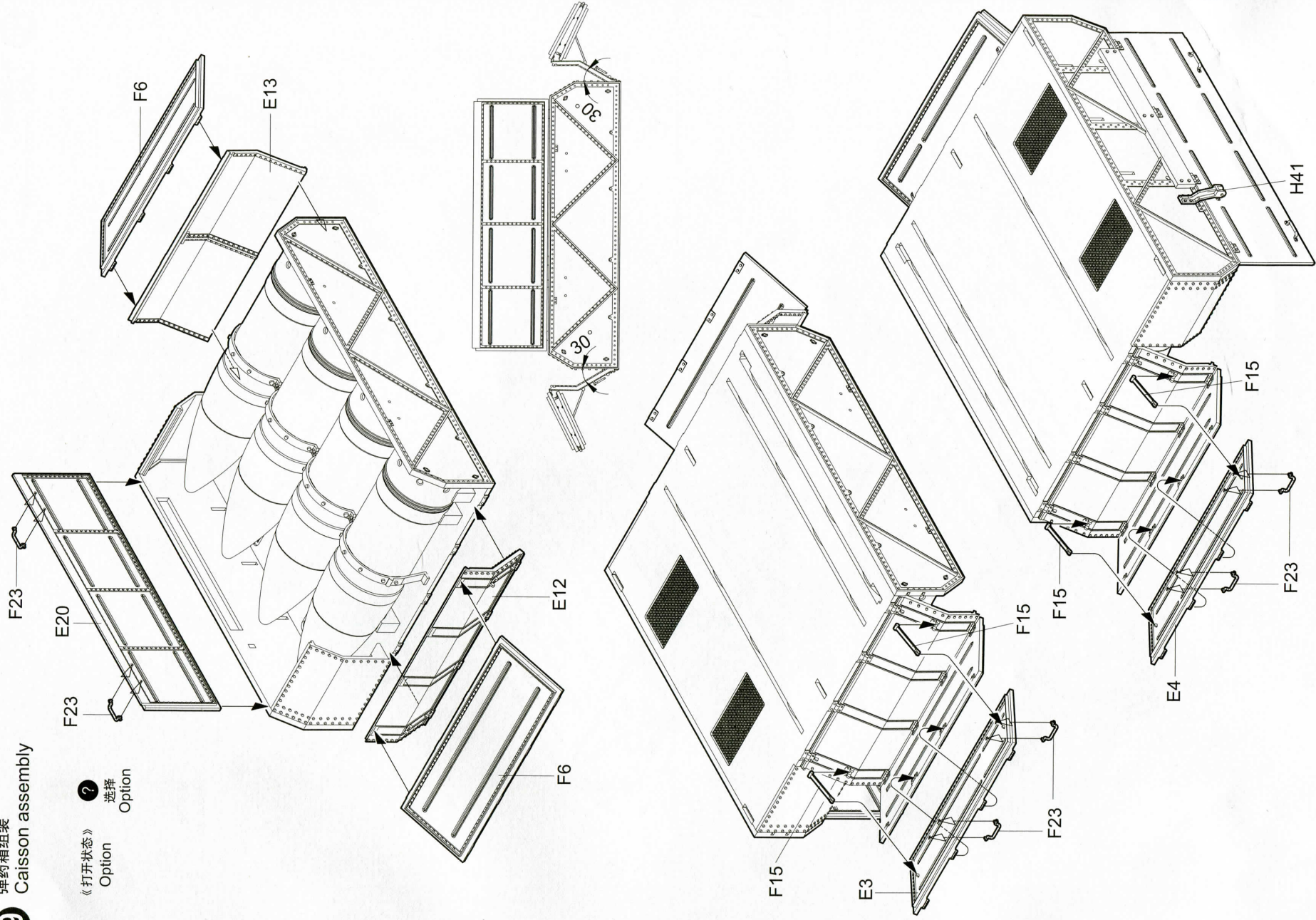
19

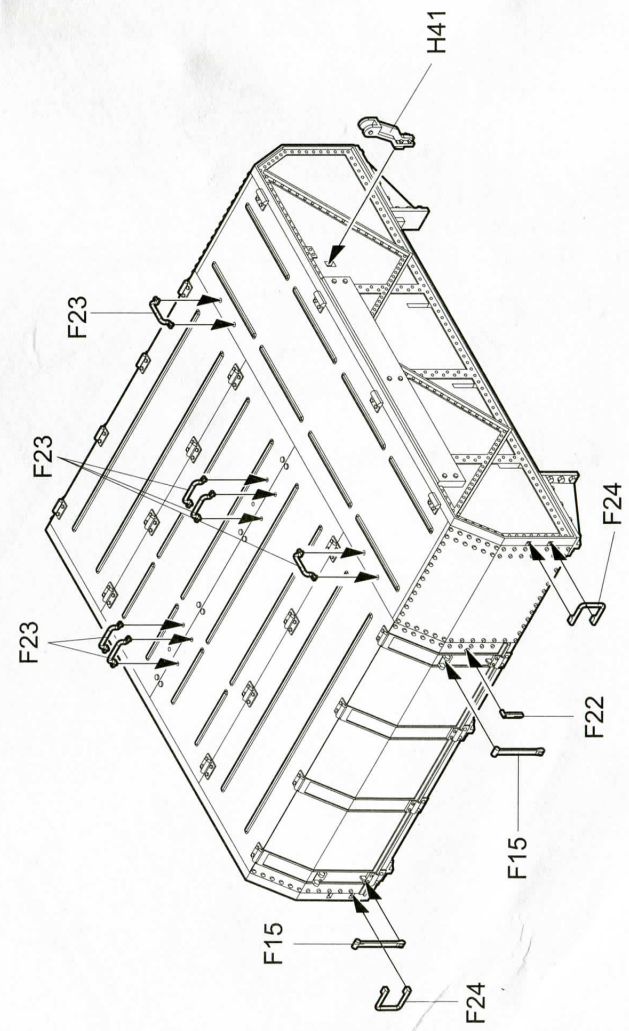
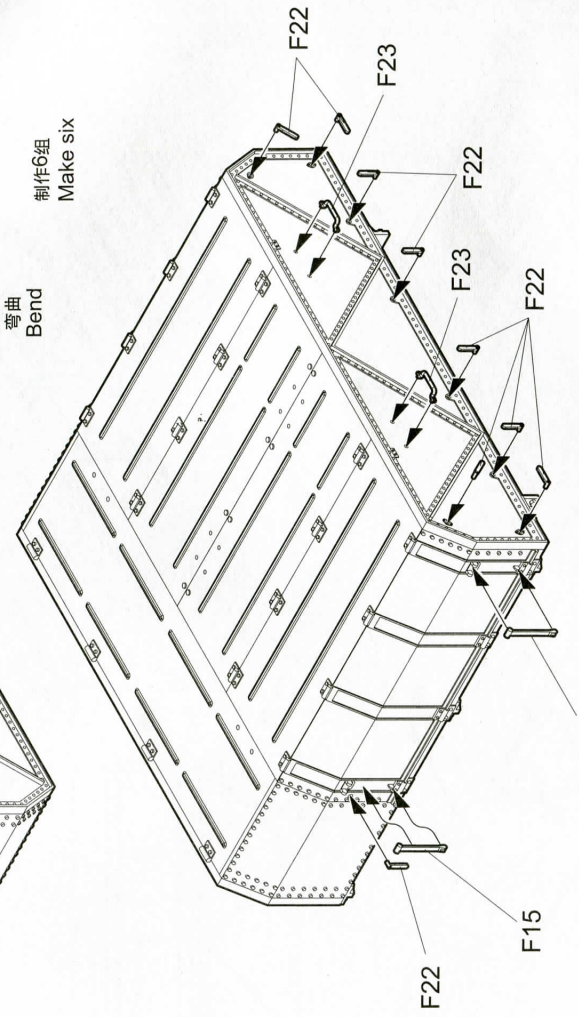
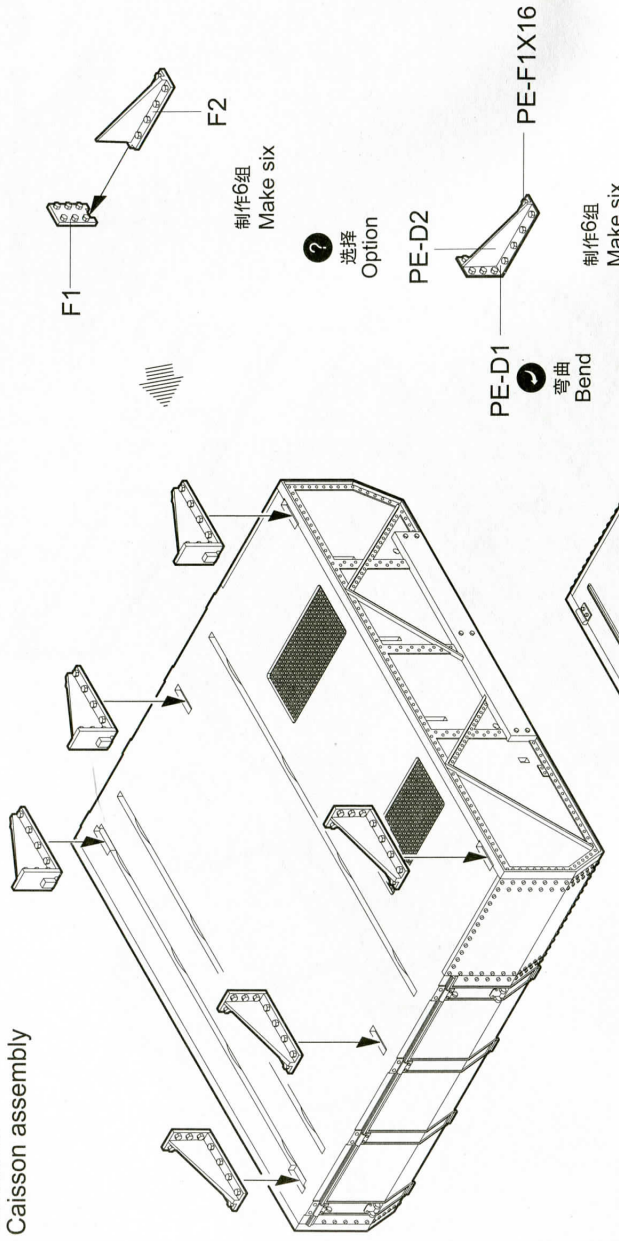
弹药箱组装
Caisson assembly

《打开状态》

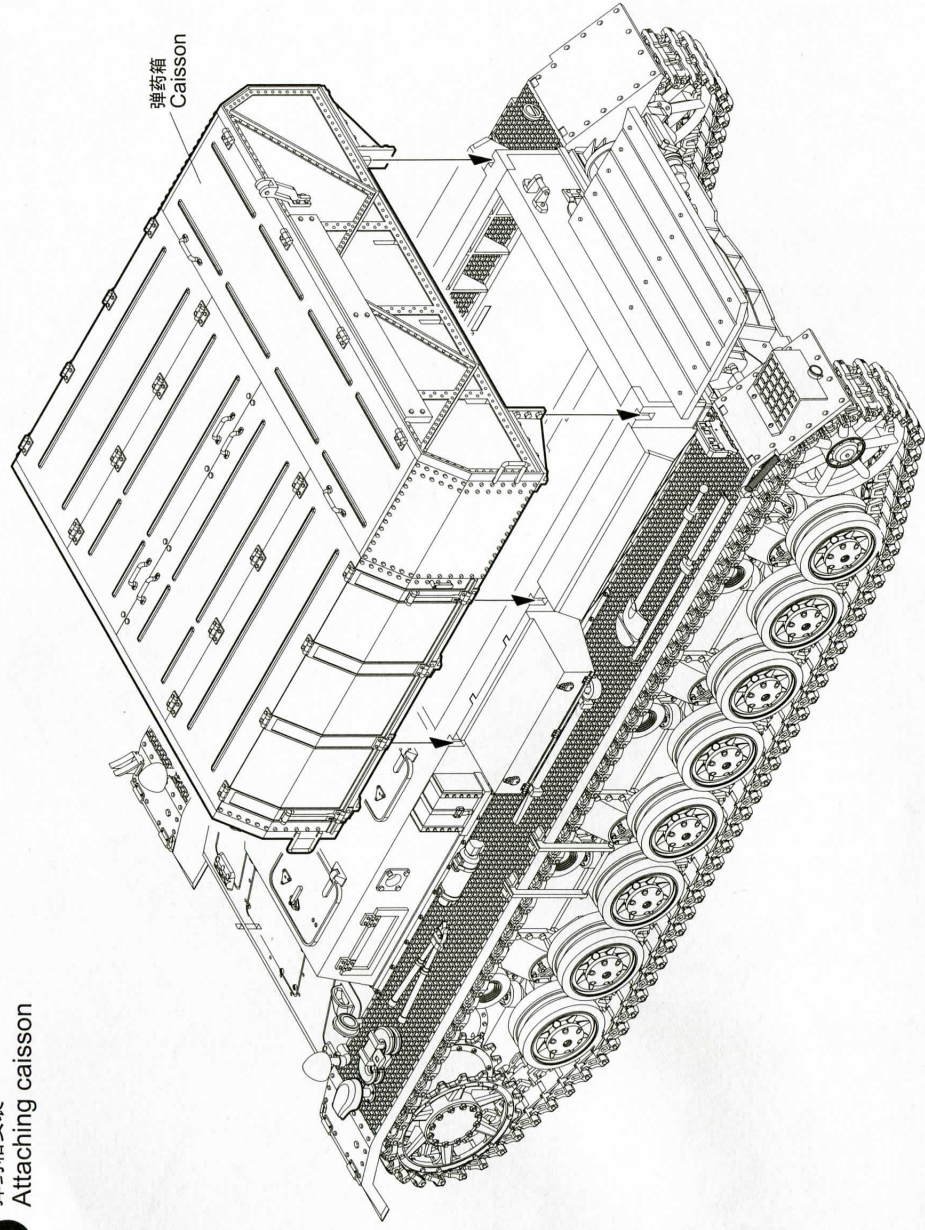


选择
Option

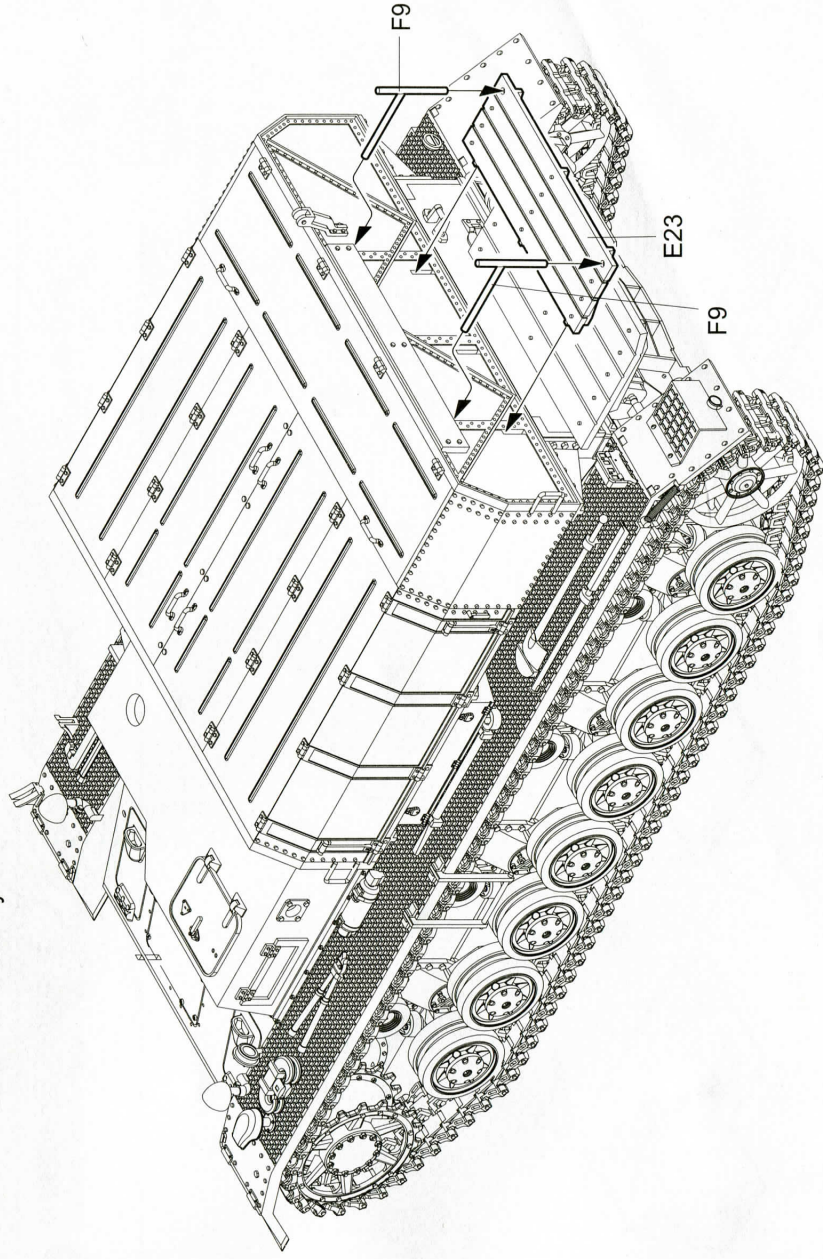


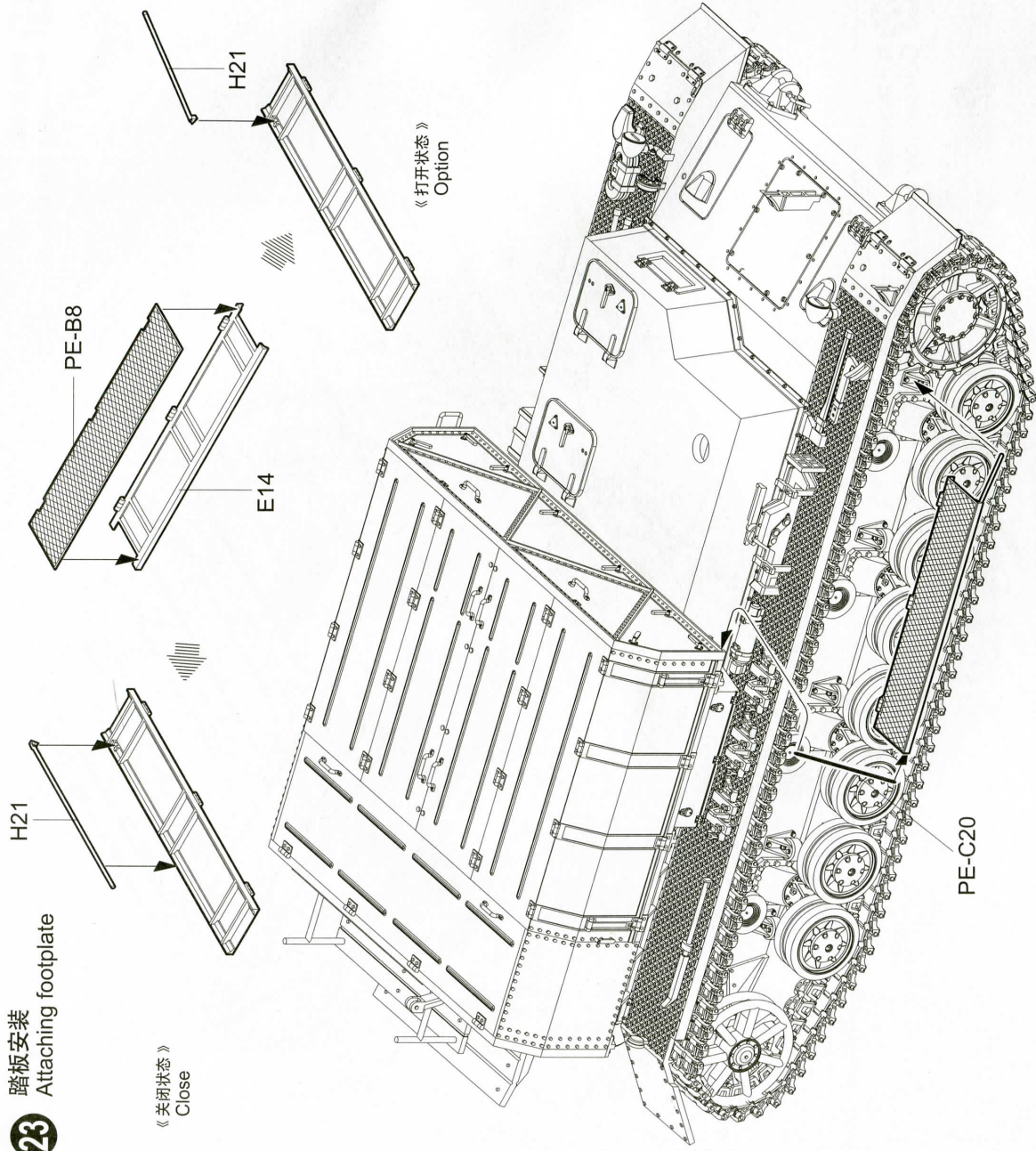
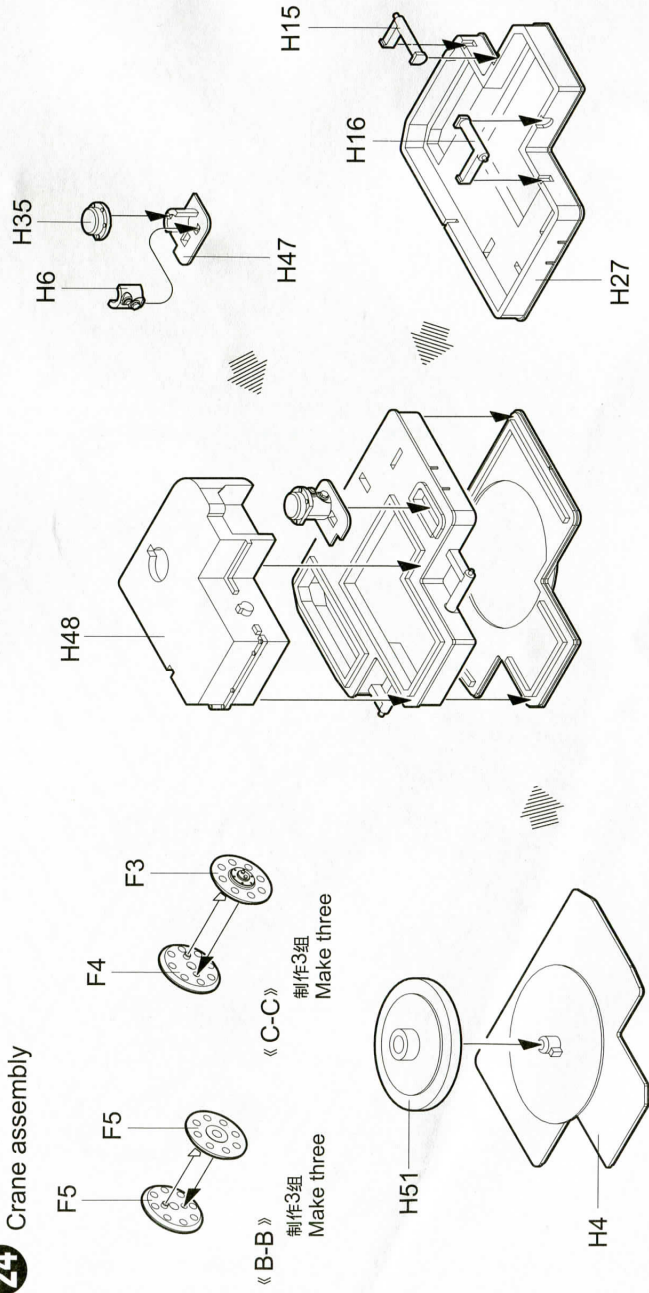


21 弹药箱安装
Attaching caisson

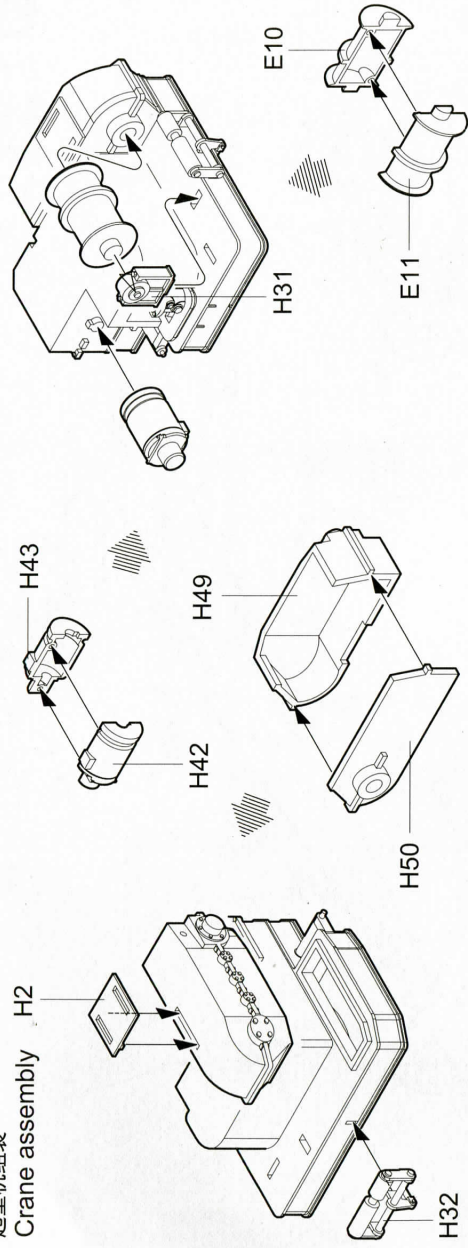


22 弹药箱后板组装
Caisson rear Panel assembly

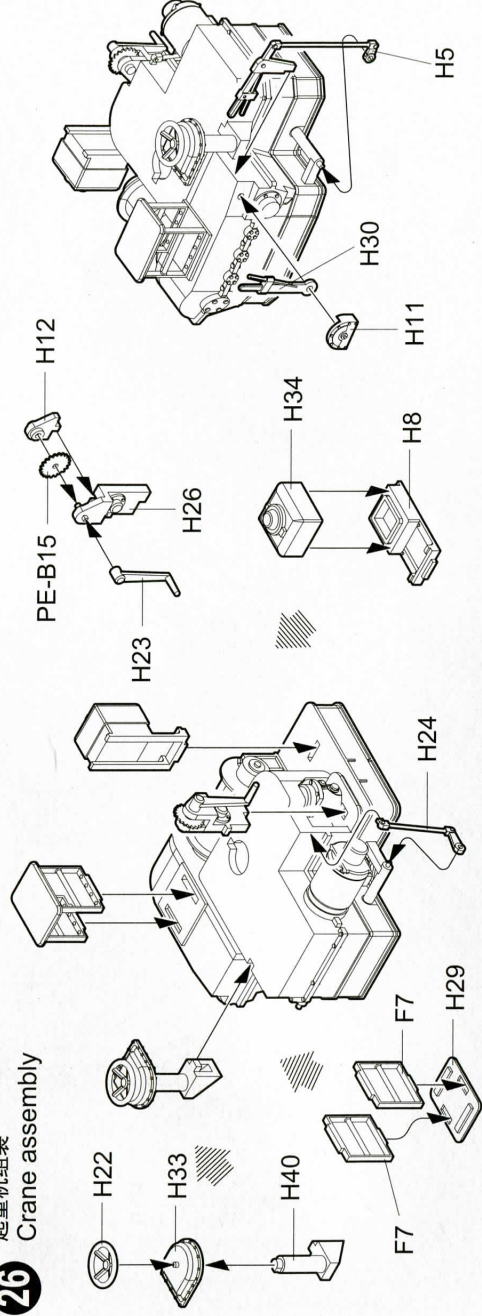


23**踏板安装**
Attaching footplate**24****起重机组装**
Crane assembly

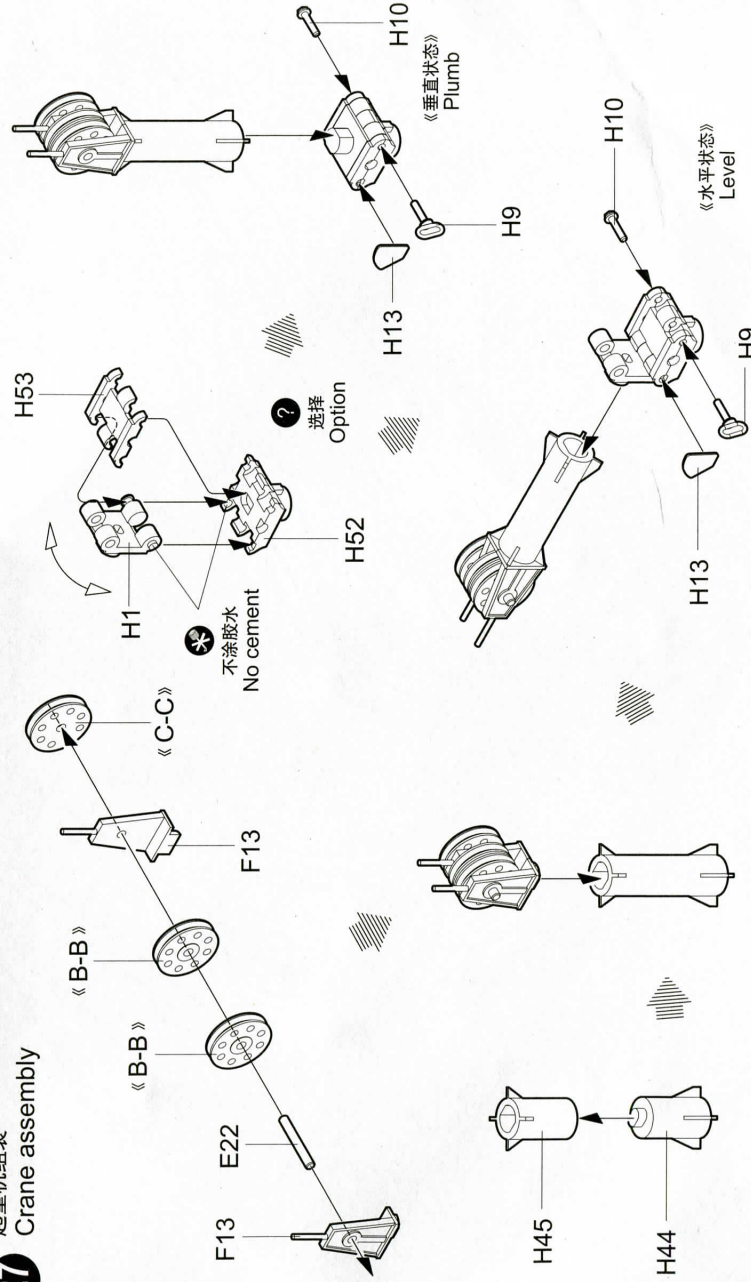
25 起重机组装
Crane assembly

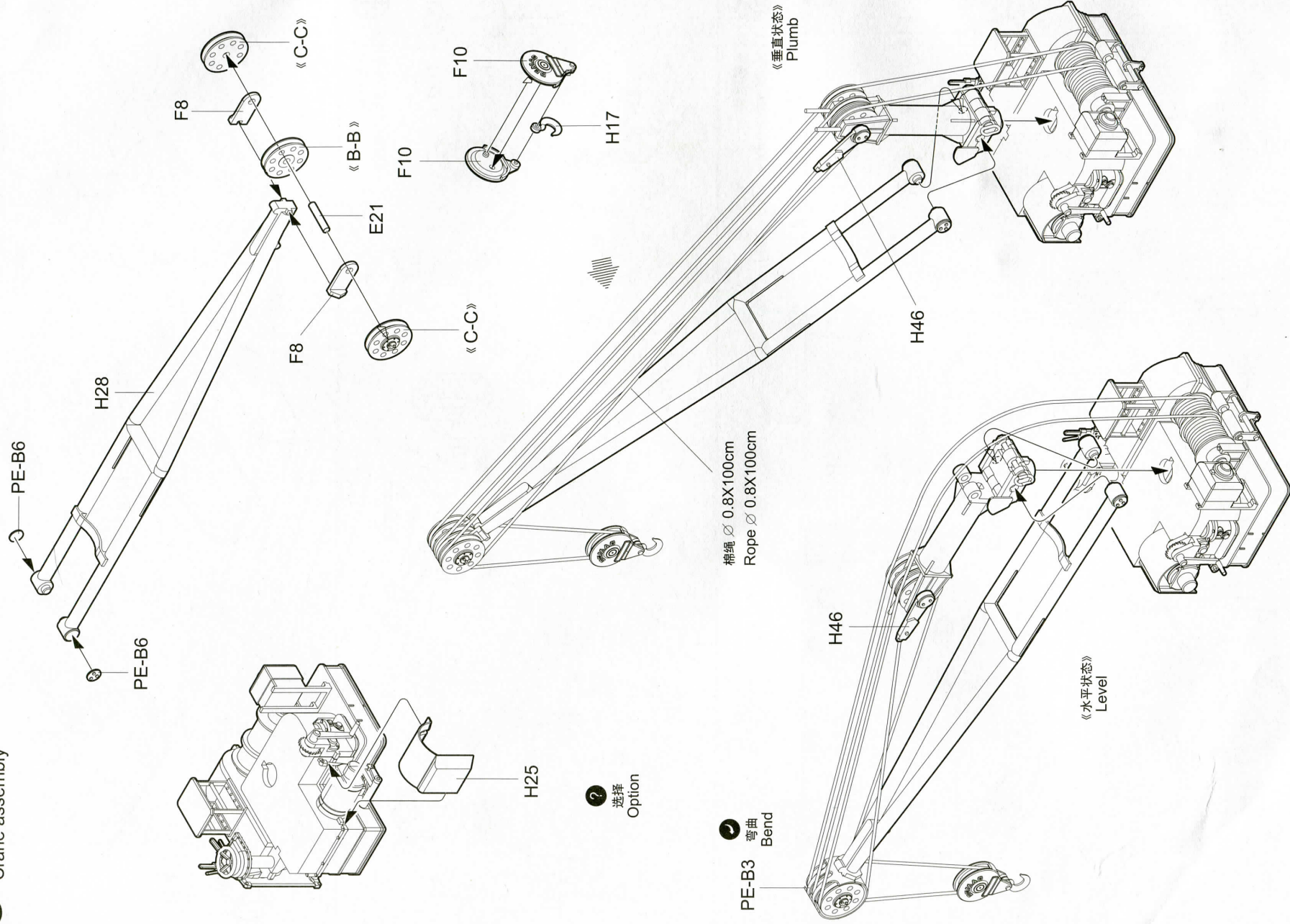


26 起重机组装
Crane assembly



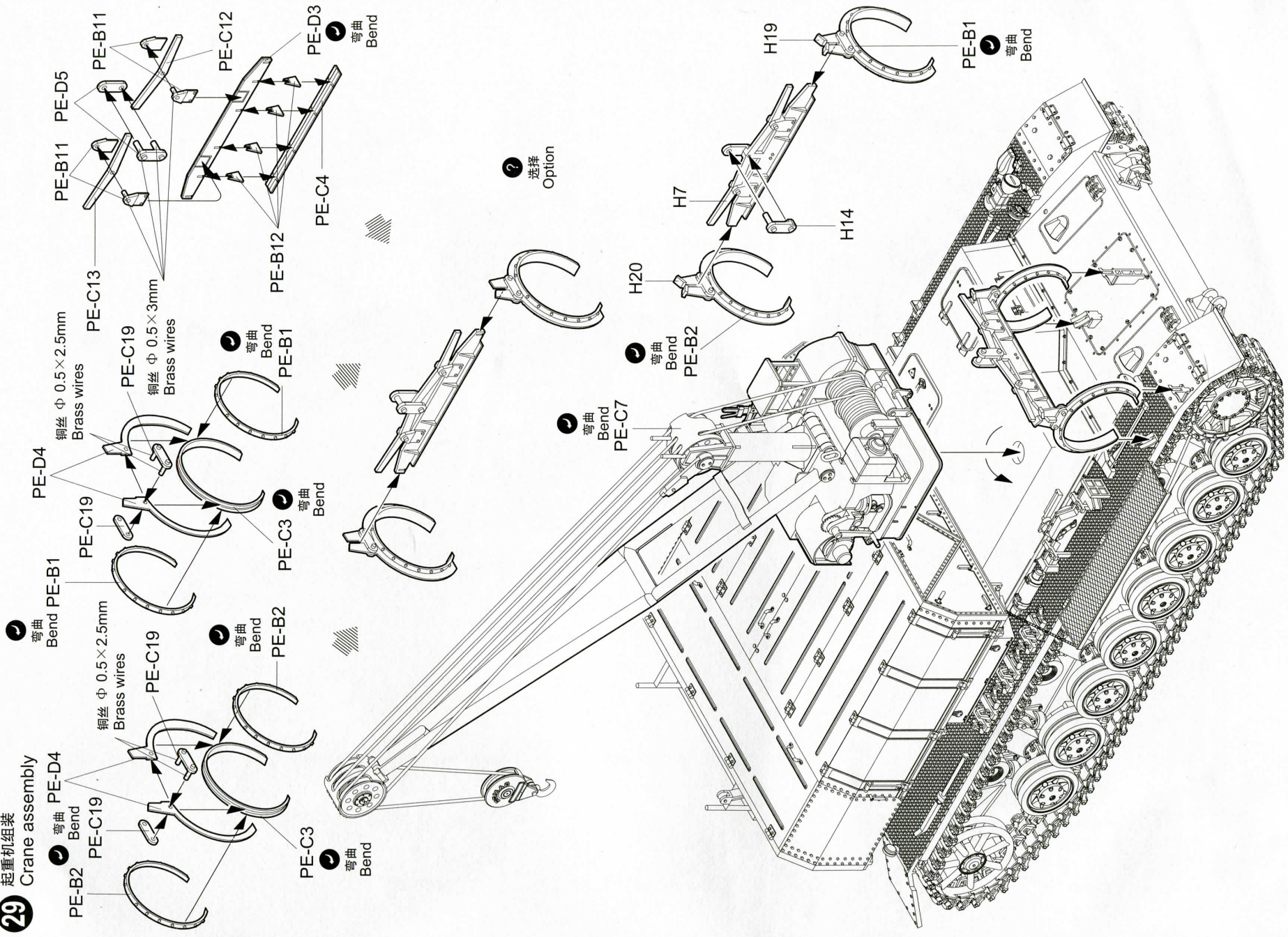
27 起重机组装
Crane assembly

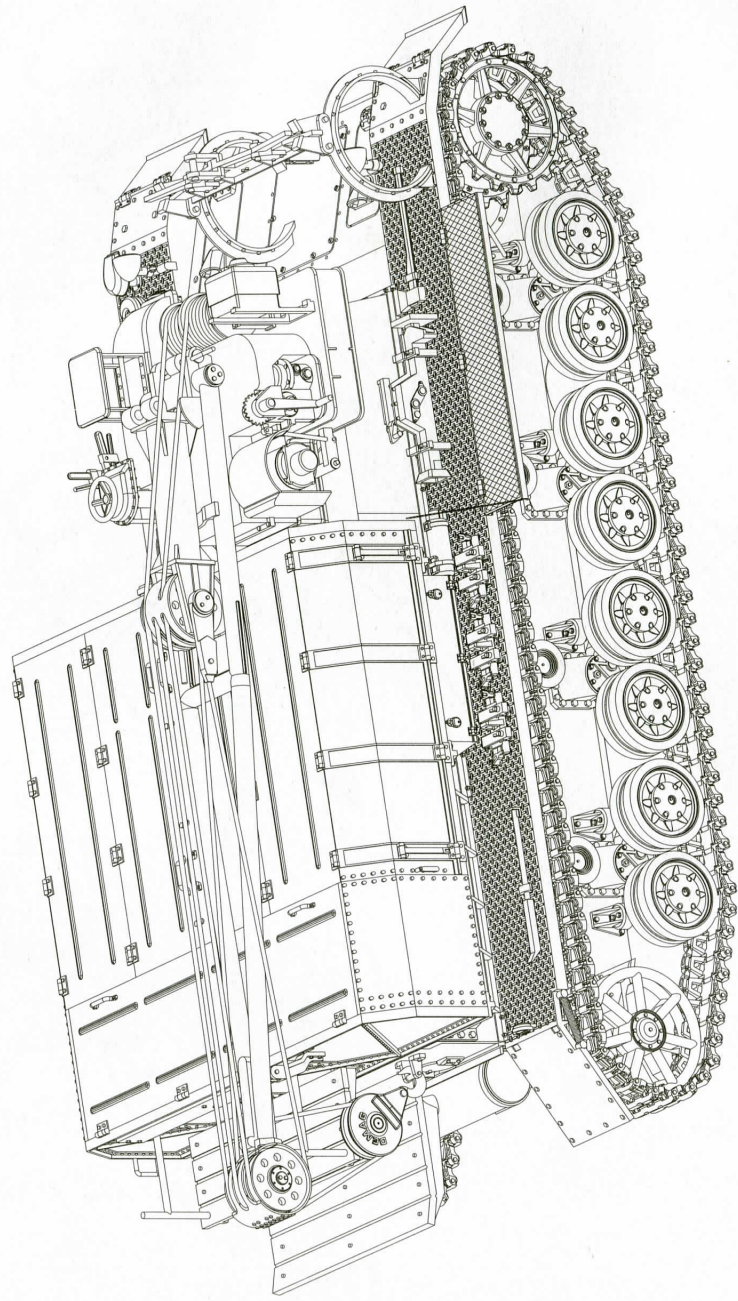
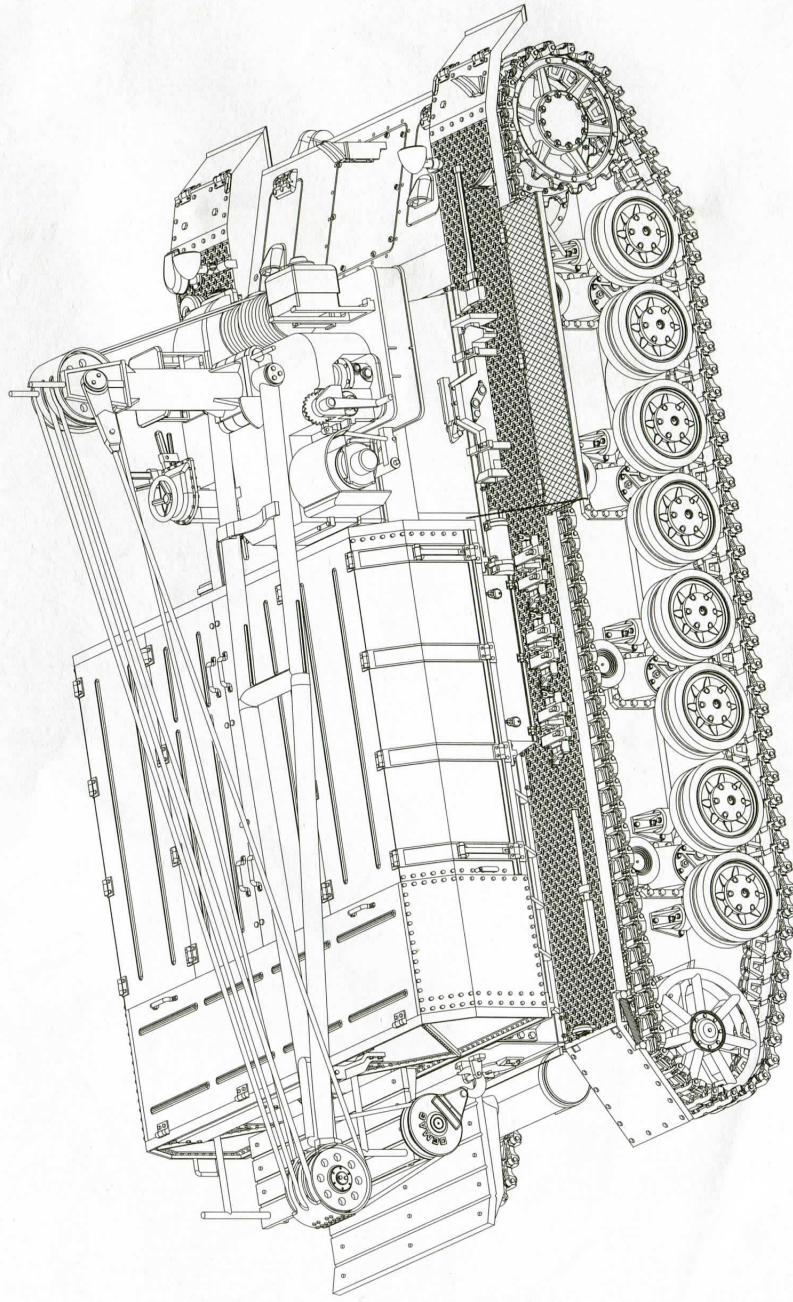




29

起重机组装
Crane assembly

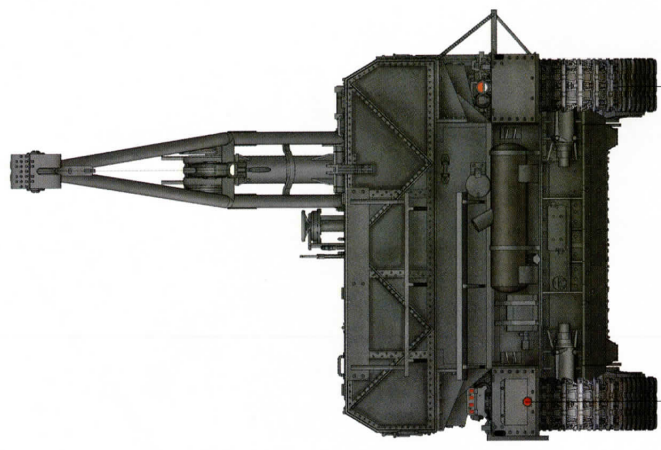
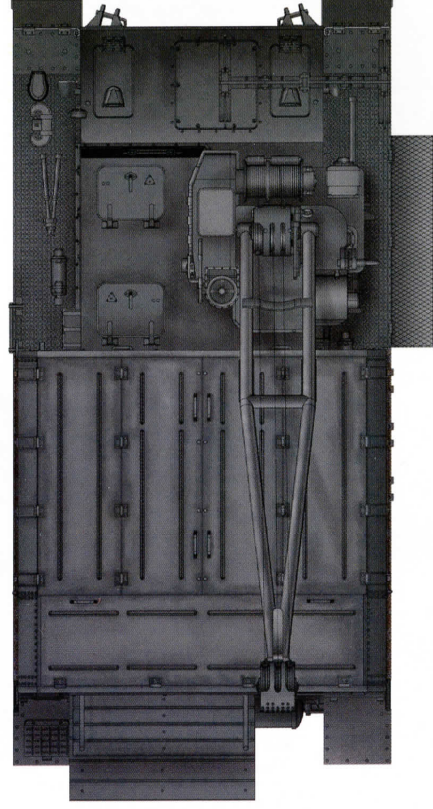
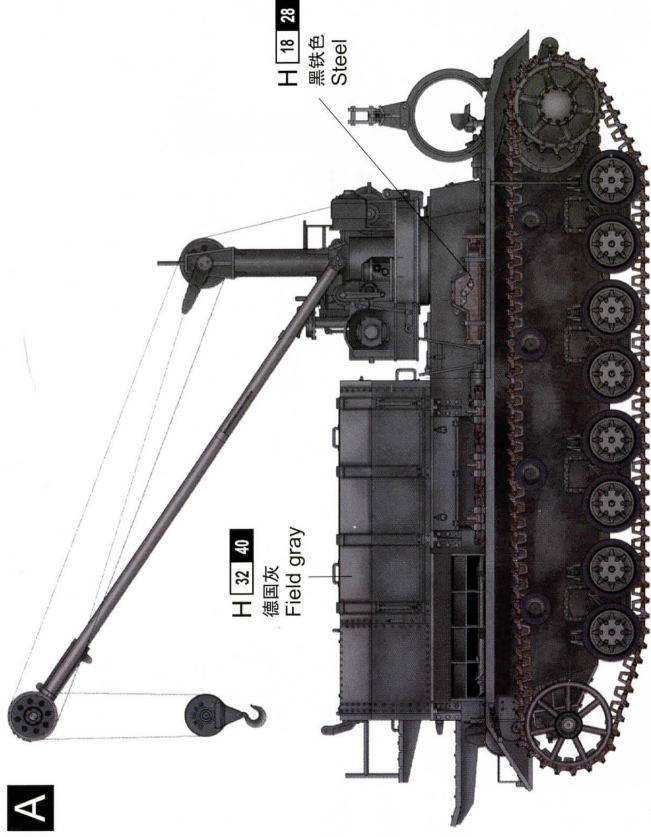


选择
Option

涂装同标贴指示

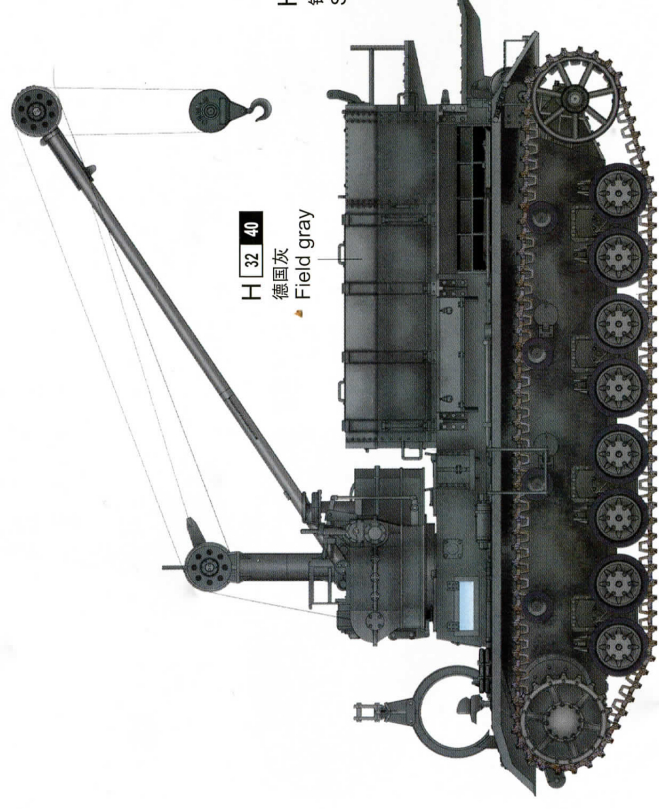
Painting & Marking guide

使用郡仕公司涂料
Gunze Sangyo Mr. colors used



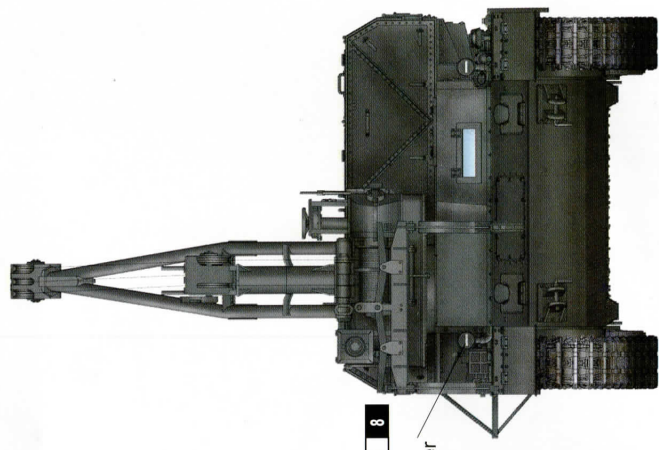
H 90 47
透明红
Clear Red

H 18 28
黑铁色
Steel



H 32 40
德国灰
Field gray

H 8 8
银色
Silver

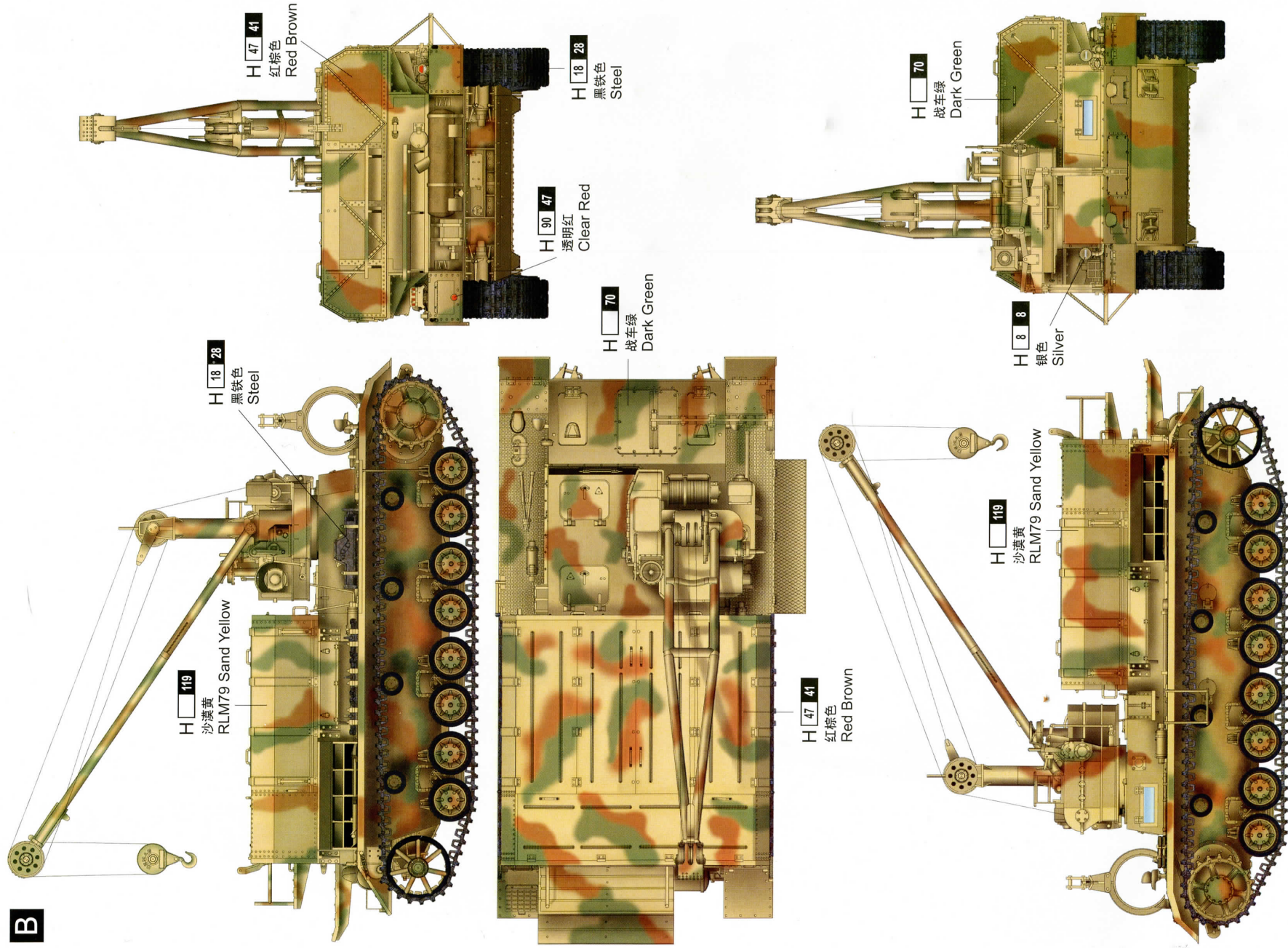


涂装同标贴指示

Painting & Marking guide

使用郡仕公司涂料
Gunze Sangyo Mr. colors used

B



H 119
沙漠黄
RLM79 Sand Yellow

H 18 28
黑铁色
Steel

H 47 41
红棕色
Red Brown

H 90 47
透明红
Clear Red

H 70
战车绿
Dark Green

H 18 28
黑铁色
Steel

H 47 41
红棕色
Red Brown

H 8 8
银色
Silver

H 70
战车绿
Dark Green

H 119
沙漠黄
RLM79 Sand Yellow

