

**MONOGRAM MODELS, INC.**

Morton Grove, Ill.

Copyright © 1977

All rights reserved.

Made in U.S.A.

3009-0203

**KIT NO. 3009**

# D.K.M. TIRPITZ

# MONOGRAM<sup>®</sup>

## GERMAN BATTLESHIP

Launched in April of 1939, the German Battleship "Tirpitz" was designed as a powerful ocean raider capable of decimating slow moving Allied convoys. Over eight hundred feet in length, the "Tirpitz" was heavily armed with four main turrets that were fitted with fifteen inch guns. Displacing 42,000 tons, this leviathan was capable of speeds in excess of thirty knots. Like other German battleships and cruisers, the "Tirpitz" sacrificed gunpower and armored protection in favor of speed and endurance that was necessary to overtake and destroy unwary prey.

After "Tirpitz" was completed, it sought refuge in a remote, heavily defended fjord near Trondheim, Norway. Repeated attempts to break through to the freedom of the open seas were continually frustrated by British warships and aircraft operating from British carriers. During September of 1944, the "Tirpitz" was seriously damaged by a formation of British bombers. A month later, the ship was transferred to Tromso, Norway where it capsized under heavy attack from yet another British bombing mission.

### READ THIS BEFORE YOU BEGIN

Read through the instructions and study the assembly drawings to become familiar with all parts of the model. Each plastic part is identified by a number on the part or on a tab alongside the part. In the assembly instructions and drawings, identifying numbers are indicated. This method makes it easy for you to locate parts during the assembly. Do not detach parts from the trees until you are ready to use them.

After cutting off the required part, trim away any excess bits of plastic that are not part of the usable piece. Use a sharp knife, such as a modeling knife, available at your hobby counter. Check the fit of each piece before you cement in place. Use only cement specified for use with styrene plastic.

Do not use too much cement to join parts. All plastic cements contain solvents that

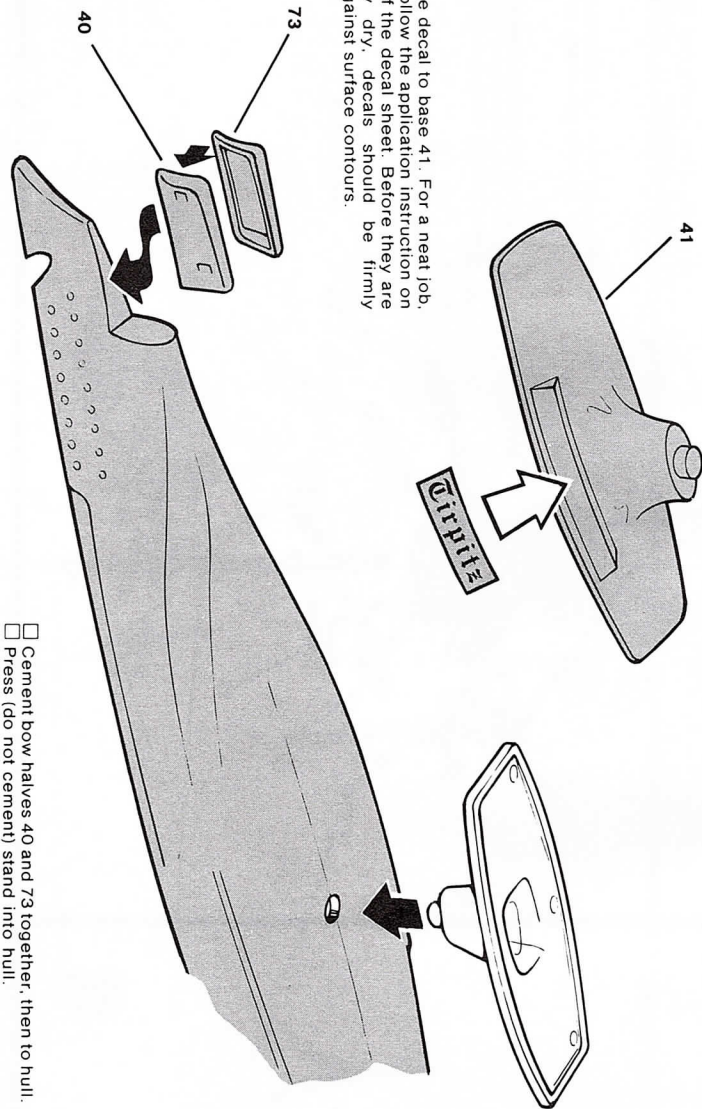
dissolve the plastic forming a weld between the parts. Too much cement can soften and distort the plastic, spoiling your model's appearance. The tip of a toothpick is helpful in applying cement to small or confined areas.

If you desire to paint your model, refer to the painting instructions before assembling. Some of the parts must be painted before they are cemented, so study the assembly steps and plan your work accordingly. You will find it easier to paint the smaller parts before removing them from the plastic "trees."

For better paint and decal adhesion, it is advisable to wash the plastic parts trees in a mild detergent solution. Rinse and let dry. After washing, handle the parts carefully to avoid skin-oil which may affect the adhesion.

# 1

- Apply name decal to base 41. For a neat job, carefully follow the application instruction on the back of the decal sheet. Before they are completely dry, decals should be firmly pressed against surface contours.

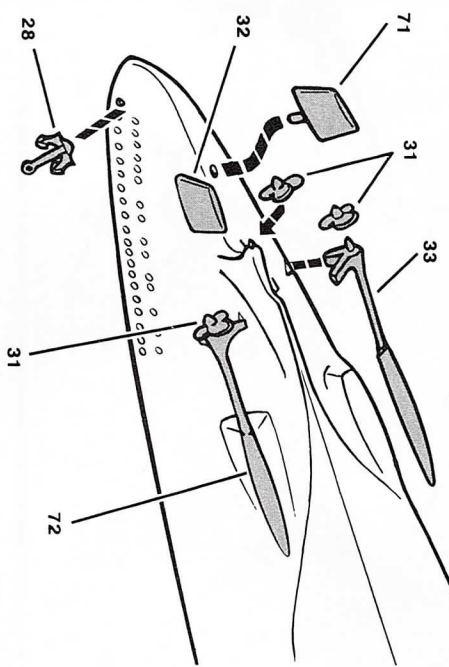


- Cement bow halves 40 and 73 together, then to hull.
- Press (do not cement) stand into hull.

# 2

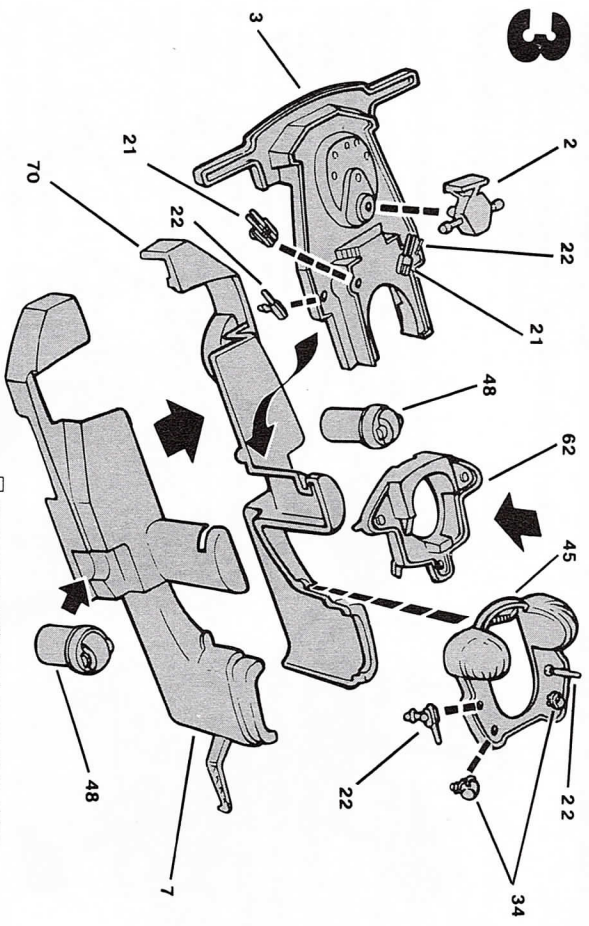
### CEMENT:

- propeller shaft 33 for right side of hull and 72 to left side.
- three propellers 31 to shafts as shown.
- two rudders 71 and 32 into holes in hull.
- anchor 28 to left side of stern.



# 3

- Cement superstructure halves 70 and 7 together.
- Cement radar 2, flak guns 21 and machine guns 22 into holes in bridge 3.
- Cement bridge to superstructure.

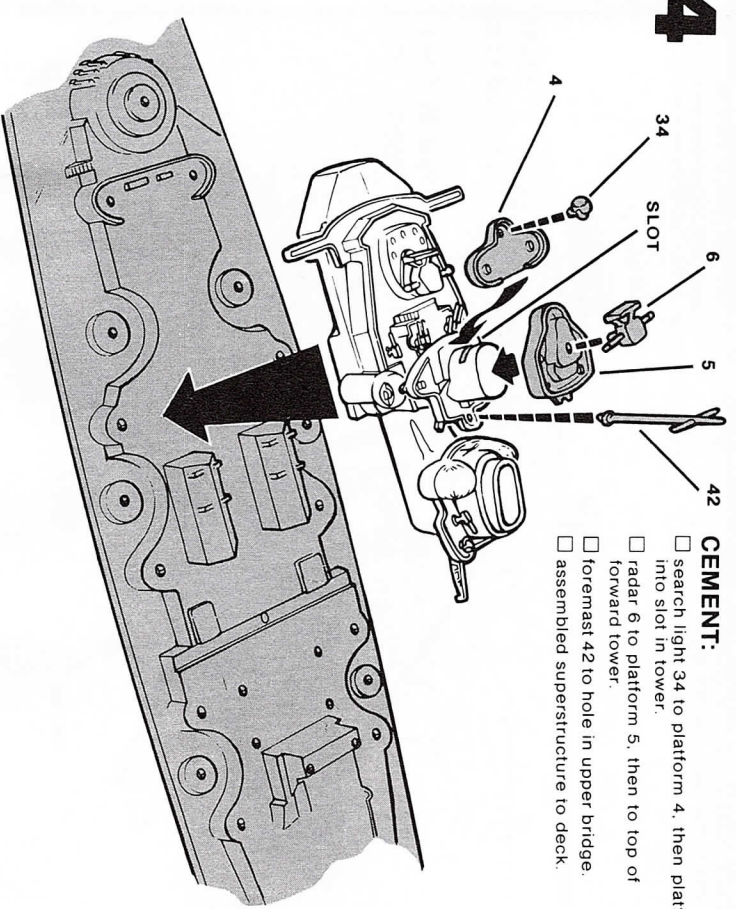


- Cement rangefinder towers 48 to sides of structure.
- Cement search lights 34 and machine guns 22 to platform 45, then slide platform over funnel and cement.
- Slide upper bridge 62 over forward tower and cement into place.

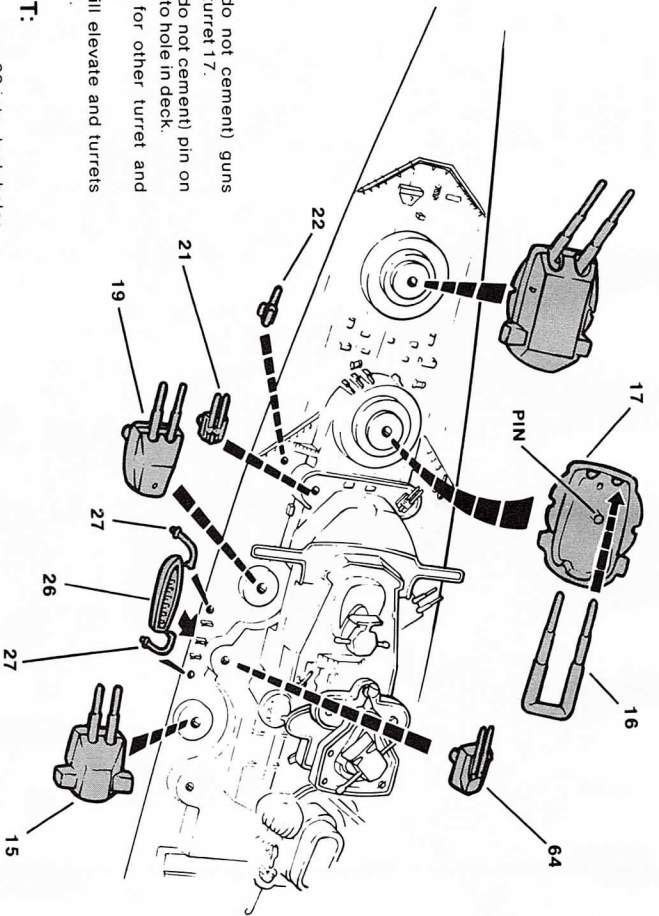
# 4

### CEMENT:

- search light 34 to platform 4, then platform into slot in tower.
- radar 6 to platform 5, then to top of forward tower.
- foremast 42 to hole in upper bridge.
- assembled superstructure to deck.



# 5

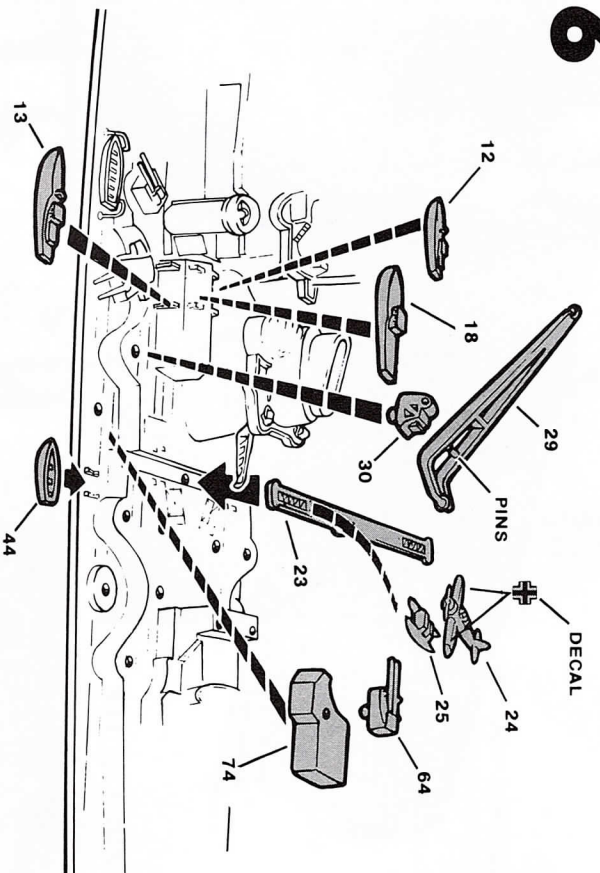


- Place (do not cement) guns 16 into turret 17.
- SNAP (do not cement) pin on turret into hole in deck.
- Repeat for other turret and guns.
- Guns will elevate and turrets will turn.

### CEMENT:

- machine guns 22 into deck holes.
- life boats 26 to deck platform, and davits 27 into holes in deck.
- guns 19 and 15 to deck.
- flak guns 21 and 64 to second deck.
- repeat on other side with remaining boat, davits and guns.

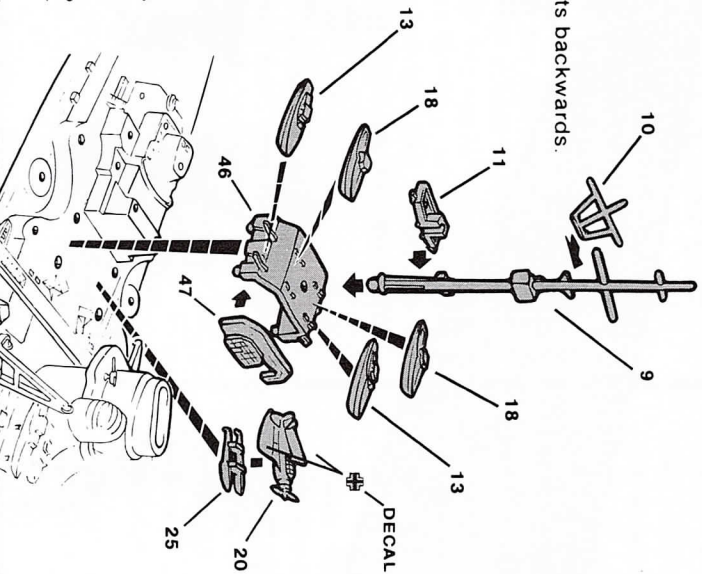
# 6



- Cement boats 12, 13 and 18 to deck house and boat 44 to deck platform.
- Repeat on other side with remaining boats.
- Cement gun 64 to part 74 then assembled part to deck. Repeat on right side using gun and part 61.

- Apply decals to airplane 24 wing tops.
- Cement airplane to floats 25, then assembled plane to catapult 23, and catapult to deck.
- Snap (do not cement) pins on crane 29 into holes in crane base 30, then cement assembled crane to second deck.

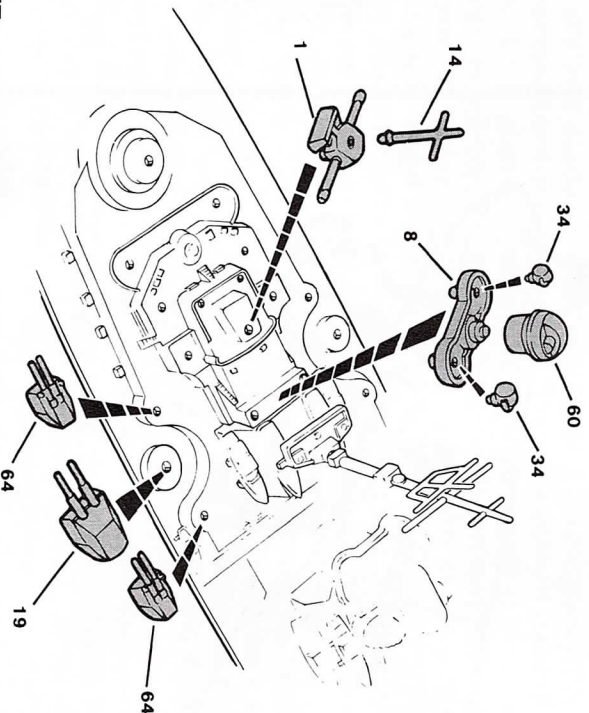
# 7



Note:  
Radar grid slants backwards.

- Apply decals to airplane 20 wing tops.
- Cement airplane to floats 25 then assembled aircraft to hangar floor using hangar 46 (do not cement) to position aircraft.
- Cement onto hangar 46, door 47, two boats 18 to top and two boats 13 to sides as shown.

# 8



- Cement platform 11 and radar grid 10 to mast 9. Note: Radar grid slants backwards.

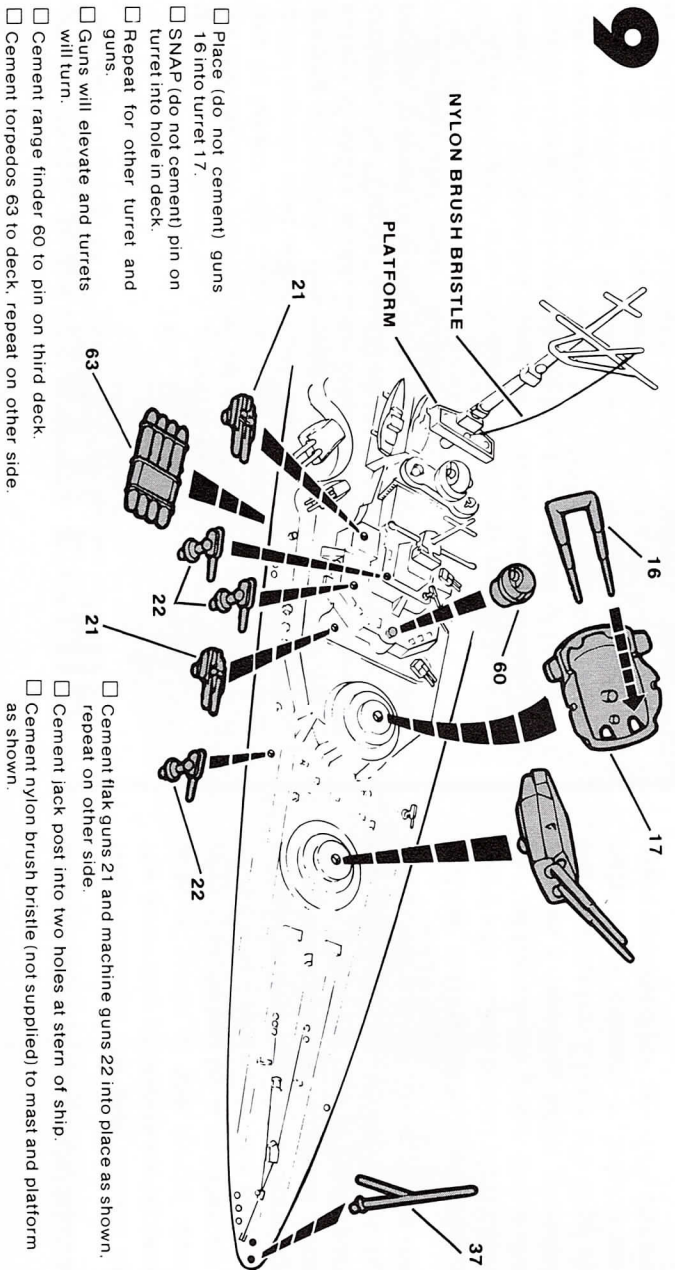
### CEMENT:

- range finder 60 and search lights 34 to platform 8, then assembled platform to deck house.
- antenna 14 to radar 1, then assembled part to rear top deck.

Cement assembled mast to hangar and hanger to deck.

Two flak guns 64 and gun 19 to deck as shown. Repeat on other side.

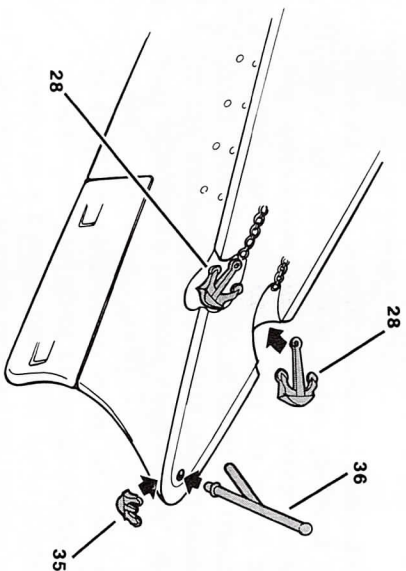
# 9



- Place (do not cement) guns 16 into turret 17.
- SNAP (do not cement) pin on turret into hole in deck.
- Repeat for other turret and guns.
- Guns will elevate and turrets will turn.
- Cement range finder 60 to pin on third deck.
- Cement torpedos 63 to deck, repeat on other side.

- Cement flak guns 21 and machine guns 22 into place as shown, repeat on other side.
- Cement jack post into two holes at stern of ship.
- Cement nylon brush bristle (not supplied) to mast and platform as shown.

# 10



Cement deck to top edge of hull and hold in place until cement sets.

- Cement two anchors 28 flush with deck at bow.
- Cement anchor 35 to front of ship.
- Cement pole 36 to deck at bow.

## PAINTING

You can assemble an attractive model without painting. If you choose to paint your model, use only **PAINT FOR PLASTICS** or an **ENAMEL**.

It is best to paint some of the smaller parts before removing them from the plastic trees. Use a small pointed brush for the small parts and a ¼ inch soft brush for large areas.

Allow the paint to dry thoroughly before handling the parts. Paint should be scraped from areas to be cemented because cement will not adhere to the paint.

**RED** — Hull below waterline.

**BLACK** — Stripe on waterline.

**GOLD** — Propellers.

**MEDIUM TAN** — Surface of deck.

**LIGHT GRAY** — Pattern on side of hull and sides of superstructure.

**DARK GRAY** — Pattern on side of hull, top surfaces of superstructure and raised areas on deck.

**AIRPLANES** — Medium and dark green camouflage, silver canopy and black propeller.

