

0/A76506

A Hornby Product



Hornby Hobbies Limited
Margate Kent
CT9 4JX UK
+44 (0) 1843 233525

Made in India

Contents may vary from those illustrated



Not suitable for children under 36 months. It contains small parts which can present a choking hazard. Please retain these details and the address for future reference. Caution Please remove all packaging before giving the toy to a child.

WARNING

www.airfix.com

MIC07 P91004
A76506W 40 979



Join the AIRFIX CLUB

- An Exclusive Club Edition Kit
- Flying Hours Passport
- Club Badge
- The Airfix Catalogue
- Club Membership Card
- A Quarterly Club Magazine
- Various Club Discounts

Being a member of the Airfix Club you will get to enjoy:

never been released before.

The Airfix Club enables you to get first hand information on new Airfix Kits and keeps you up to date with all the latest Airfix news. The club package also contains a special edition kit that has

Join the Official AIRFIX CLUB for exclusive offers and much more!

This pack has been specially designed for Project Airfix and is not for resale.



1 SKILL



1:72 MESSERSCHMITT Bf109E-3

A76506 MODEL KIT • MAQUETTE A MONTER • MODELLBAUSATZ • MODELLO A SCALA • BOUWMODEL • MAQUETA PARA MONTAR • PLASTBYGGESATS • RAKENUSSARJA • MODELO PARA CONSTRUIR • MODELBYGGESÆT • ΣΥΝΑΡΜΟΛΟΓΟΥΜΕΝΟ ΜΟΝΤΕΛΟ



Messerschmitt Bf 109E-3

Designed by Professor Willy Messerschmitt, a director of the manufacturers Bayerische Flugzeugwerke AG, the prototype Bf109A first flew in 1935. The first major production variant, the Bf109E, was introduced into Luftwaffe service in December 1938. The E model was more powerful, better armed and armoured and by the summer of 1940, over 500 were in service for the offensive against Great Britain. By this time, the 109E had already proved to be a competent, if not the world's best, fighter aircraft in the skies above Poland, France and the low countries. The 109E became a symbol of the Luftwaffe over England during the Battle of Britain and along with the Supermarine Spitfire and Hawker Hurricane, it became one of the most

famous fighter aircraft of all time. However, in the skies over southern England in 1940, the 109E first had its shortcomings exposed. Its range was limited, with endurance over London being just five minutes. It was also unable to turn with either the Spitfire or the Hurricane, although its cannon armament was superior. It later served on the Eastern Front, as well as over the Western Desert.

Maximum Speed: 354 mph; Range: 412 miles at 250 mph cruising speed.

Wing span: 9.85 m; Length: 8.63 m;

Height (over nose, tail on ground) 2.58 m.

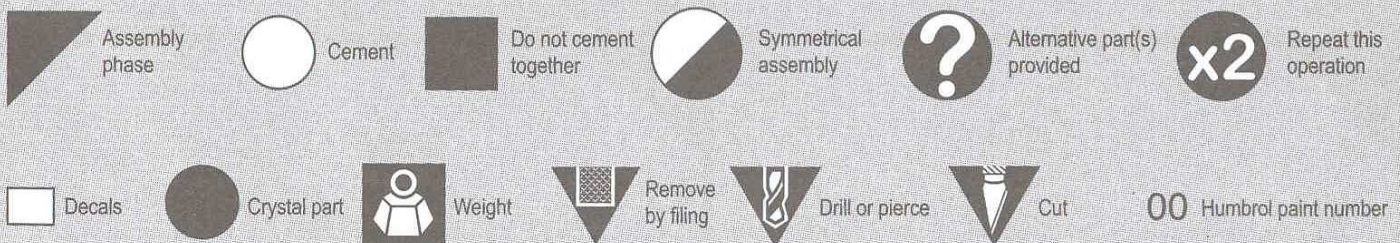
Armament: 2 x wing mounted 20 mm MG FF cannons and 2 x nose mounted 7.9 mm MG17 machine guns.

Assembly Instructions

Study drawings and practise assembly before cementing parts together. Carefully scrape paint from cementing surfaces. All parts are numbered. Paint small parts before assembly. To apply decals cut sheet as required, dip in

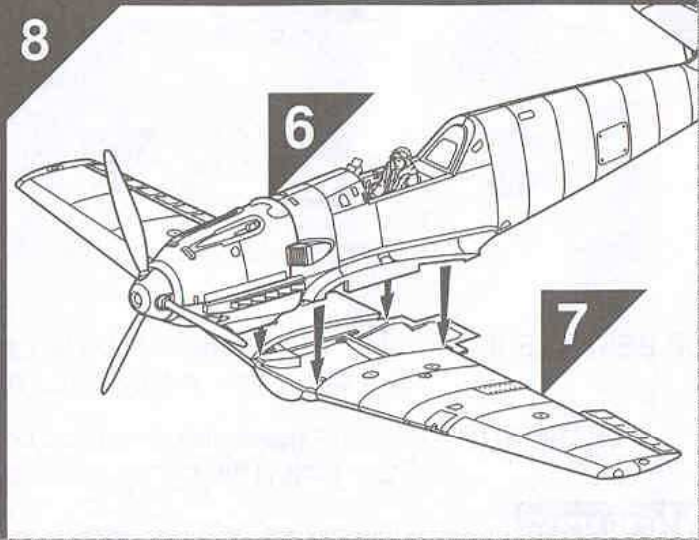
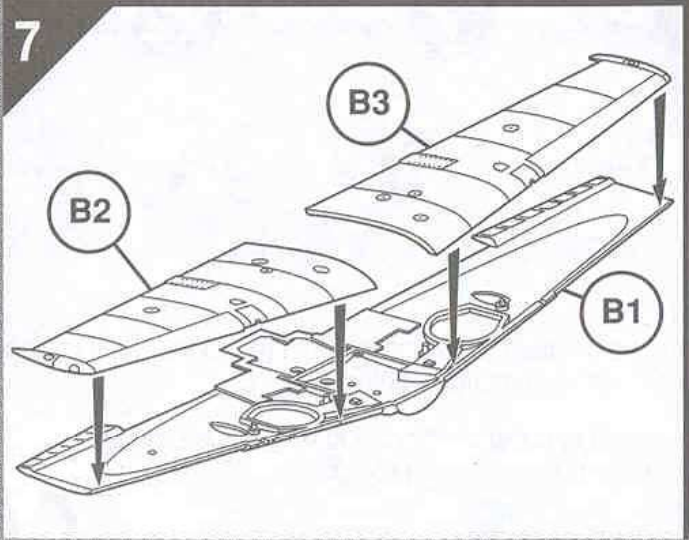
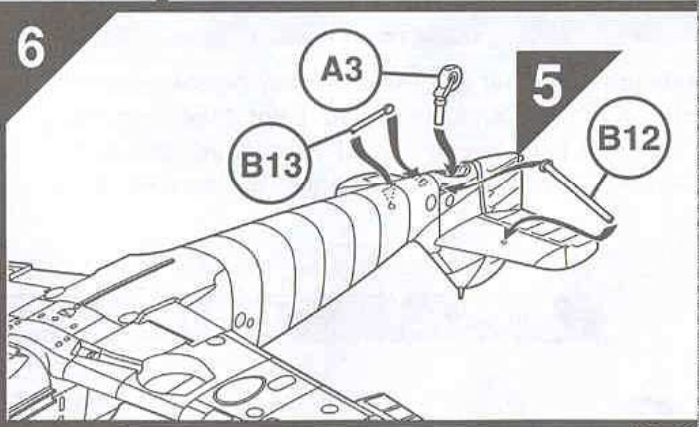
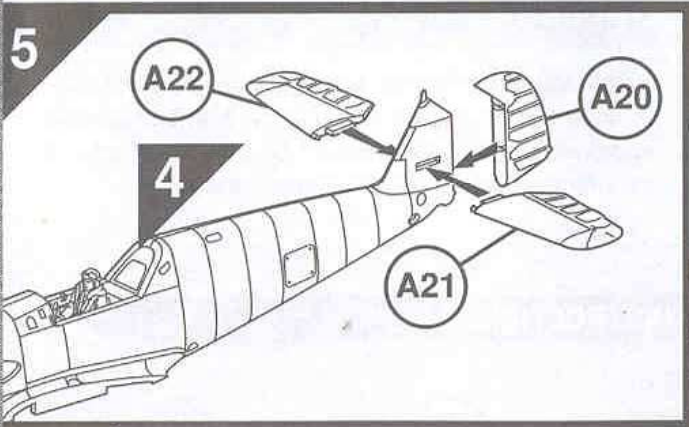
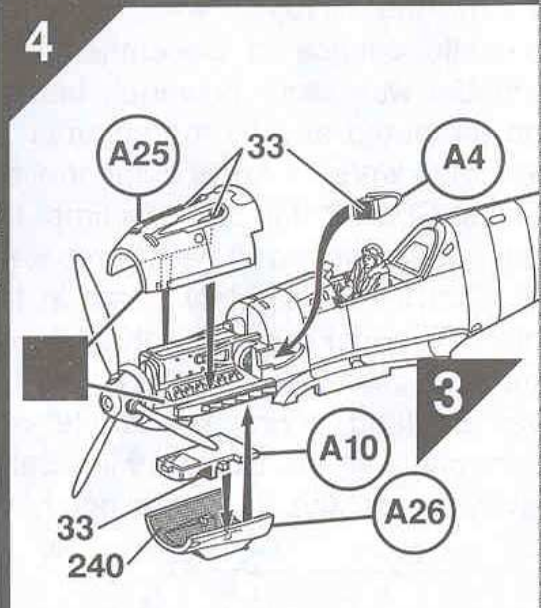
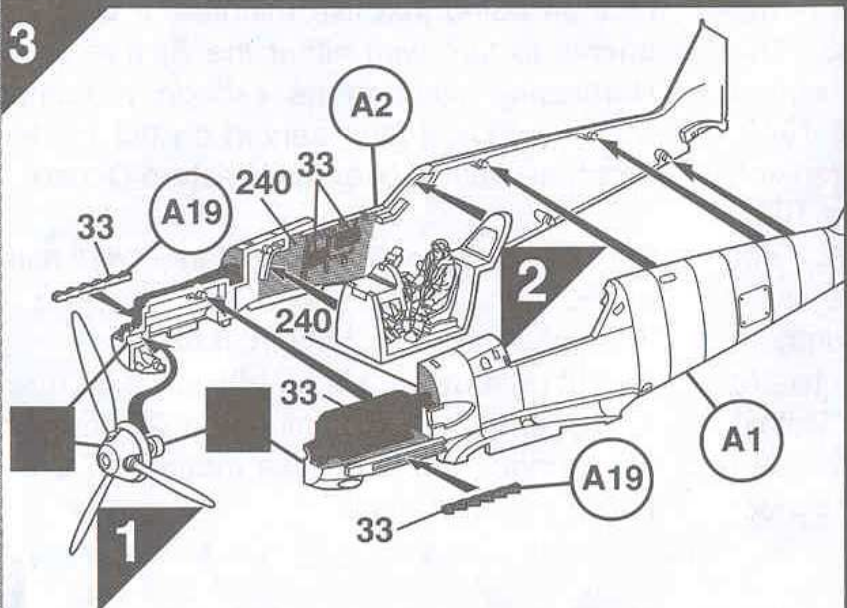
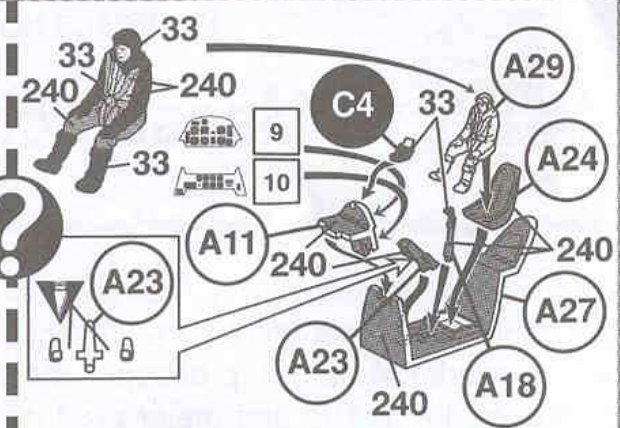
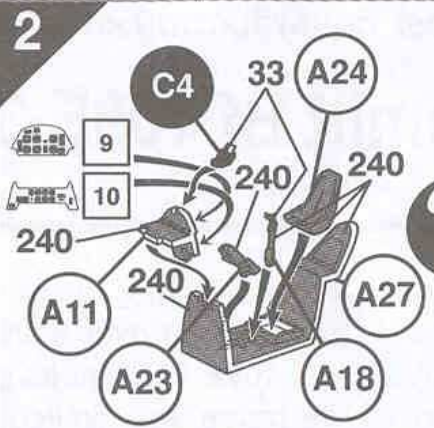
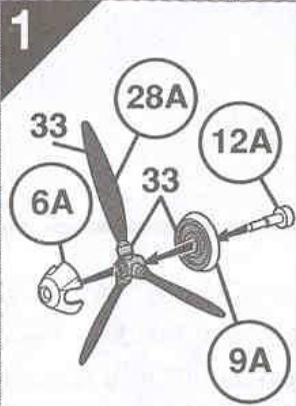
warm water for a few seconds, slide off backing into position shown. Use in conjunction with box artwork. Not appropriate for children under 36 months of age, due to the presence of small detachable parts.

ASSEMBLY ICON INSTRUCTIONS

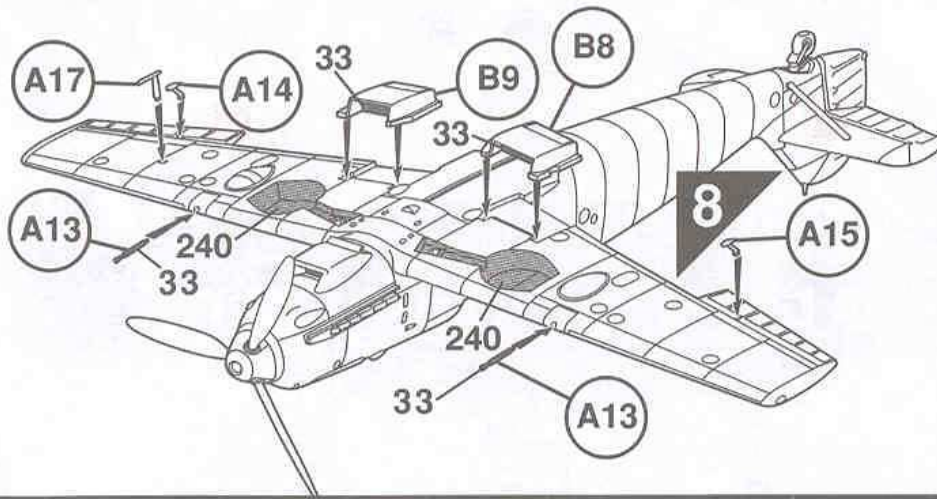


FOR BEST RESULTS: Surfaces to be painted should be clean - before parts are removed from the sprue, wash in warm, soapy water, rinse and dry thoroughly. Stir paints thoroughly before use.

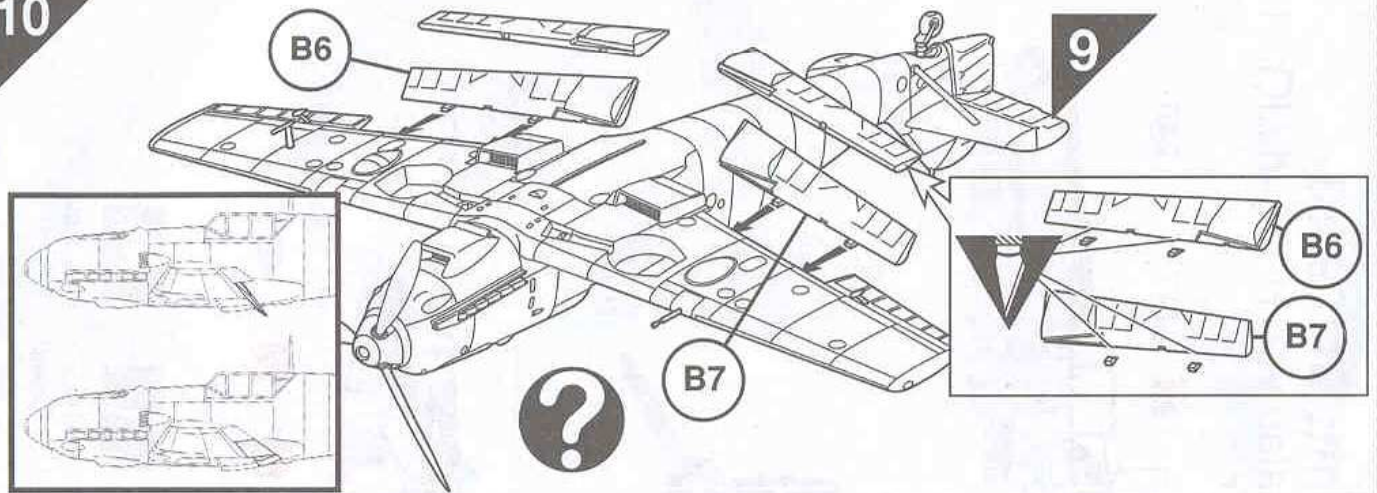
PLEASE NOTE: Additional paints may sometimes be required to complete models to a higher specification. Some parts in the kit may not be required to build the model specified.



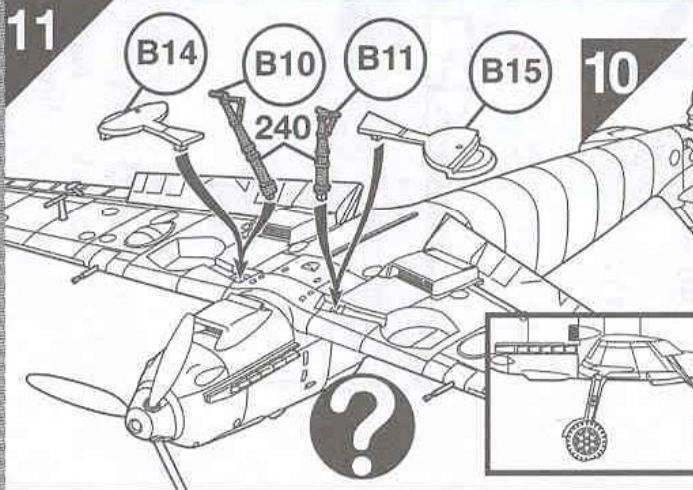
9



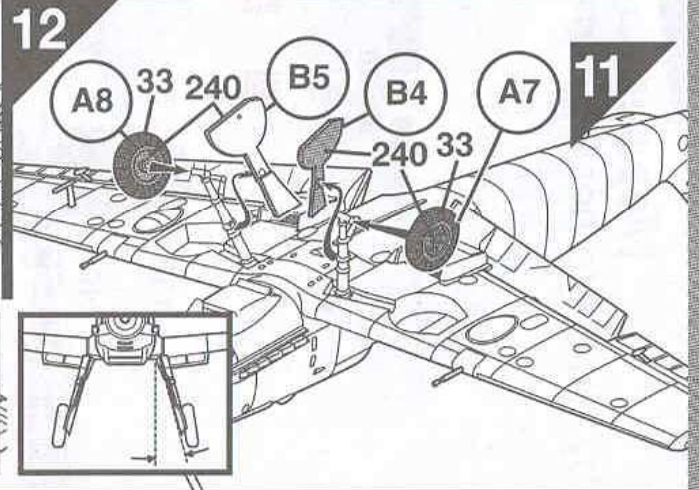
10



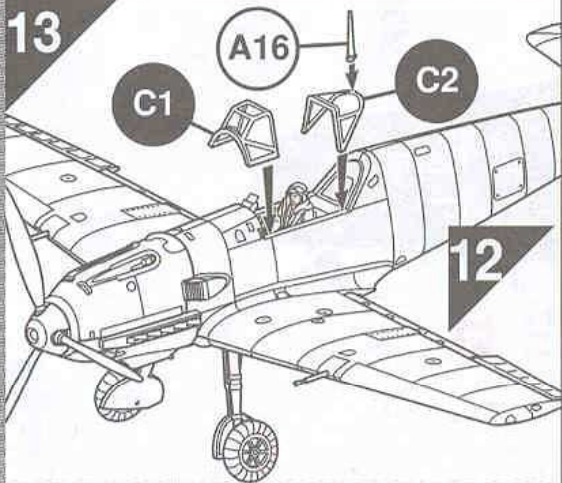
11



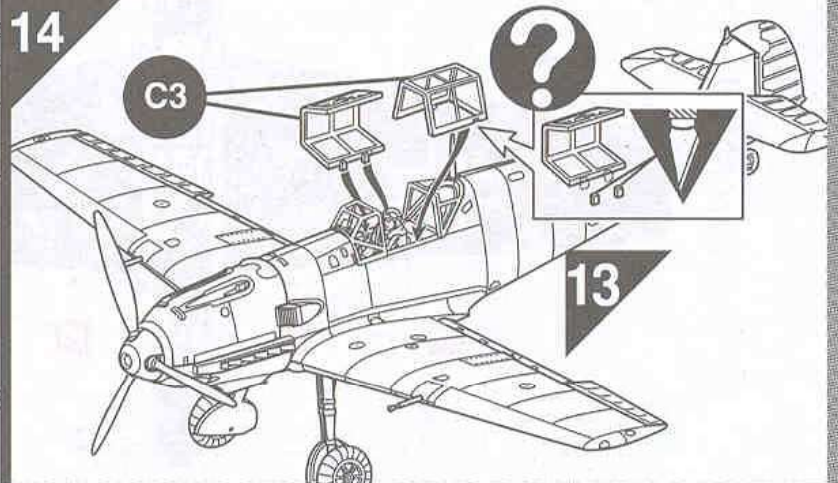
12



13

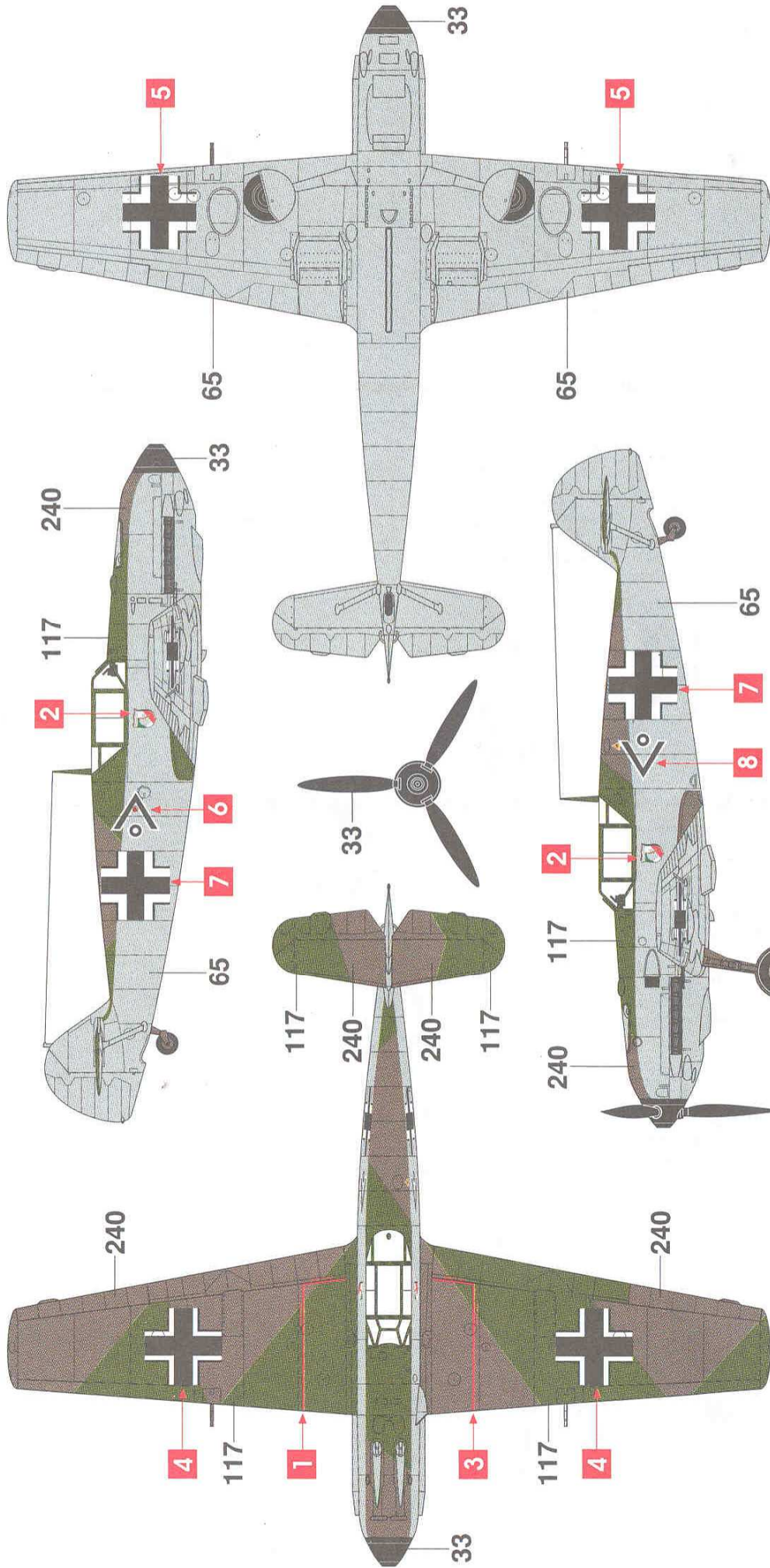


14



Messerschmitt Bf109 E3

Aircraft flown by Obit. Werner Pichon-Kalau von Hofe, III./JG 51, France, 1940.



- 33** Matt Black
- 65** Matt Aircraft Blue
- 117** Matt U.S. Light Green
- 240** Grau Matt

AIRFIX CLUB ENROL NOW!

Join the Official Airfix Club today, from only £7.99

YOU'LL ALSO RECEIVE

- Three Airfix Club Magazines
- The Latest Airfix Catalogue
- Plus many other special discounts
- Discounts Off Magazine Subscriptions
- Club Membership Card
- Club Collect Back
- Plus those gifts plus a Passport to save the flying hours for our collectors (sum 'til box) - see below and receive FREE!

Exclusive Club Edition Kits

To join, or to find out more about the Airfix Club visit www.airfix.com

email: club@airfix.com or Call: 0844 8150592

AIRFIX CLUB Membership Application Form

The downloadable package costs only £7.99 a year and contains all the items listed overleaf, but you will receive your annual catalogue and three magazines by email. To apply for this package visit www.airfix.com and click on 'get connected'.

For £9.99 the postal version of the Club also contains all the items overleaf, and then you will receive a further two magazines through the year. Please apply below.

All memberships last for 12 months from joining.

The Airfix Club is available outside the UK but only via the downloaded version. Please visit www.airfix.com for more information. Download and postal Members can also subscribe to a '+Kit' and '+Kit & Catalogue' package respectively - see the form below!

Title _____ First name _____ Surname _____
 Address _____ Country _____
 Post Code _____ Telephone no. _____
 Date of Birth _____ Email _____

Where did you find this leaflet? Product Bookshow Shop Other
 Are you an existing member renewing? Yes No

I am applying for the UK Download Membership (No Kit) £7.99 Yes
 I am applying for the UK Postal Membership (No Kit but voucher for free catalogue) £9.99 Yes
 I am applying for the UK Download Membership (+Kit) £17.98 Yes
 I am applying for the UK Postal Membership + (Kit+Catalogue) £19.98 Yes

For non-UK Memberships - go to www.airfix.com

I have enclosed a cheque/postal order/credit card amount for £ _____
 Card number _____
 Valid from _____ / _____ / _____ Expiry date _____ / _____ / _____
 Name or card _____ Signature _____
 Date _____ These digit security code _____
 Please make all cheque/postal orders payable to **Hobby Hobbies Ltd** (do not send cash)

Signature of Member (or if under 18 years Parent/Guardian) _____
 I would like to sign-up for the Airfix email Newsletter email _____
 I would like to hear more about Project Airfix by post by email by mail serial _____

Please return your completed application form together with payment to:
 The Airfix Club, P.O. Box 25, Melton Mowbray, Leicestershire, UK, LE13 1ZG

www.airfix.com

M6599