

Leopard 2A6M CAN

カナダ陸軍レオパルト 2A6M 加拿大豹2A6M主战坦克

PLEASE READ BEFORE OPERATION!

- * Tools recommended as below: (Not included)
Adhesives; Paints; Side Cutters; Sharp Edged Pliers; Modeling Knife; Modeling File; Nippers; Drill; Scissors; Sand Paper; Soft Cloth; Cyanoacrylate Glue.
- * Make sure to read this instruction listed below before assembling.
- * The kit contains the small parts, they can be dangerous if swallowed by mistake, so keep them away from reach of children.
- * Cut the all parts off carefully and remove the waste parts into the garbage can.
- * More caution and care should be needed for cutting and handling the photo etched parts.
- * Make attention that some parts should be attached the decal when assembled.
- * During assembling, please tear up and throw away the plastic bags, or may cause the dangerous if wearing over head by children's mistake.
- * When using the adhesives and paints, please do not use them in the closed room or near the fire, also must be very careful to protect your eyes, face and clothes.
- * Adult supervised when assembled by children under 14 years old.

装配前请仔细阅读:

- * 推荐使用的模型工具(请自备):
专用模型胶水, 专用模型油漆, 水口剪刀, 长咀钳, 刀片, 锉刀, 镊子钳, 钻, 剪刀, 软布, 砂纸, 瞬间快干胶等。
- * 用水口剪刀或刀片小心切下所有塑胶零件和蚀刻片零件, 不要遗失小零件。
- * 切取蚀刻片时应特别注意防止利边划伤手指。
- * 用模型锉刀小心锉平所有零件表面的注射浇口。
- * 用适量的强力快干胶水粘合蚀刻片零件和金属轴, 切忌过量, 否则可能导致可动零件被粘住。
- * 注意某些零件表面需在装配时同步贴上水贴纸。
- * 制作时应远离幼儿并将包装袋及时收妥, 谨防小孩玩耍而引起意外。



using ca super glue
使用强力胶



weight
配重



make hole
钻孔



cut / remove
切除



option
选择



no cement
不涂胶水



decal
贴纸



bend
弯曲



repair
填补

The method to apply the decals

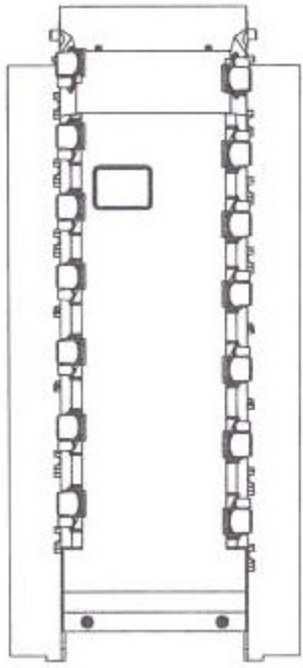
1. Cut off the decal from the decal paper and put it into the warm water 40°C for 10 seconds.
2. Take the decal from the water and put it on a piece of clean cloth.
3. Remove the decal slowly from the paper to the targeted location by a wet finger.
4. Use a piece of dry and soft cloth to press it gently on the decal until it getting dry and no bubble existing.

水贴纸的使用方法:

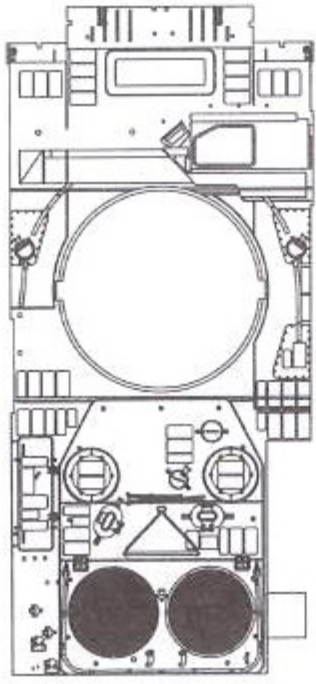
- 一. 把相关的印花从水贴上剪下, 放入40°C左右的温水中浸10秒。
- 二. 然后将印花放在干净的布上。
- 三. 拿上印花纸板, 手指蘸水将印花移到适当的位置。
- 四. 用软干布轻压印花直至水干, 气泡消失。

部品图 Parts

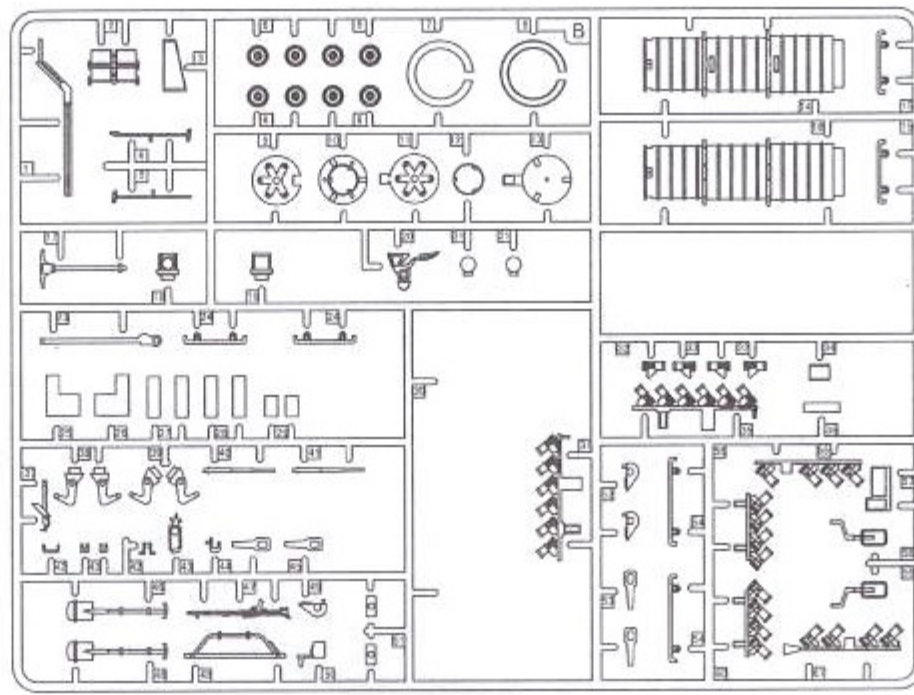
车底
Lower hull



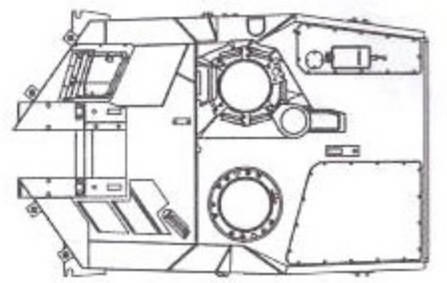
车面
Upper hull



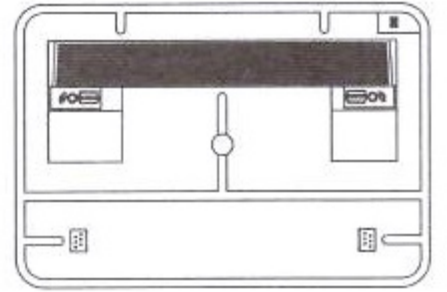
B



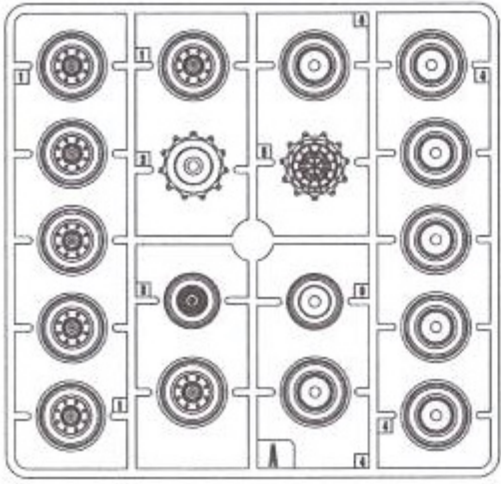
炮塔
Turret



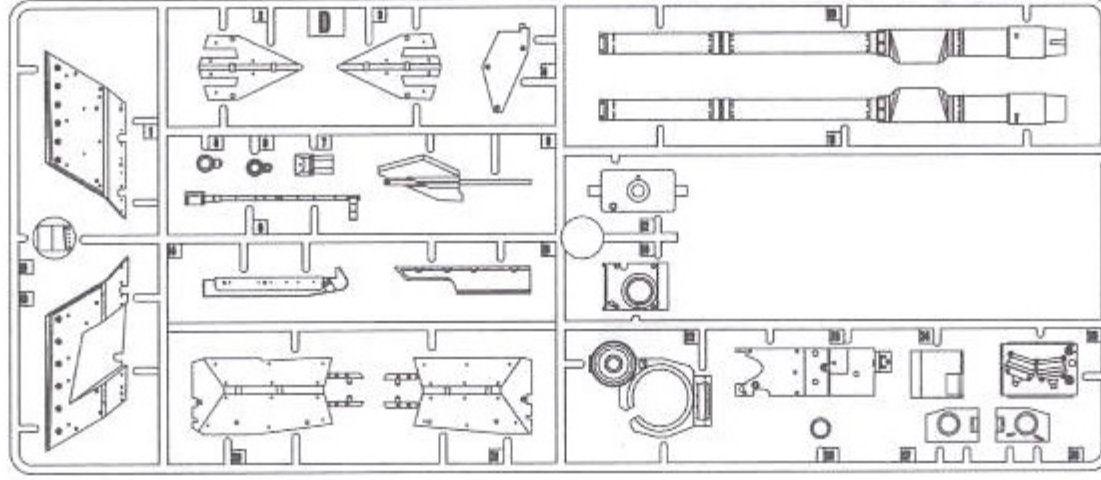
M



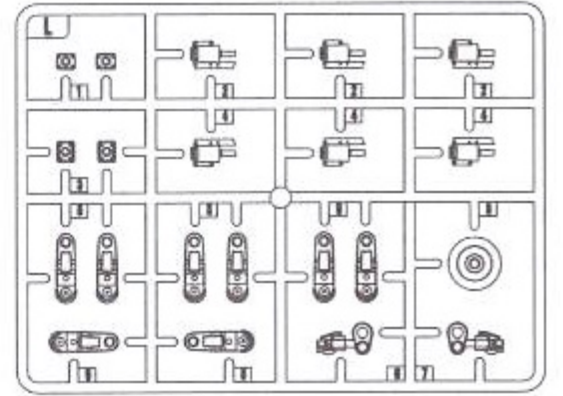
AX2



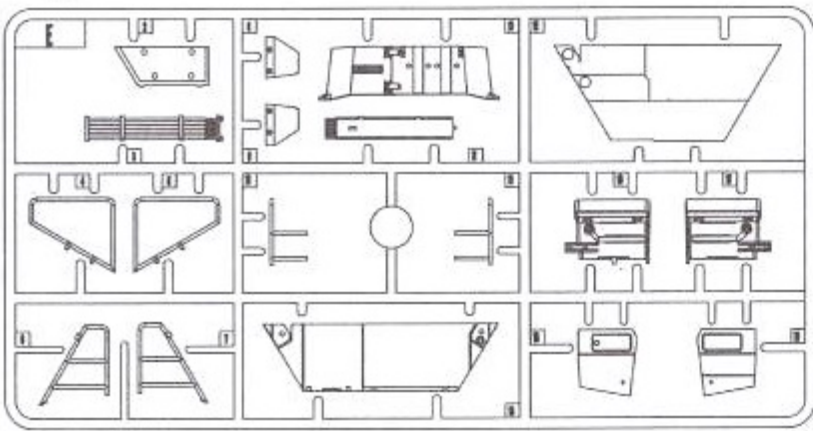
D



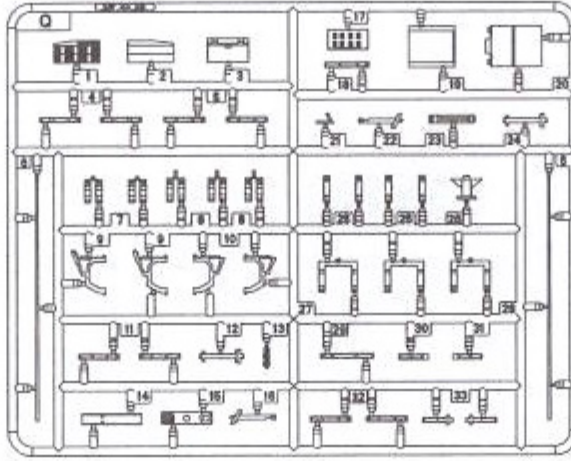
LX2



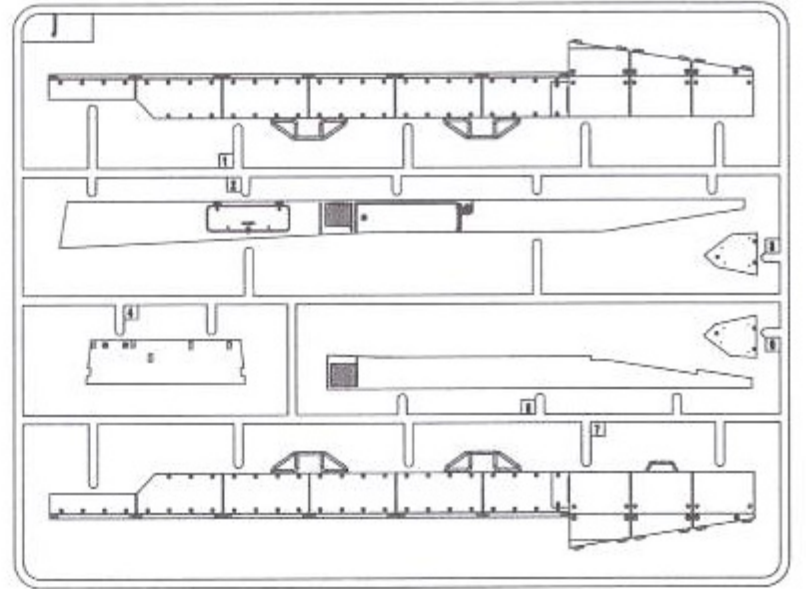
E



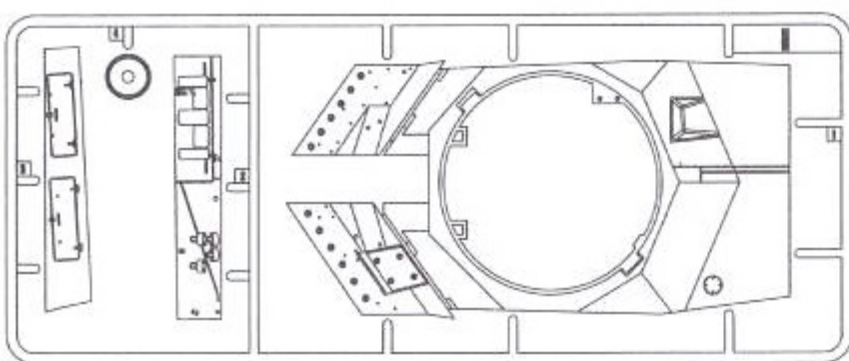
QX2



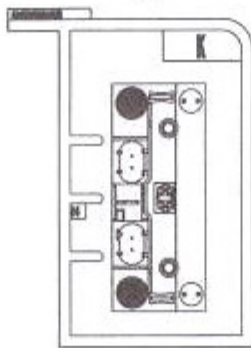
J



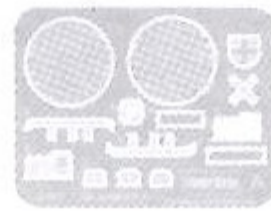
H



K



蚀刻片A
PE A



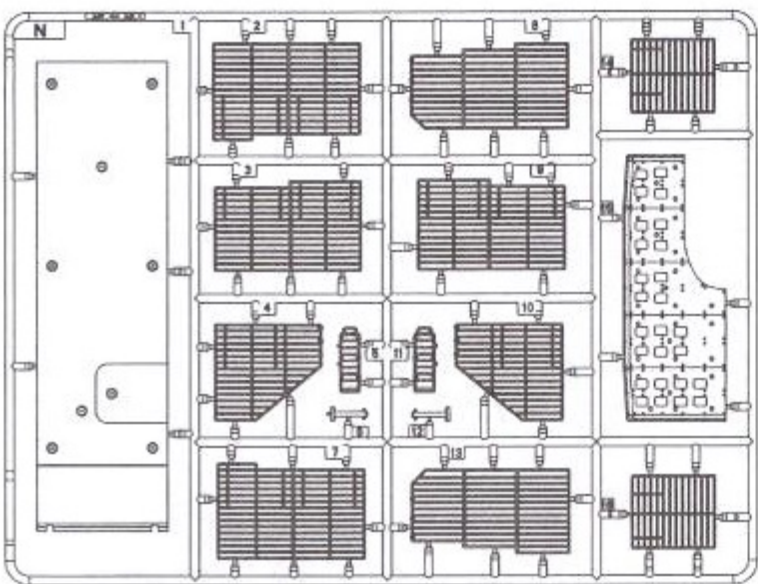
蚀刻片B
PE B



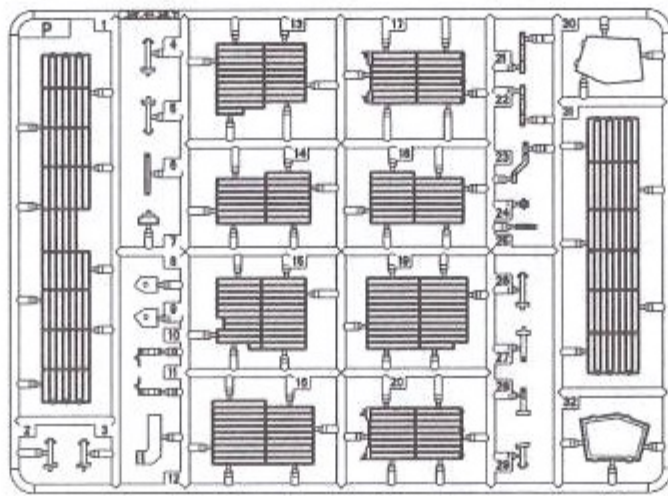
蚀刻片C
PE C



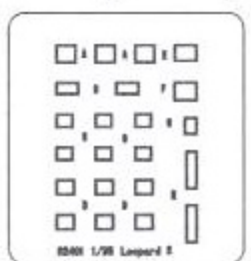
N



P



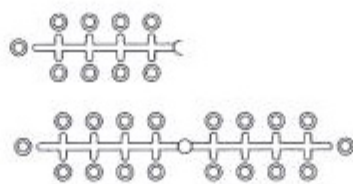
透明片
Transparent parts



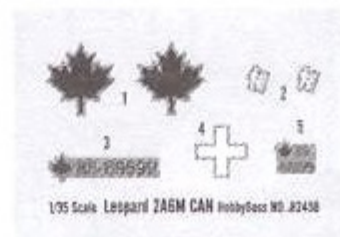
棉绳 \varnothing 0.8X300mm
Rope



聚乙烯套
Poly cap



水贴纸
Decal



食品箱
MRE ration packs



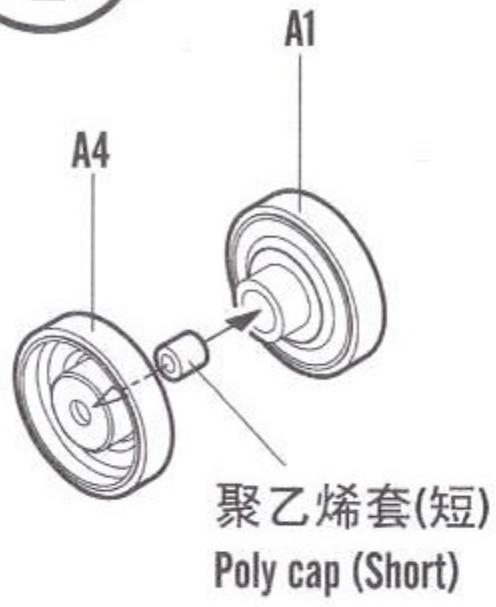
履带X2
Track



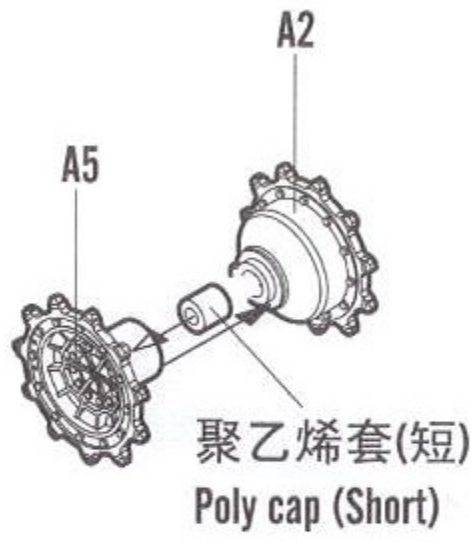
不用部品: B1.B4.B5.B7.B14.B16.B17.B18.B19.B29.B30.B31.B32.B33.B34.B35.B40.B41.B54.D5.E3.E11.J3.J6

Unused part:

1
STEP



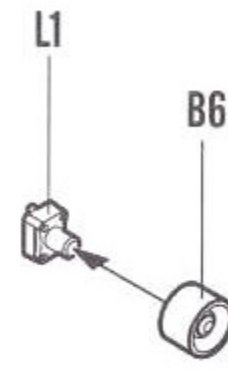
负重轮
Road wheels
制作14组
Make fourteen



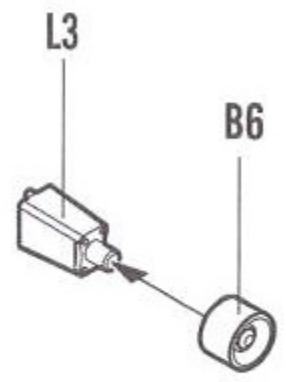
主动轮
Sprocket wheels
制作2组
Make two



诱导轮
Idler wheels
制作2组
Make two

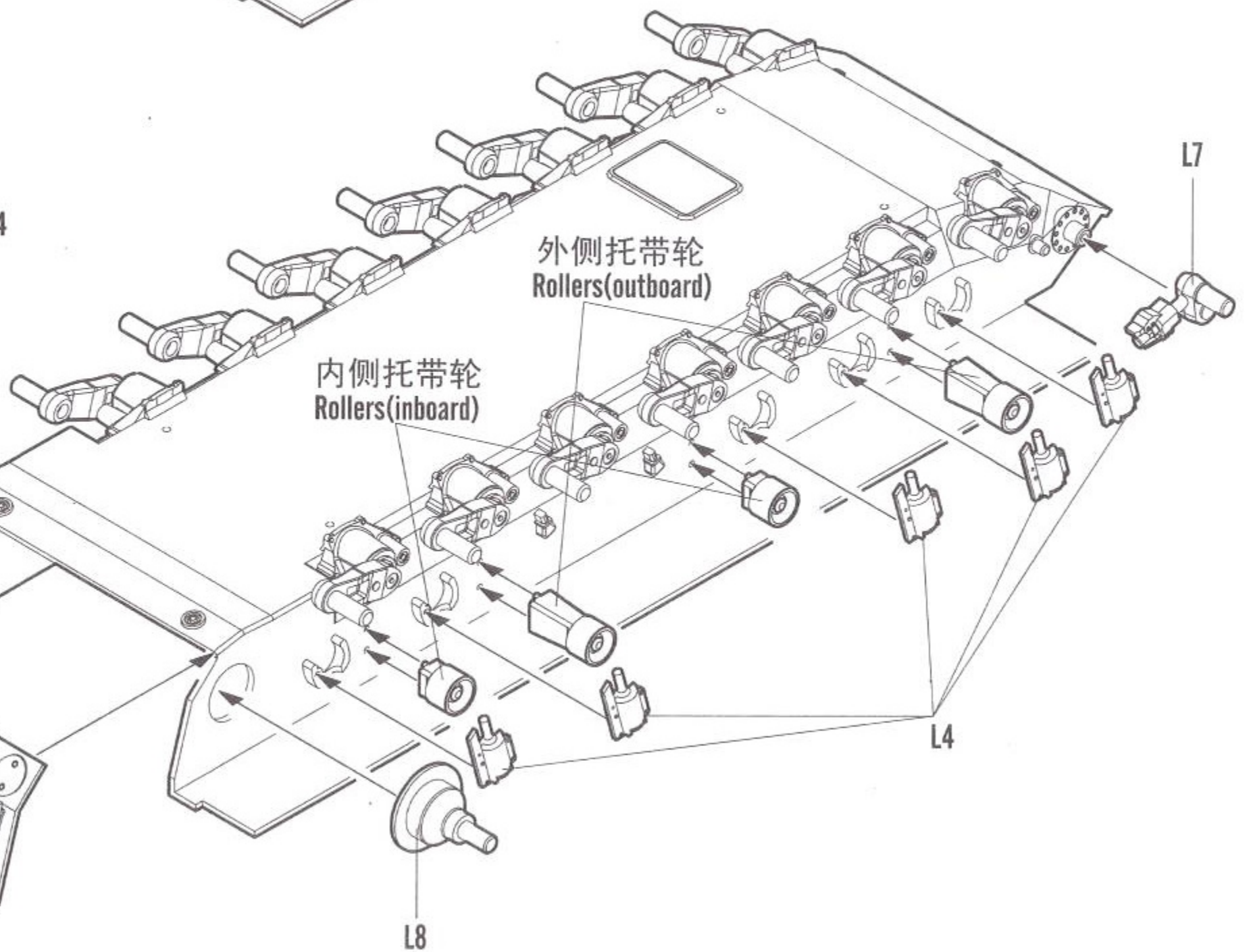
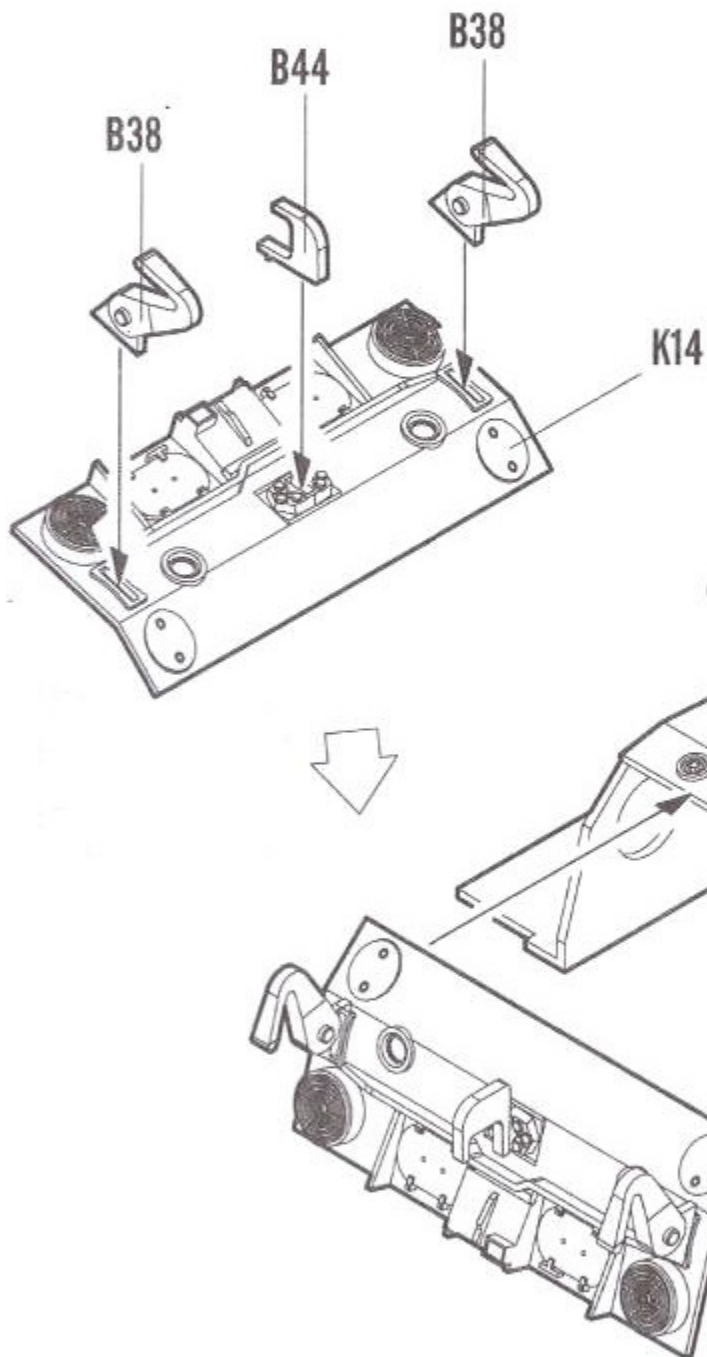
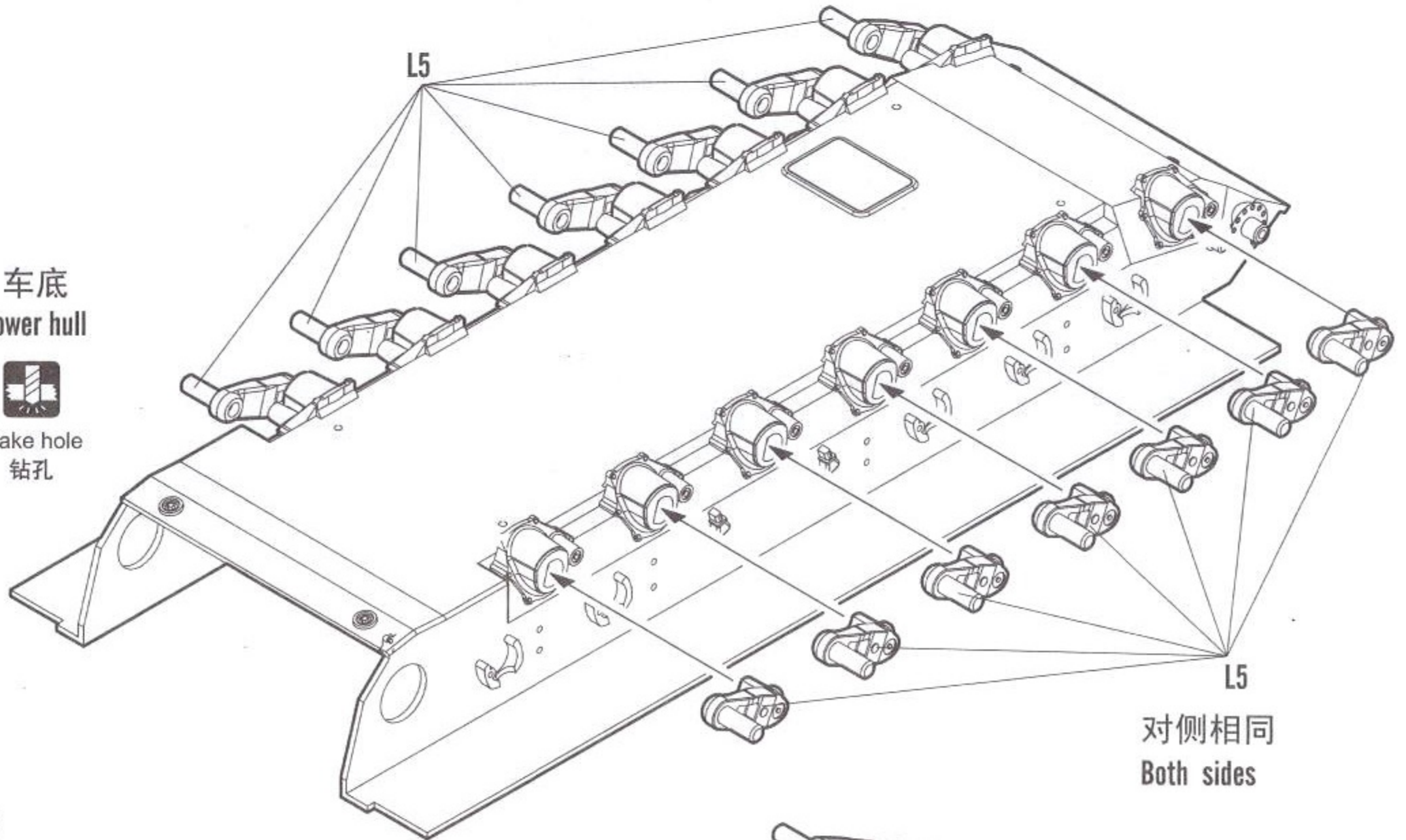
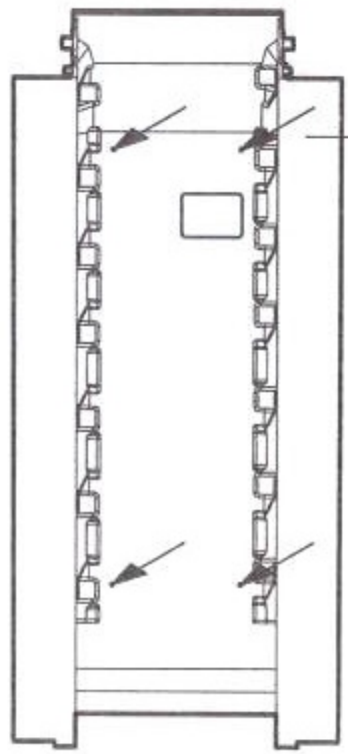


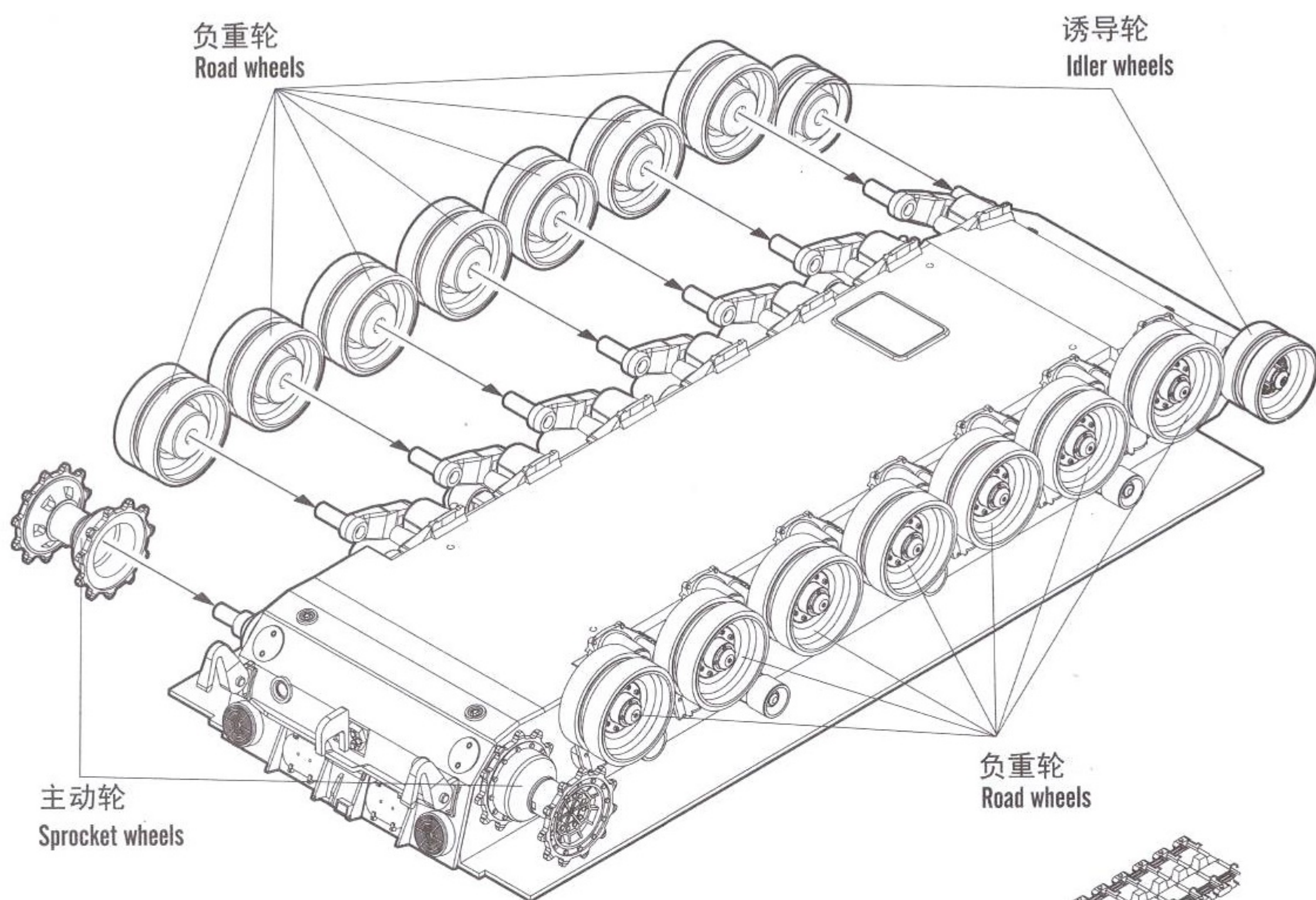
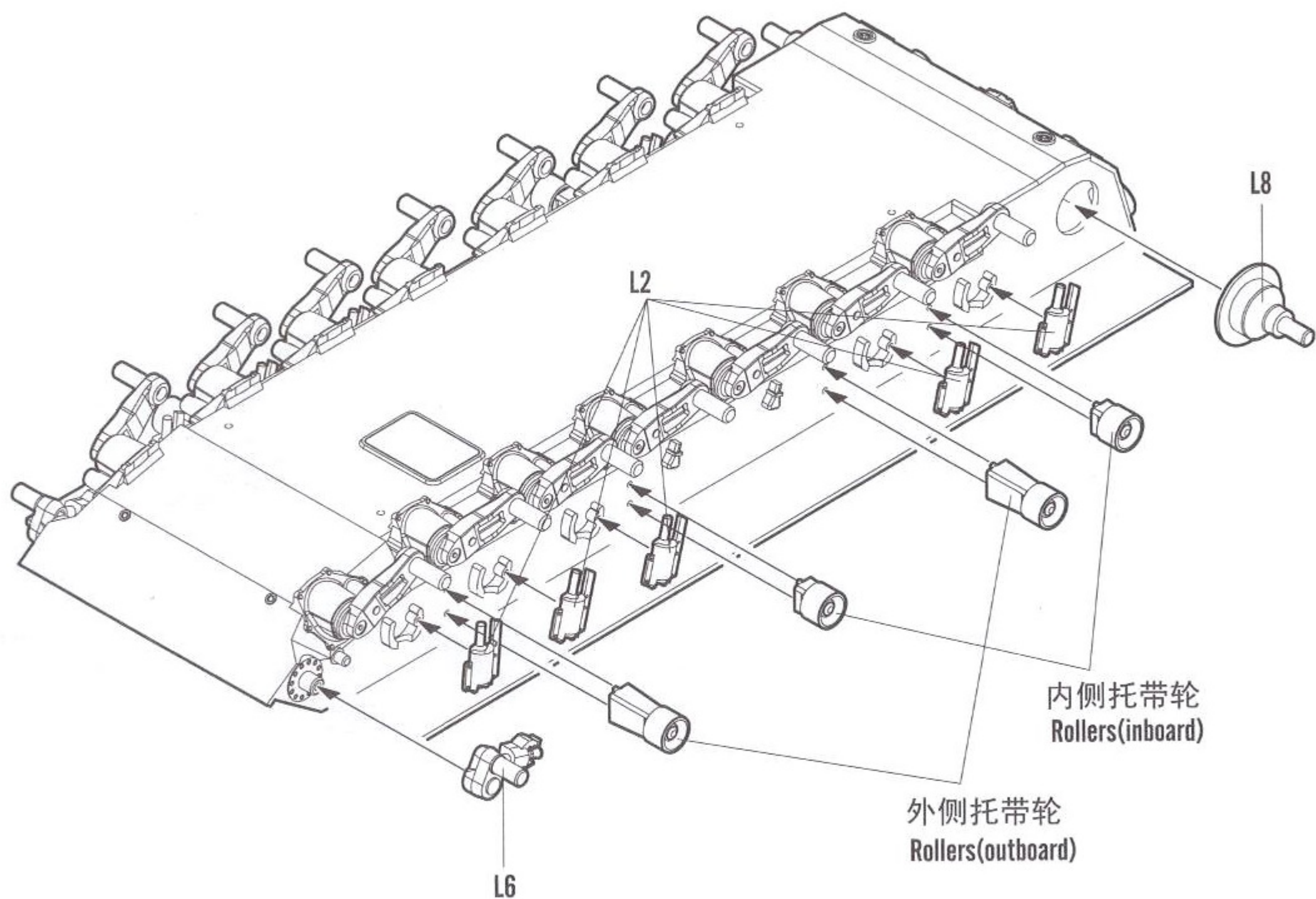
内侧托带轮
Rollers(inboard)
制作4组
Make four



外侧托带轮
Rollers(outboard)
制作4组
Make four

2
STEP

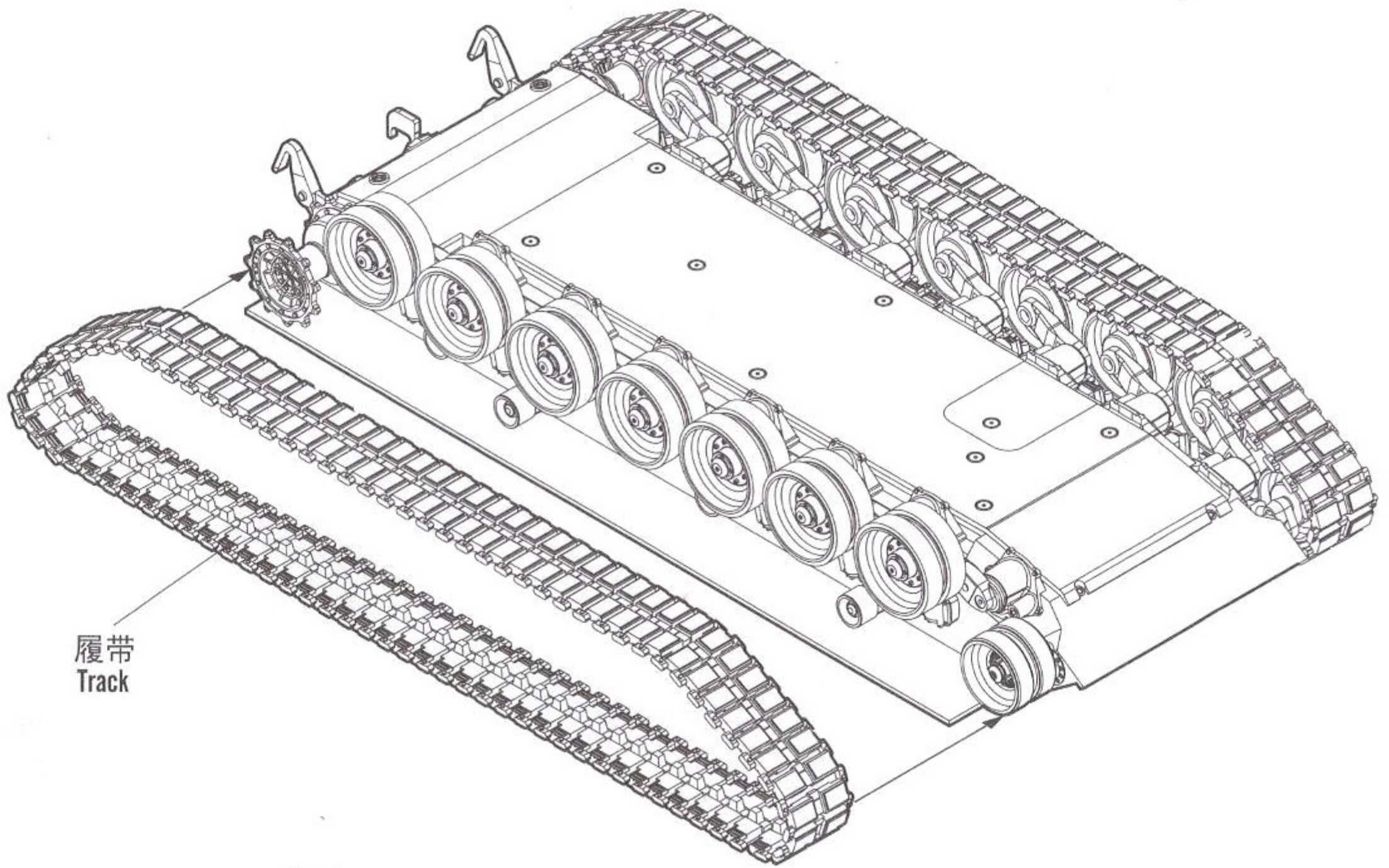
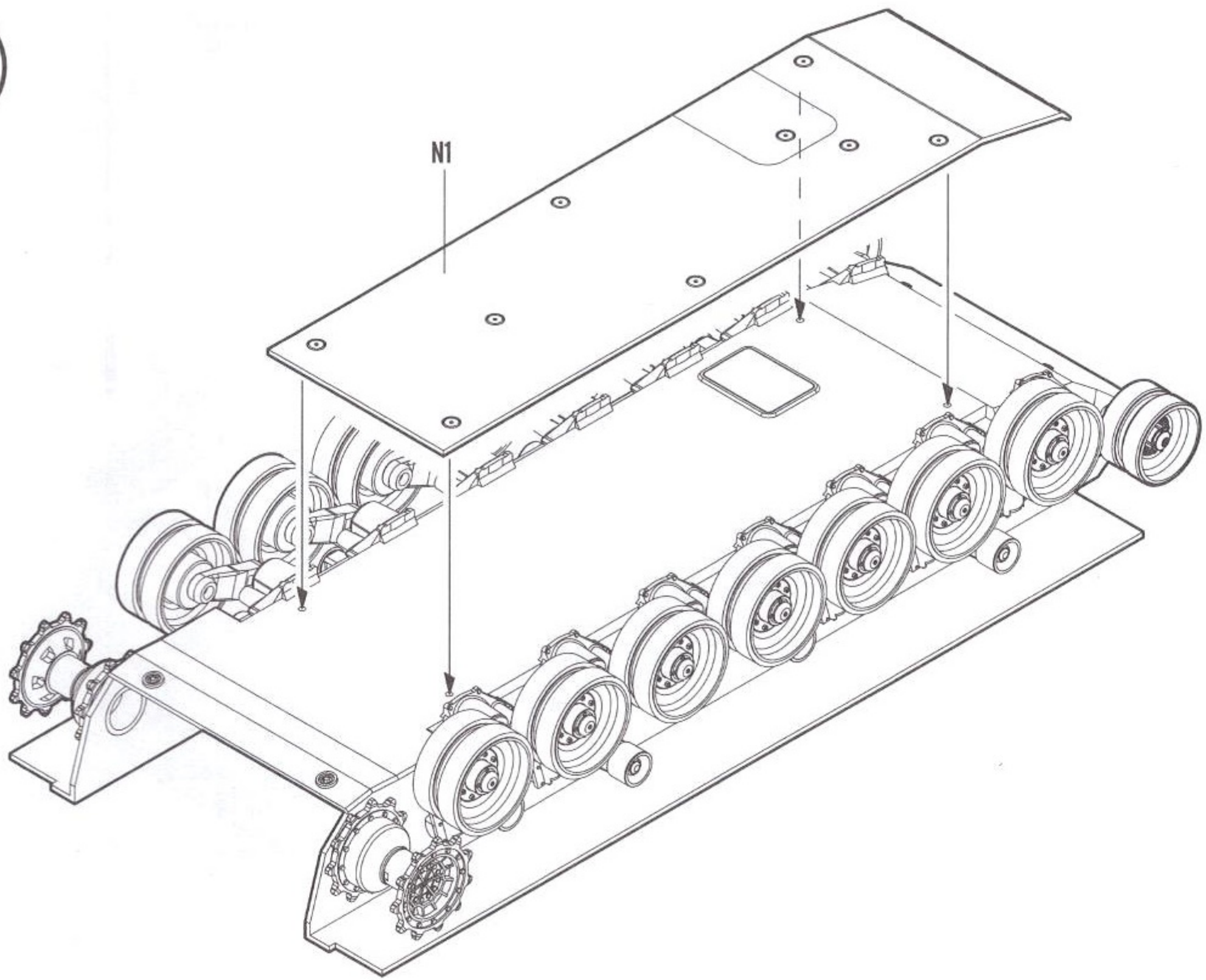




履带联接
Track construction

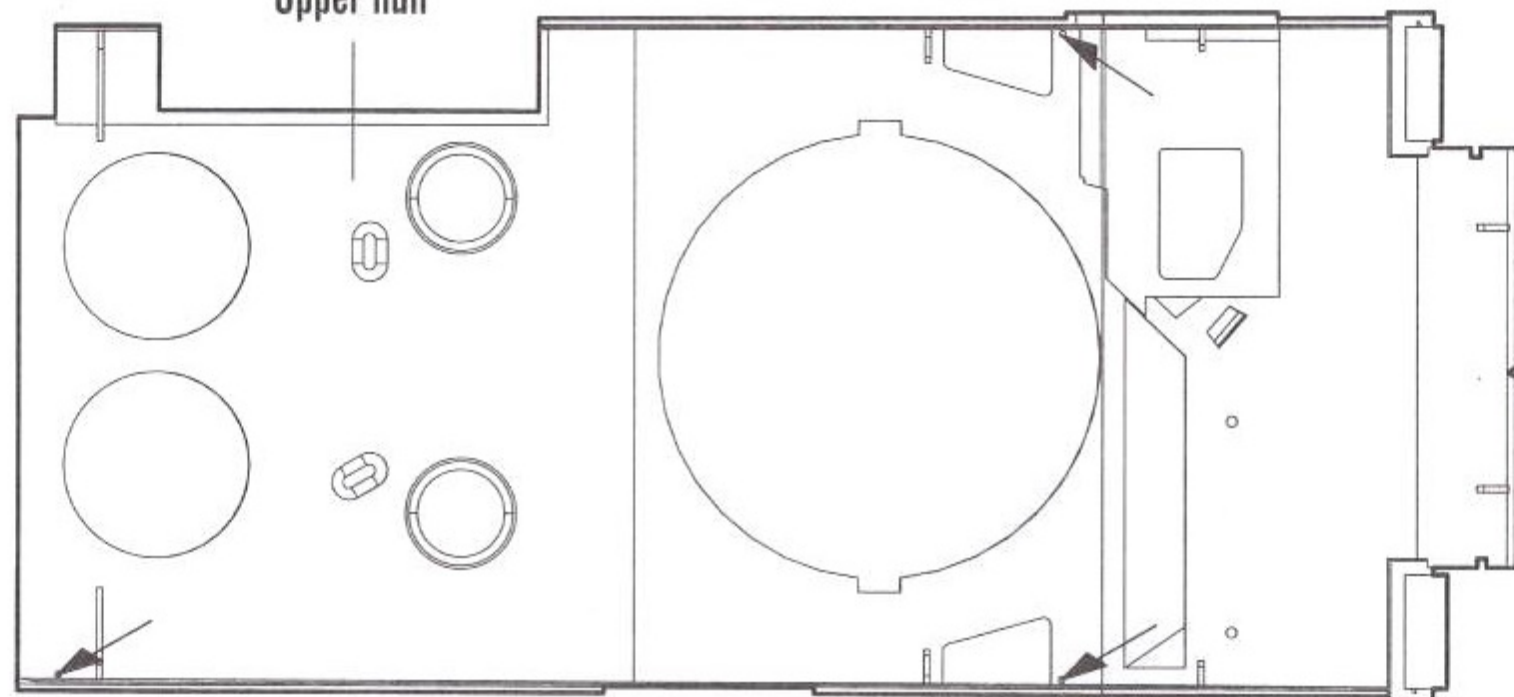
- * 履带可用塑料胶水粘合。
- * 履带可用模型油漆喷涂。
- * 若履带断裂，用细丝线固定。
- * The tracks in this kit can be glued using plastic cement.
- * The tracks can be painted using plastic paints.
- * If track is broken strengthen with staples or thread.





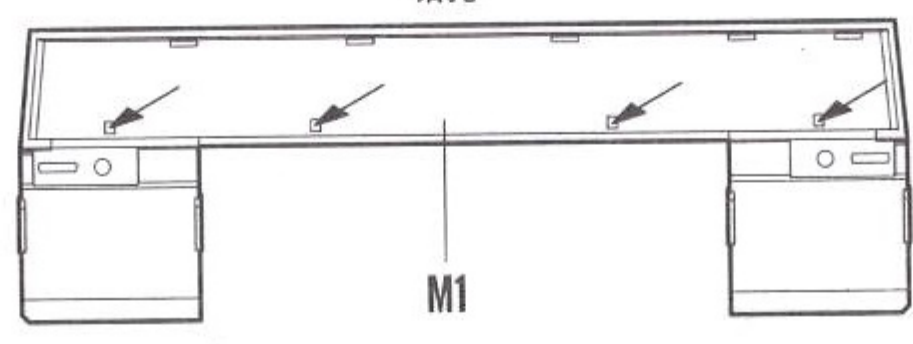
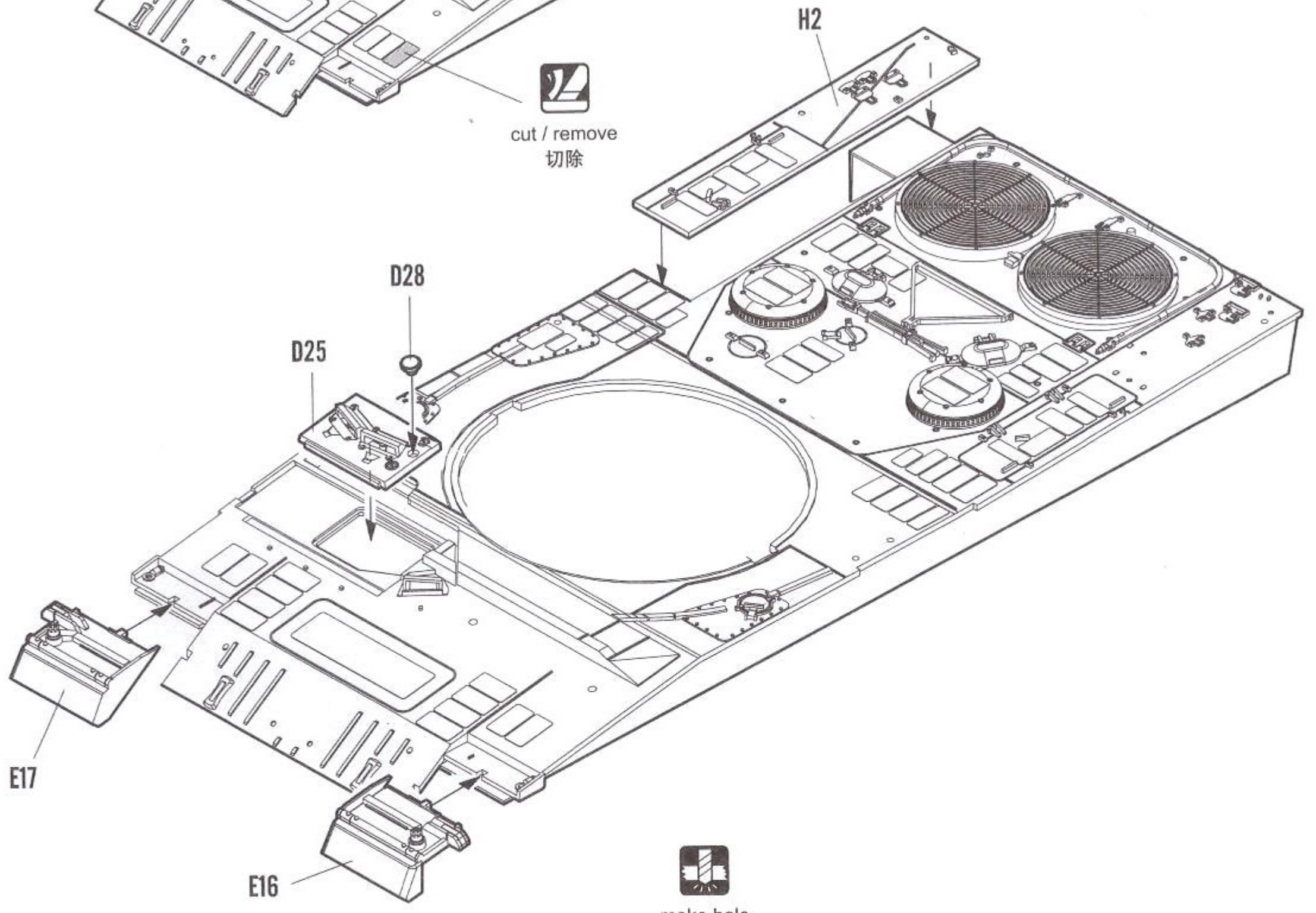
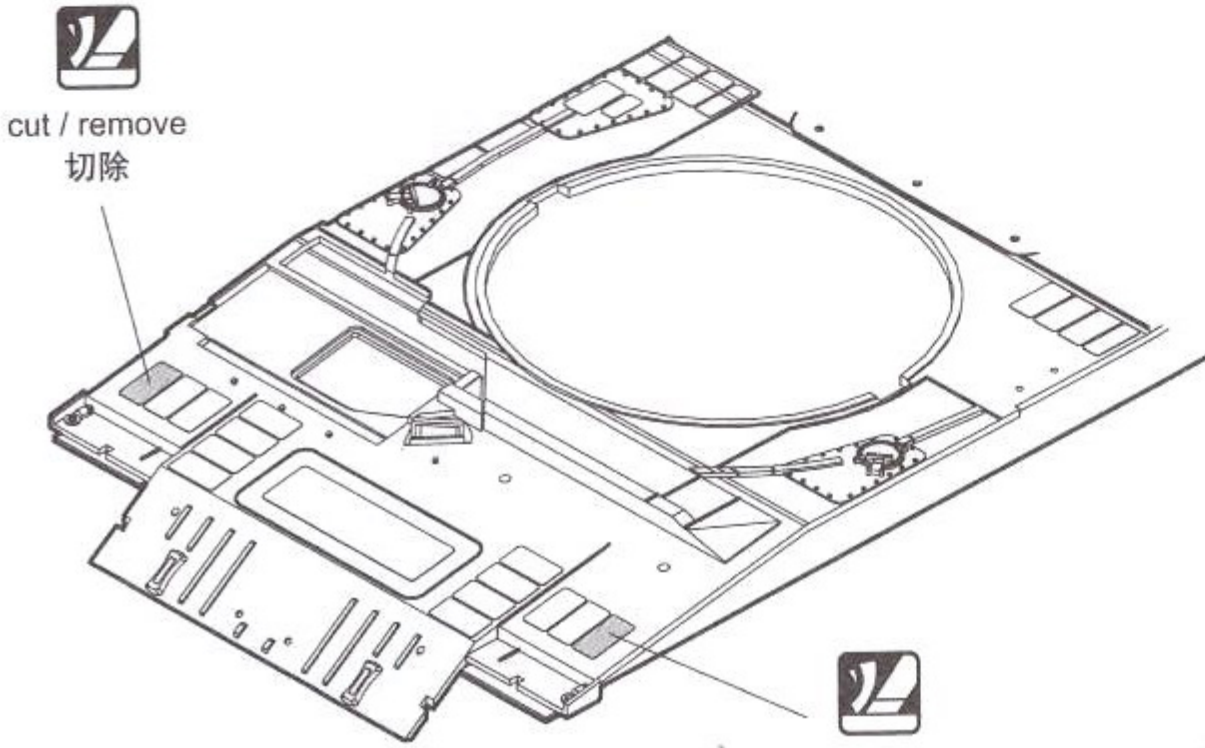
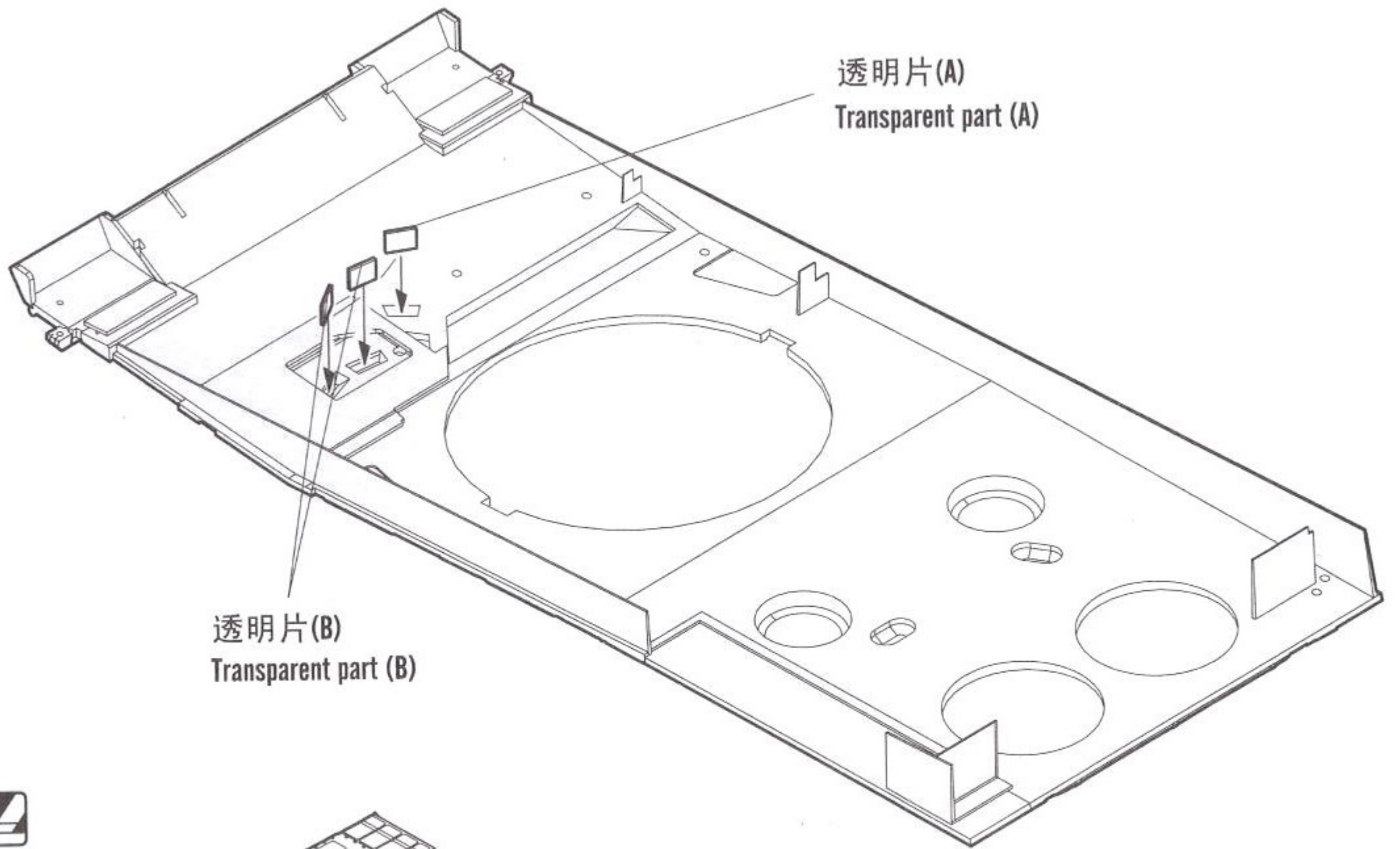
履带
Track

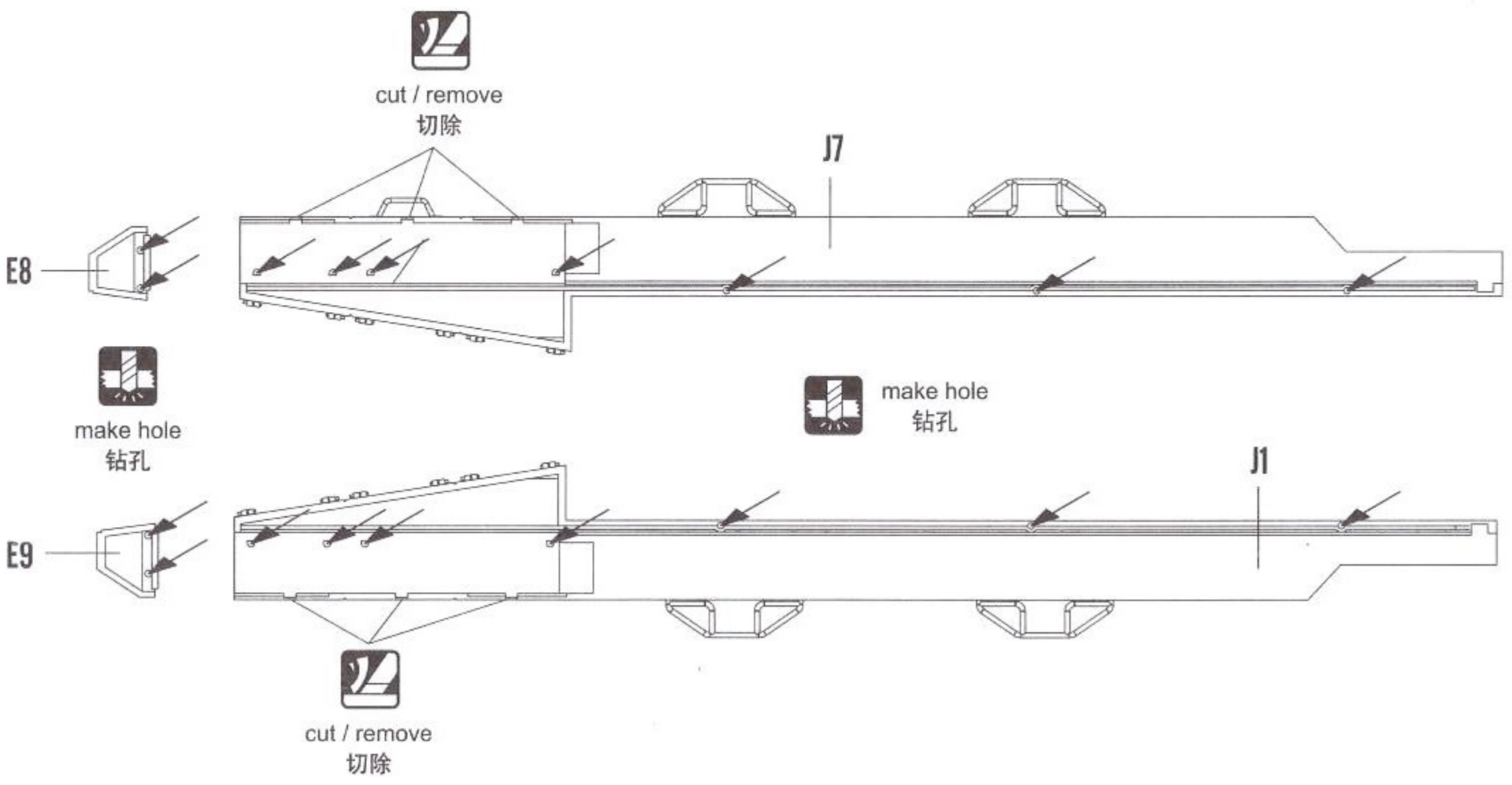
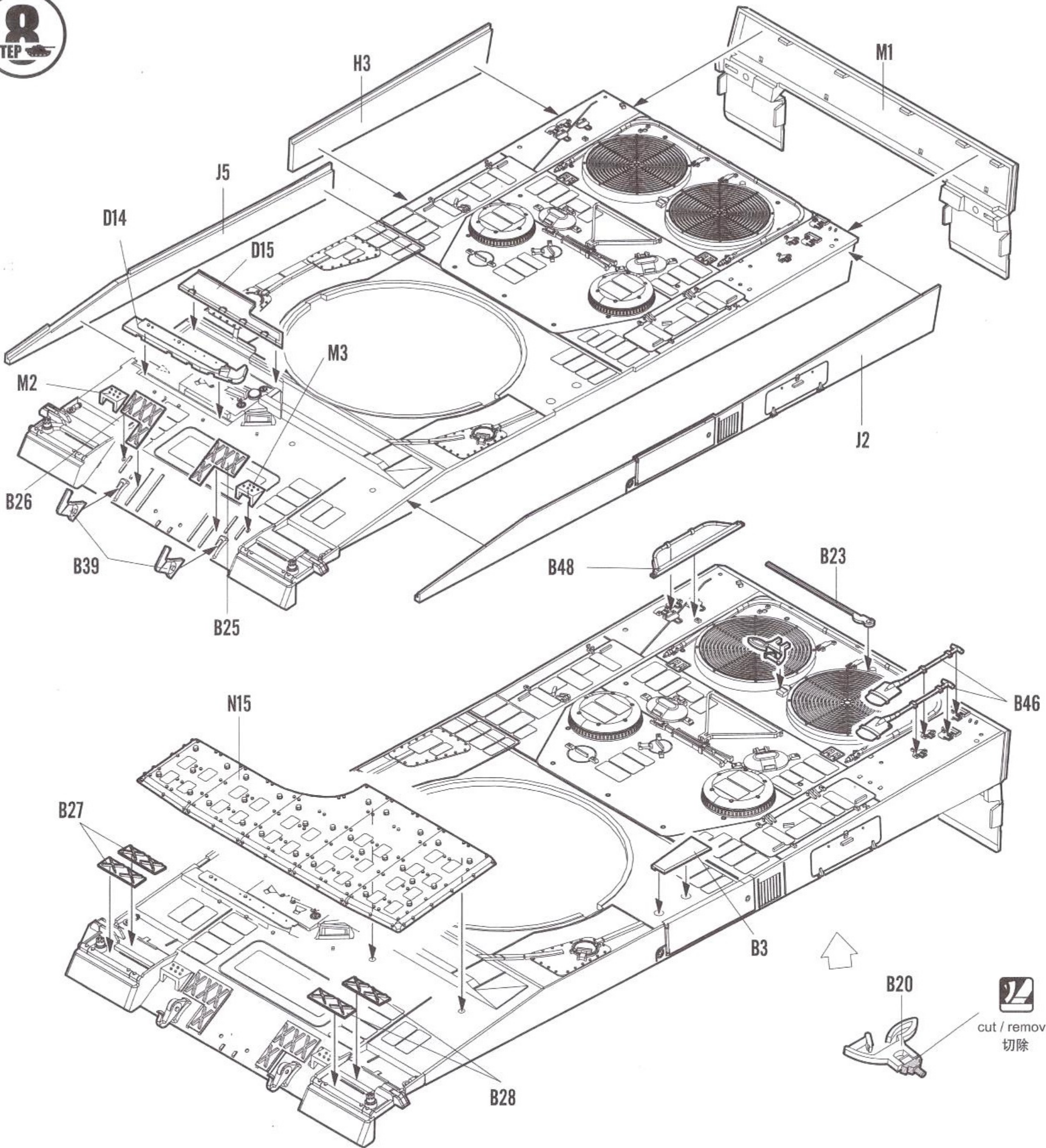
车面
Upper hull

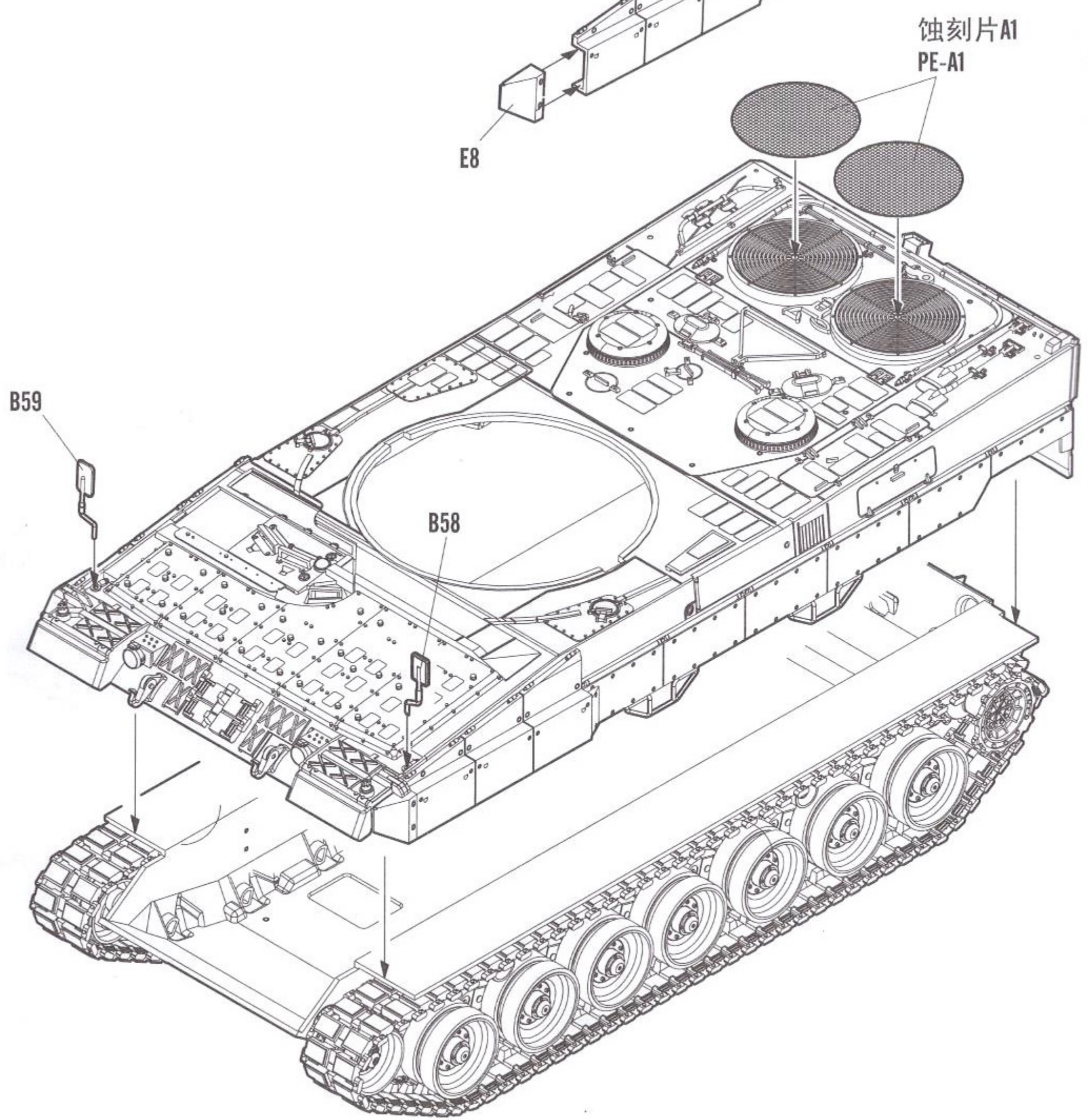
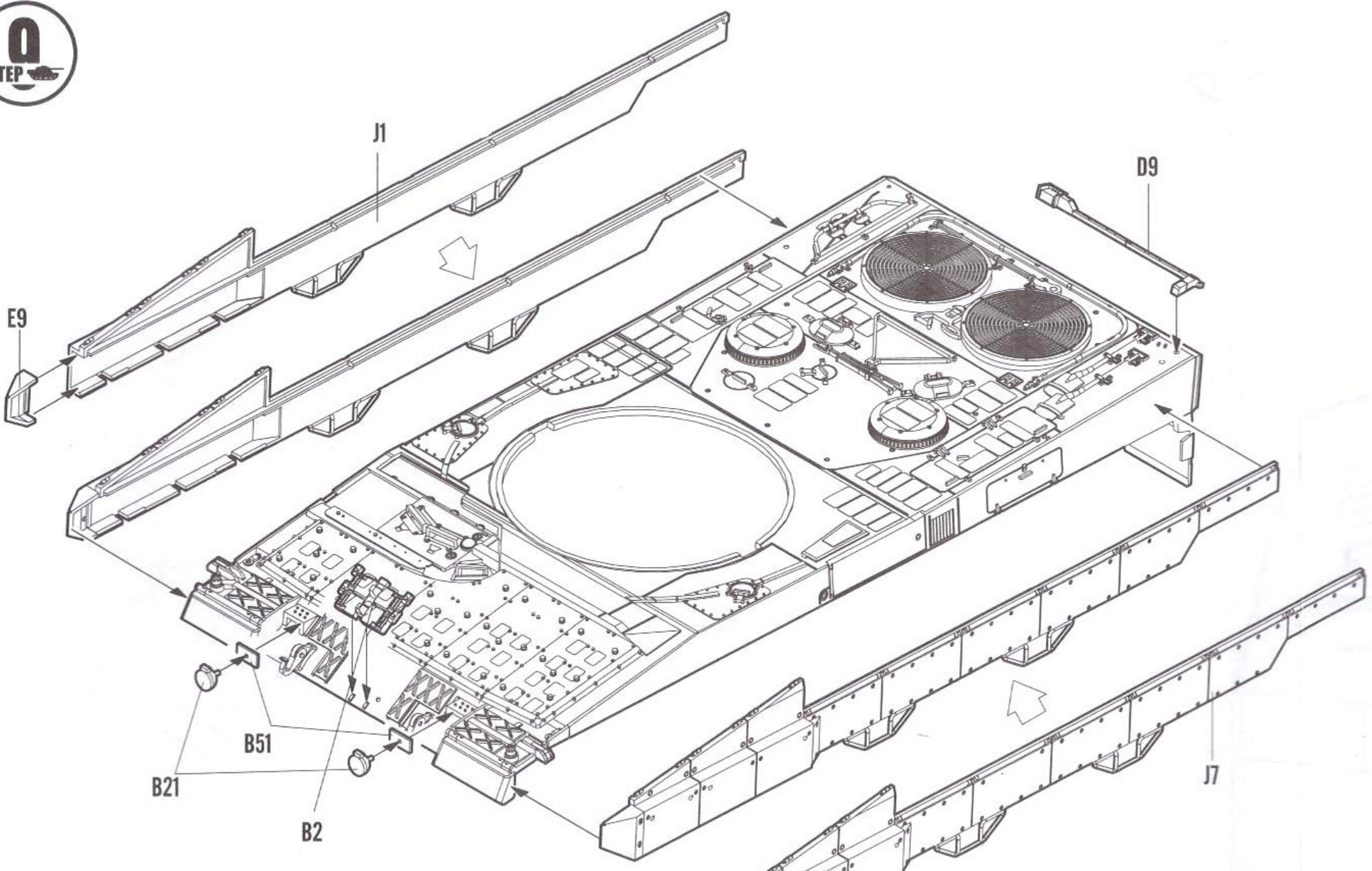


 make hole
钻孔

7
STEP







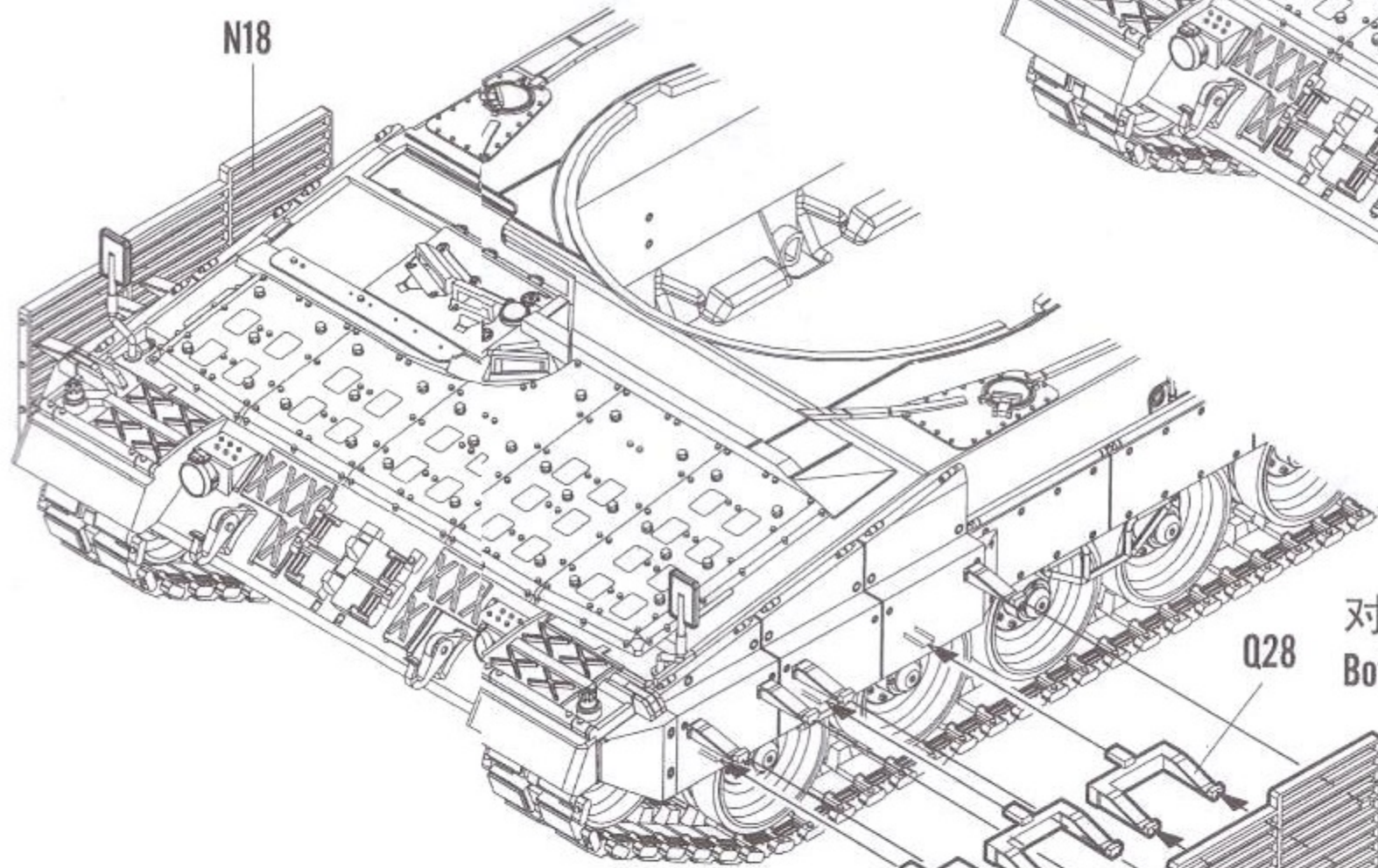
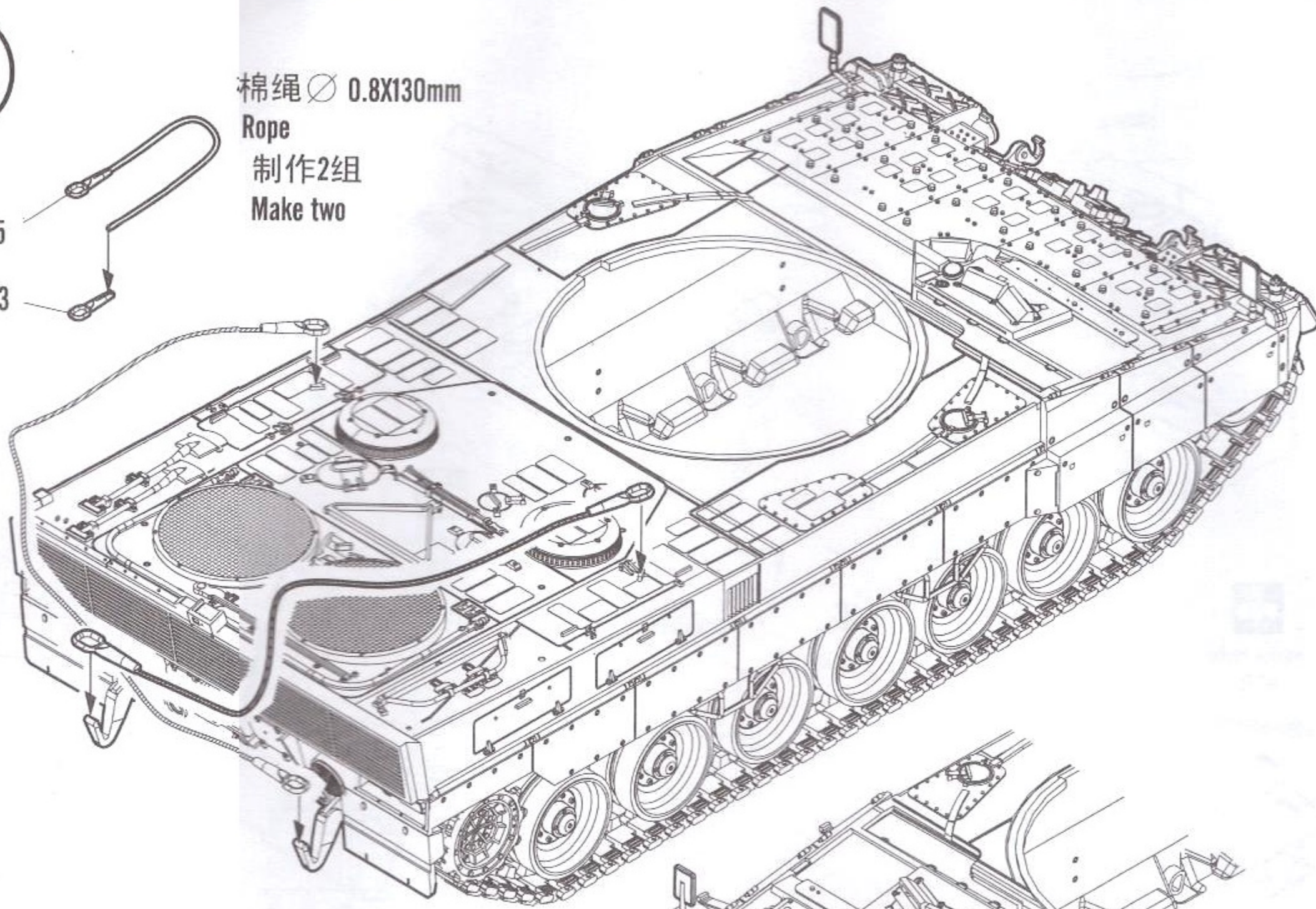
10
STEP

棉绳 \varnothing 0.8X130mm

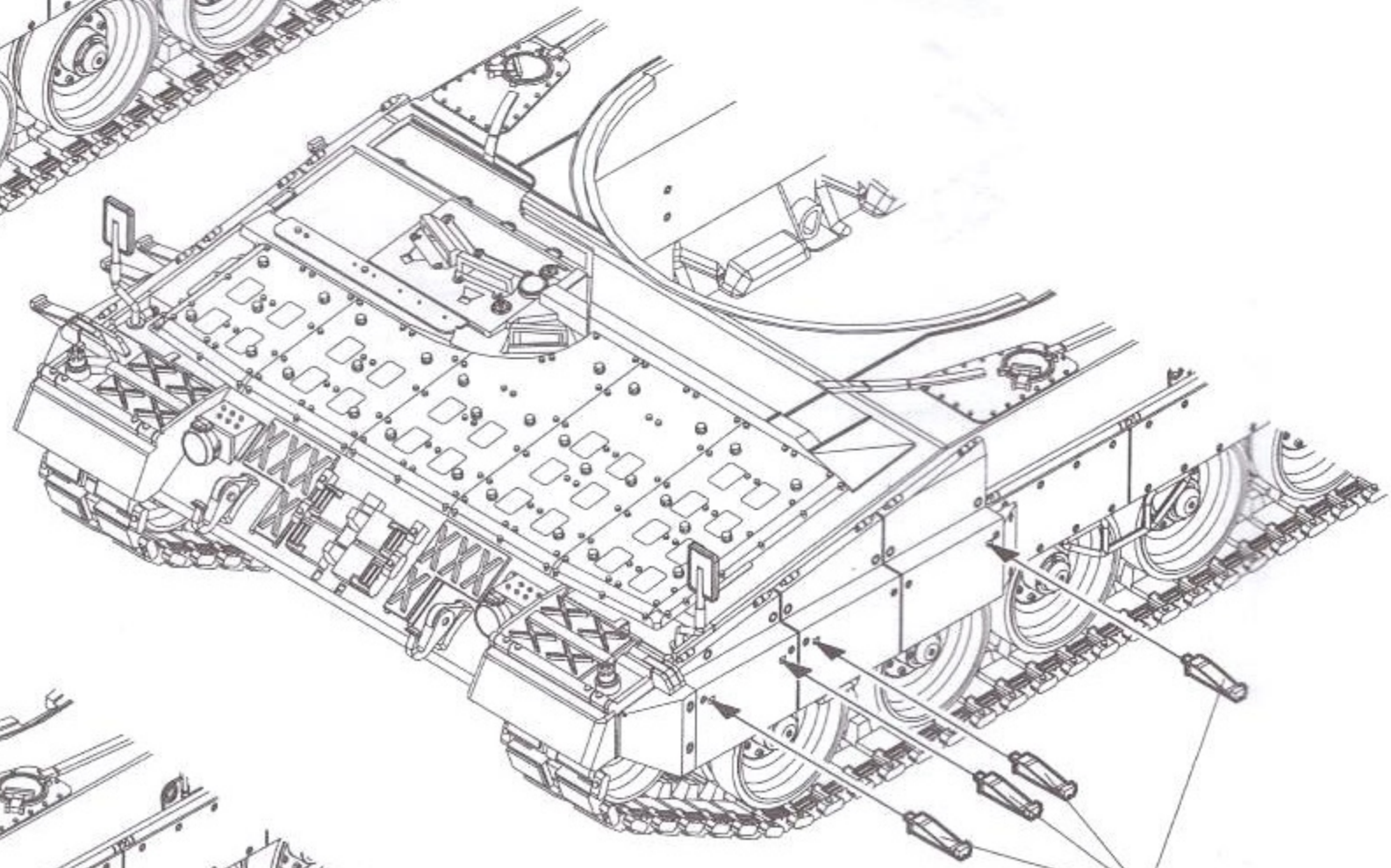
Rope
制作2组
Make two

B45

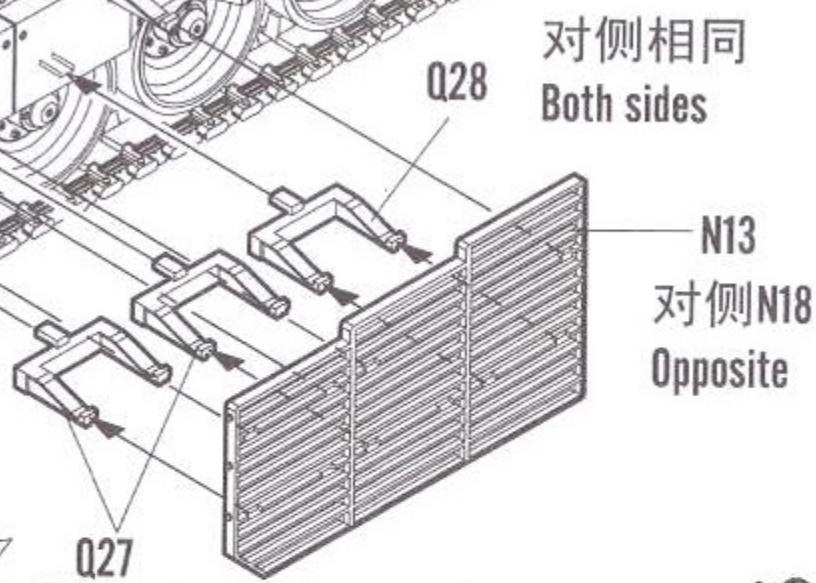
B53



N18

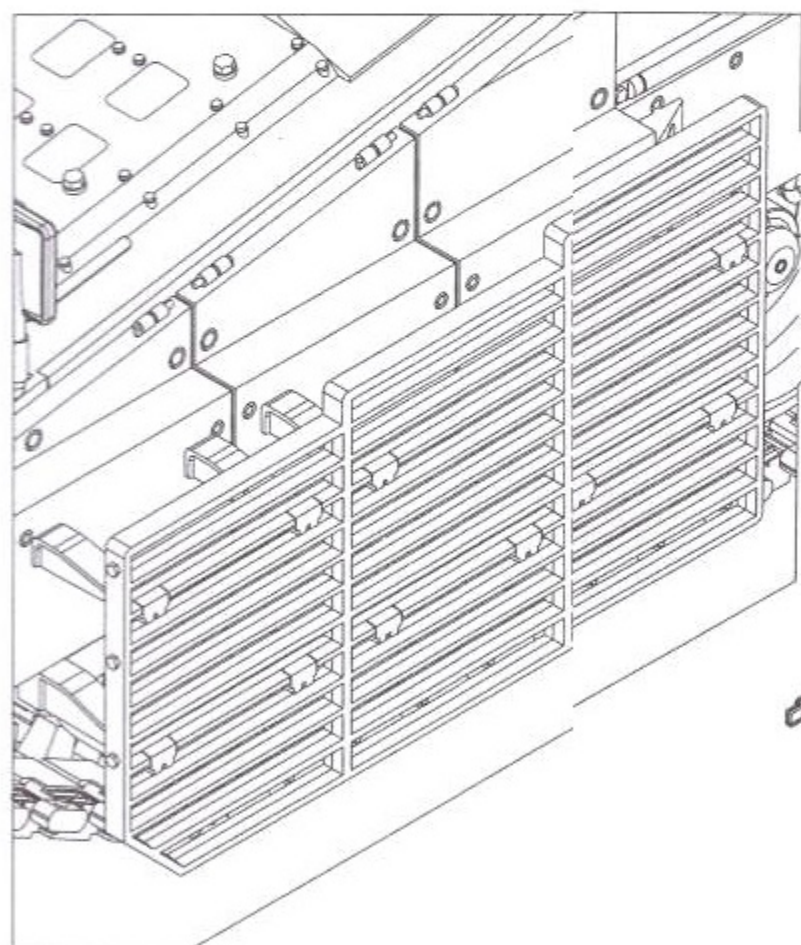


Q25 对侧相同
Both sides



Q28 对侧相同
Both sides

N13 对侧N18
Opposite



Q27 对侧相同
Both sides

P10

N4

Q7

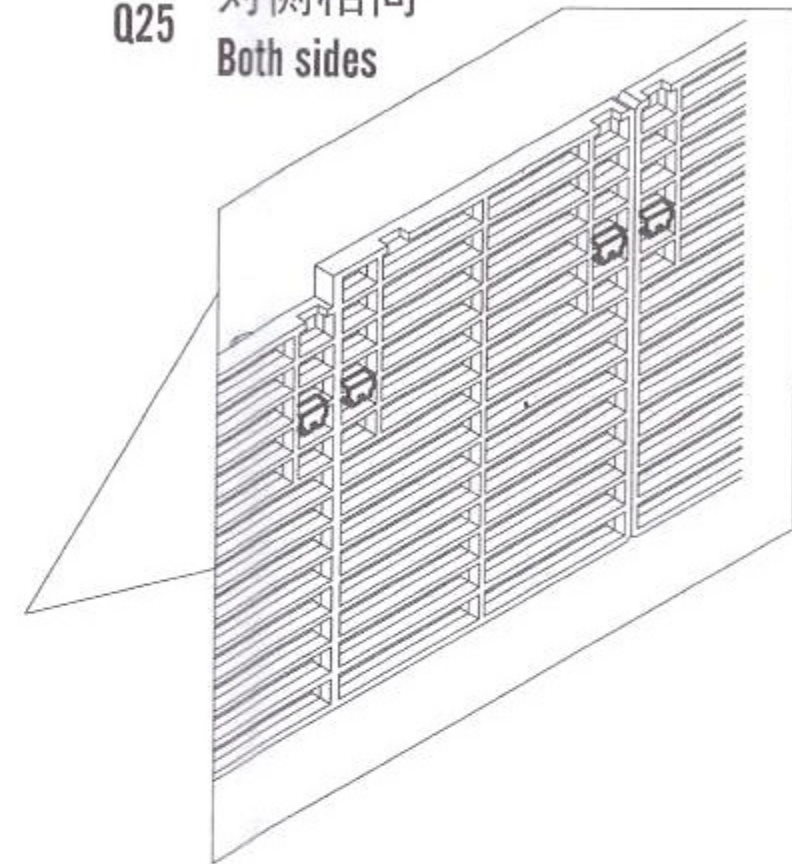
Q8

N2

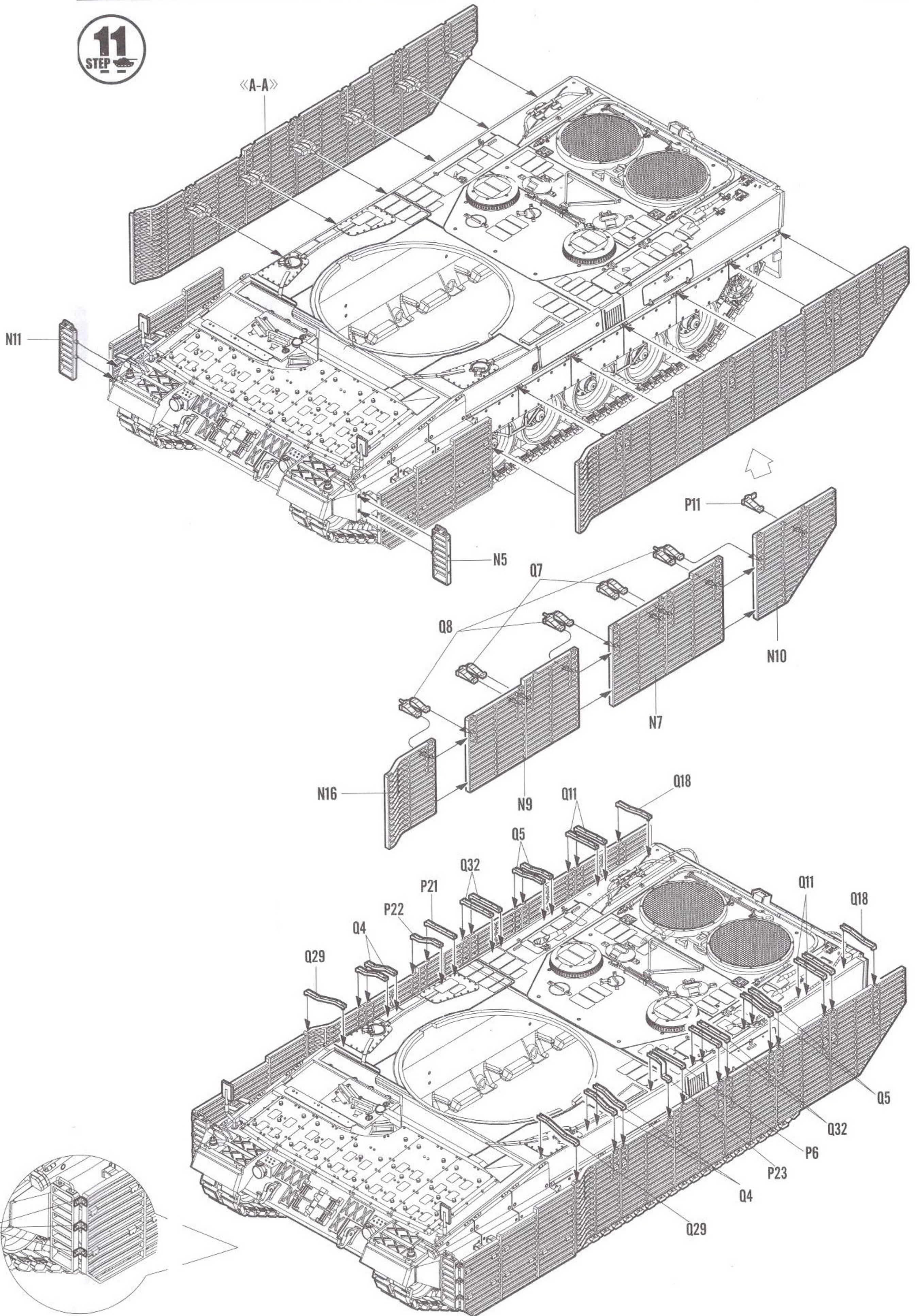
N3

N14

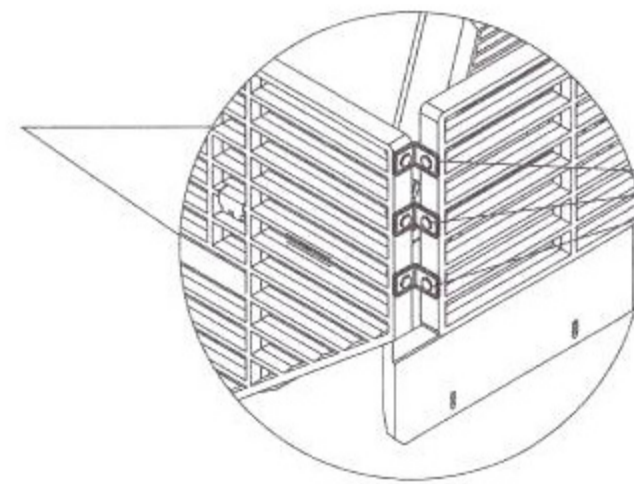
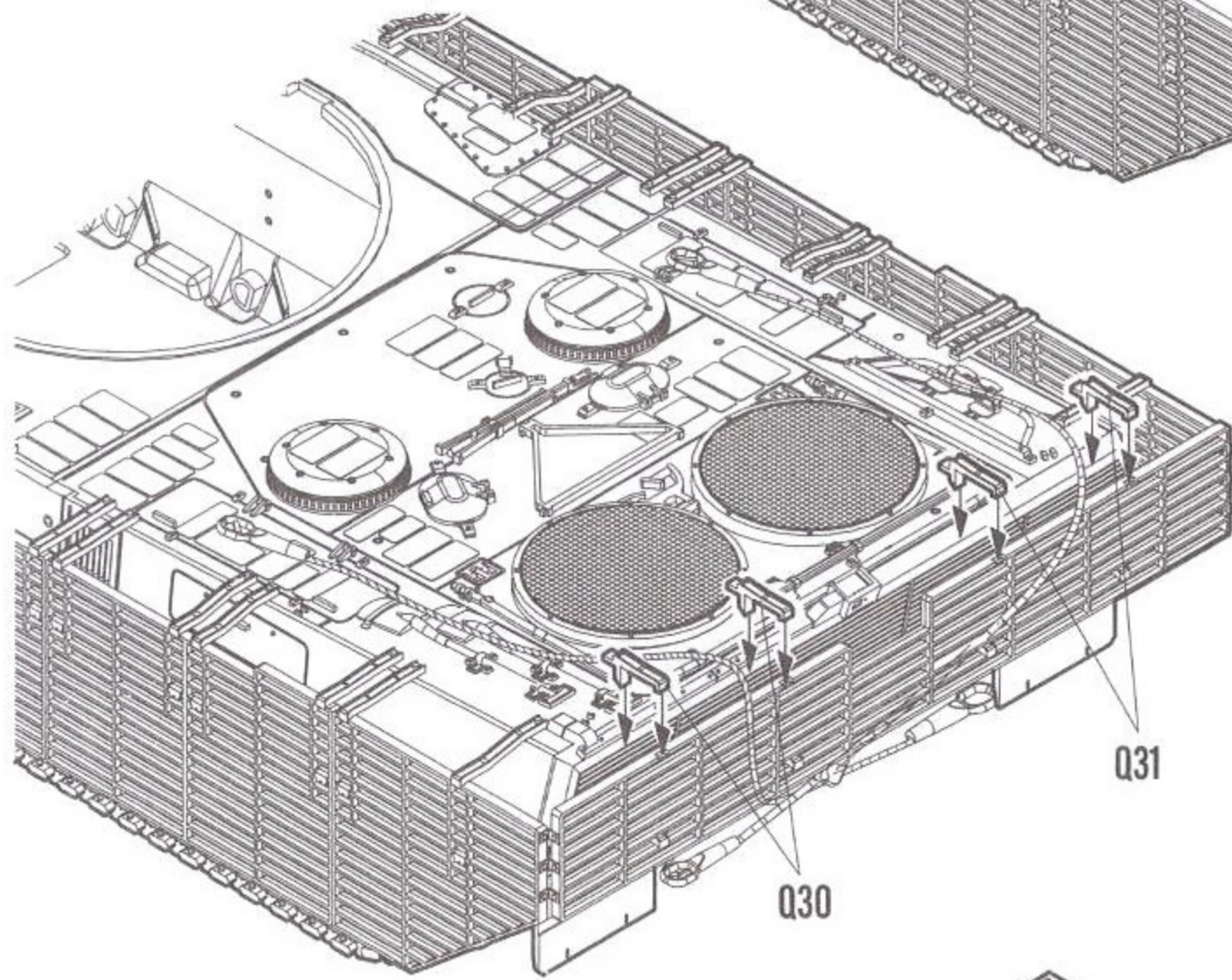
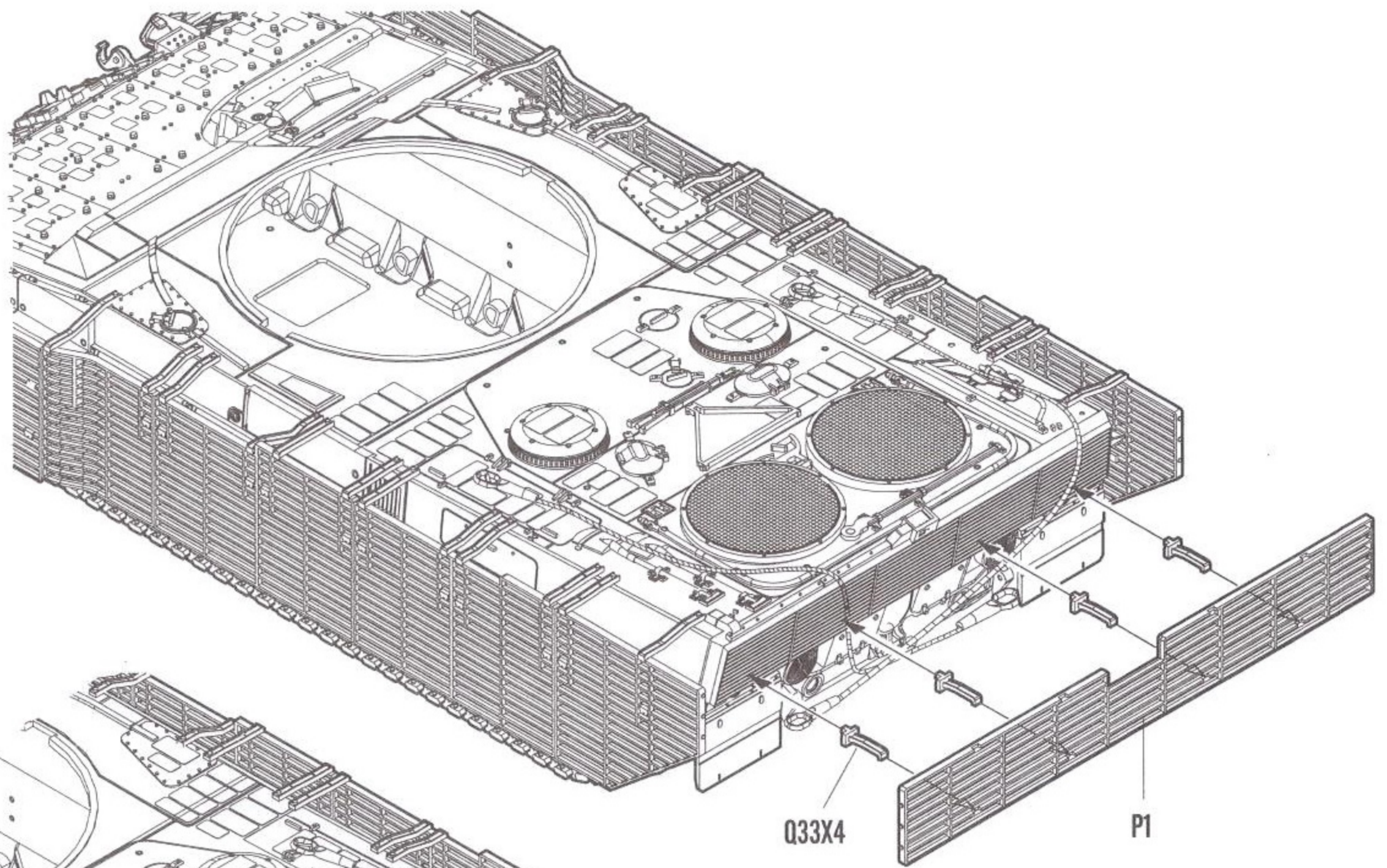
《A-A》



11
STEP

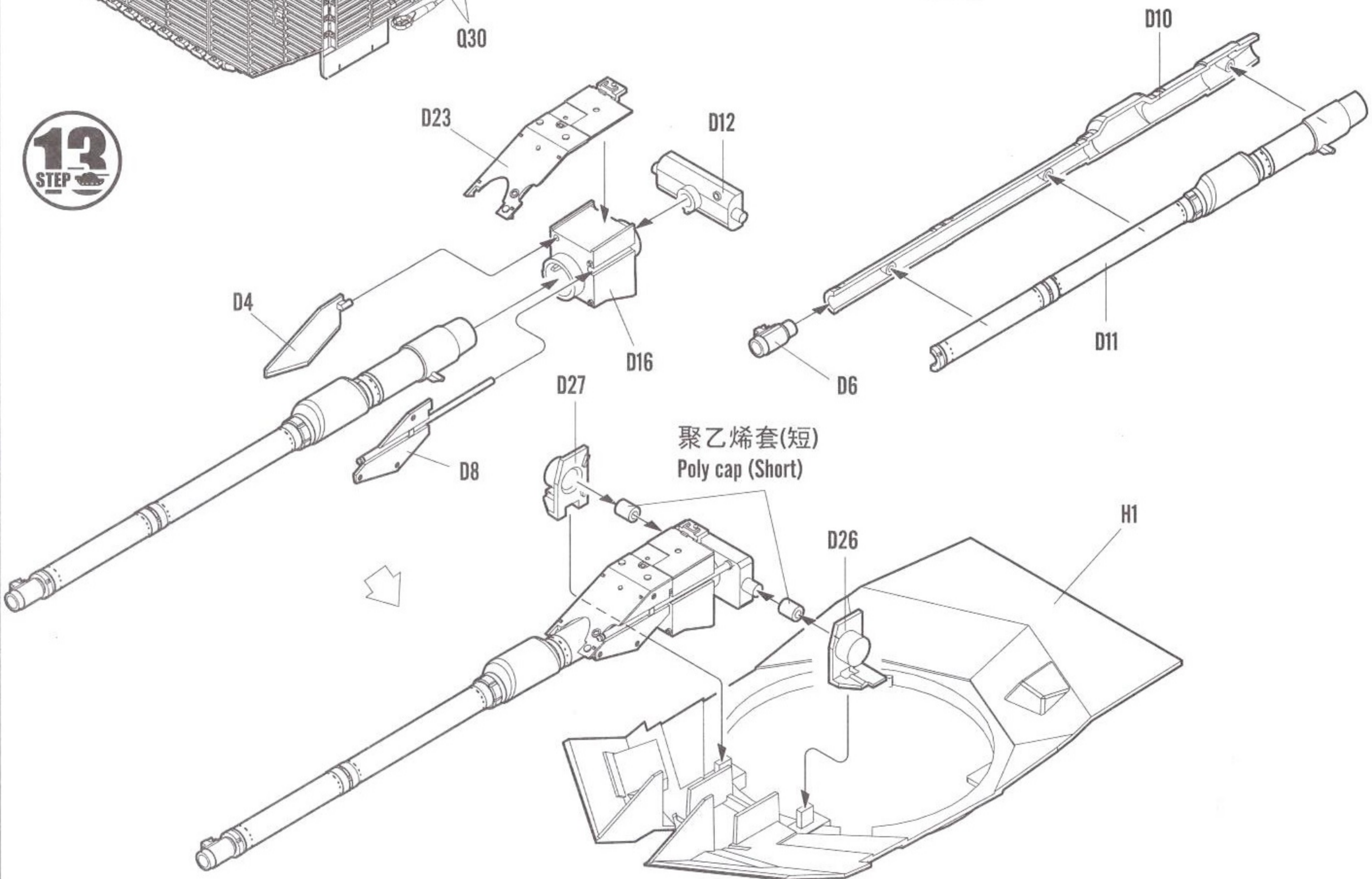


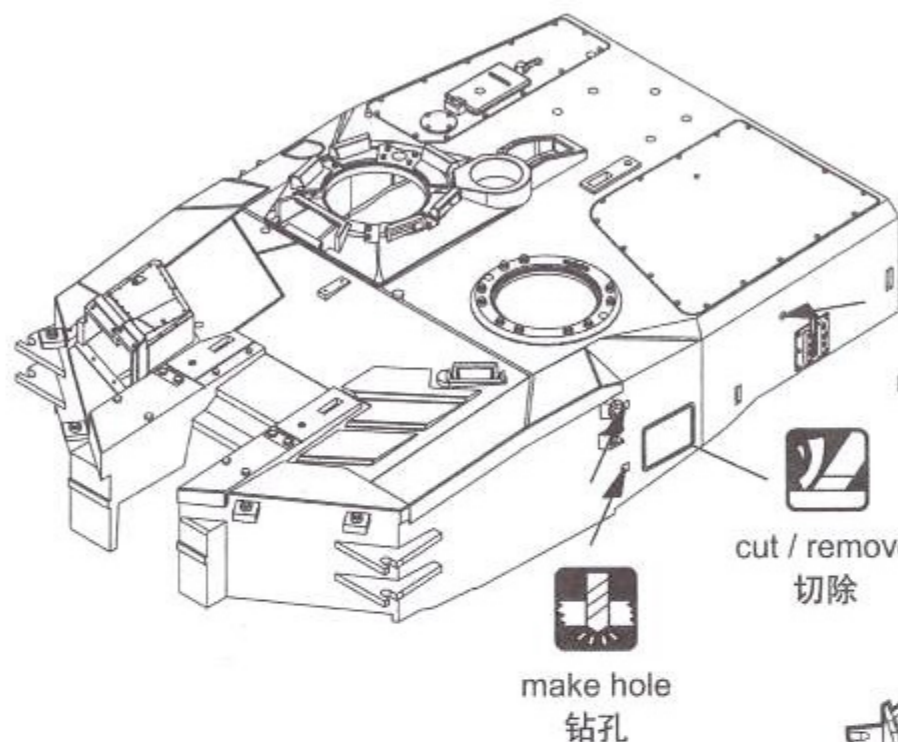
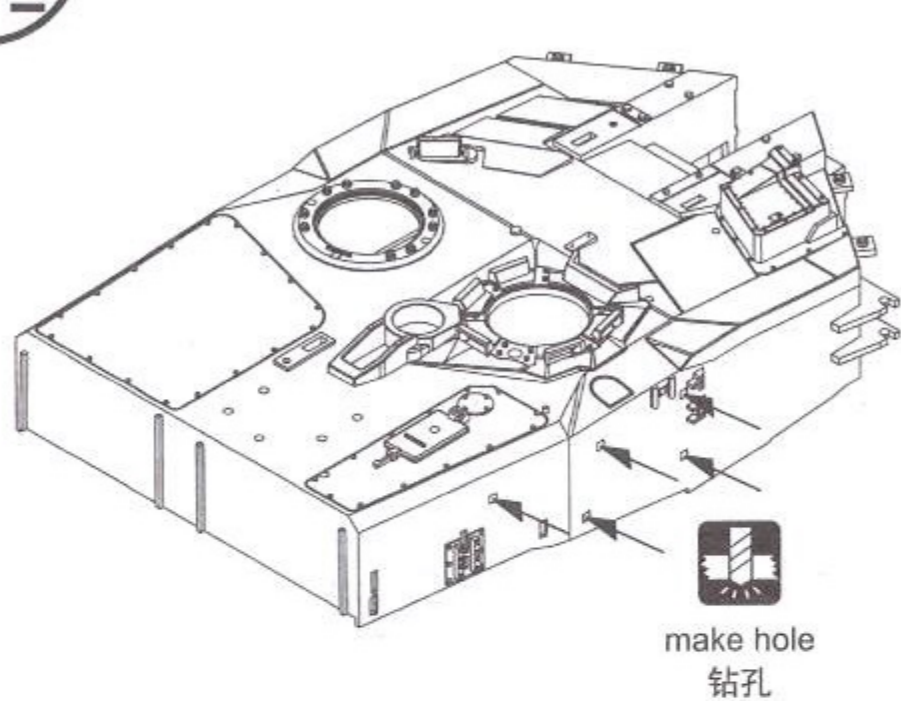
12
STEP



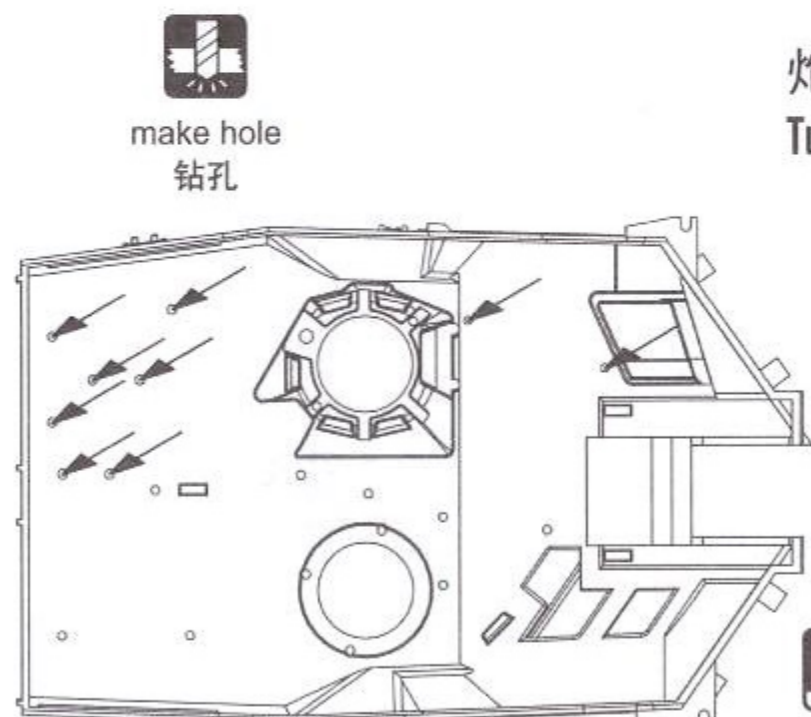
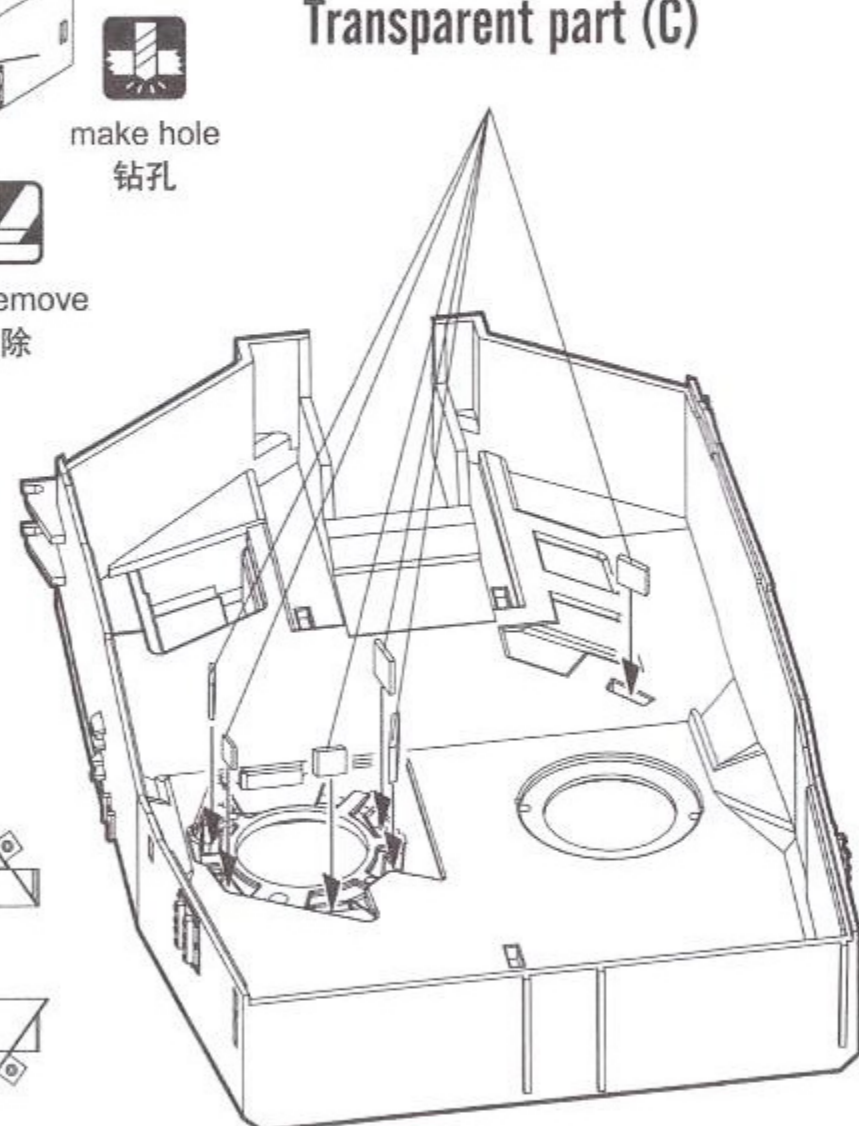
PE-C3
对侧相同
Both sides

13
STEP

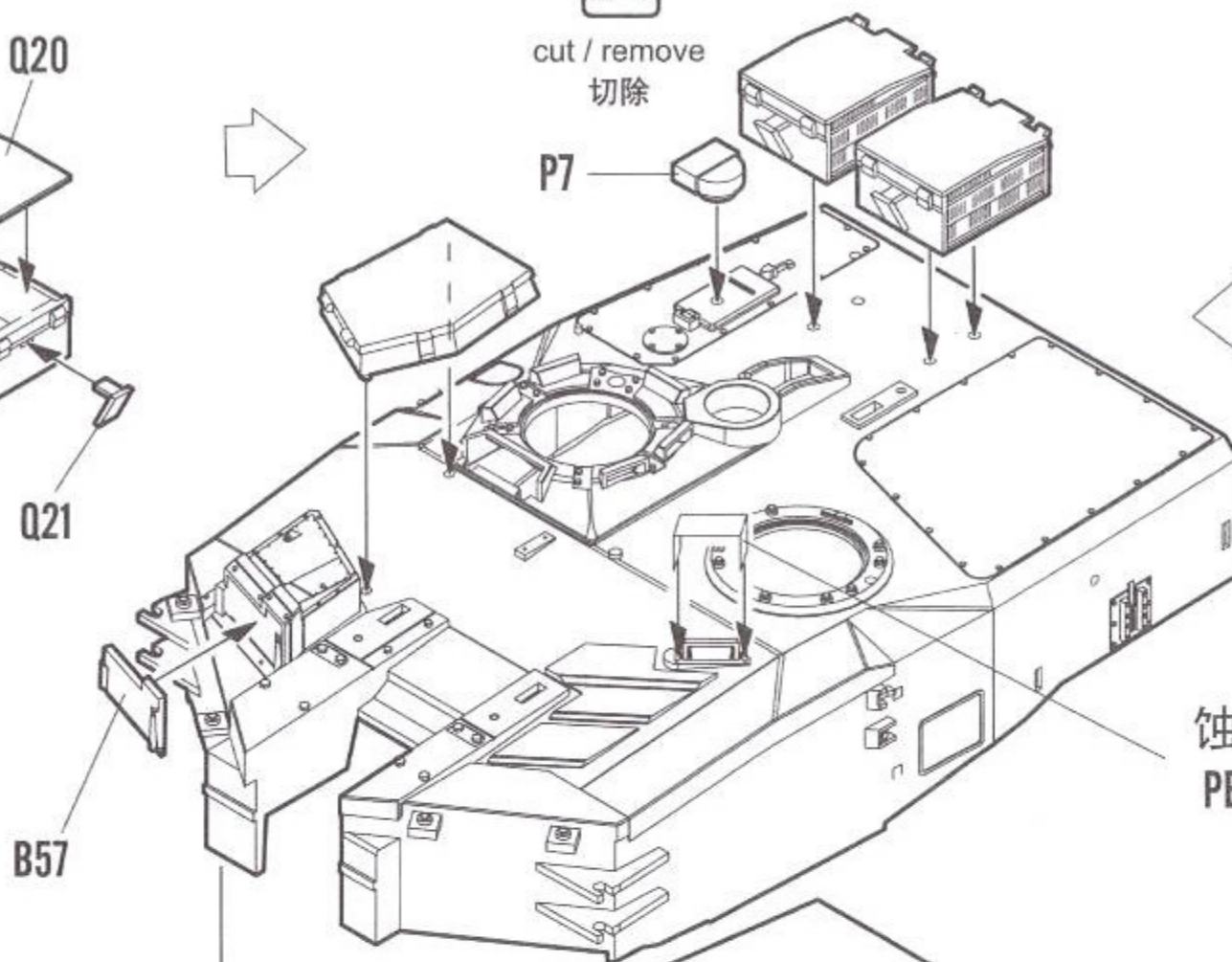
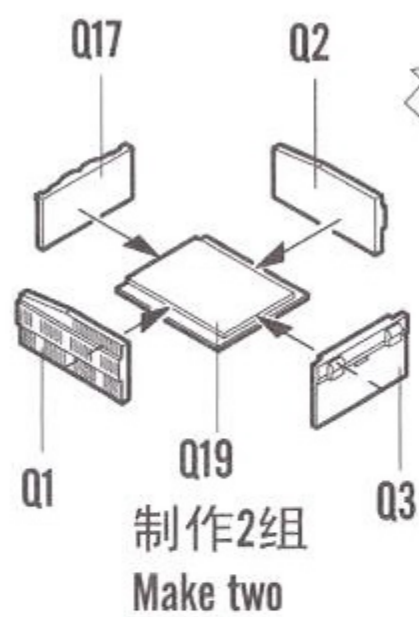
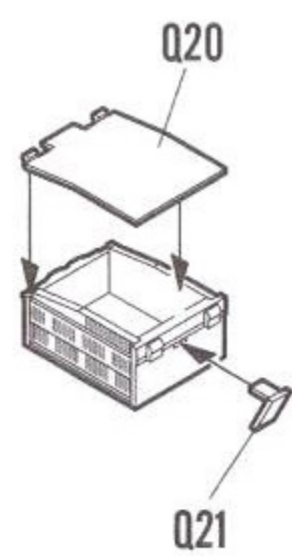




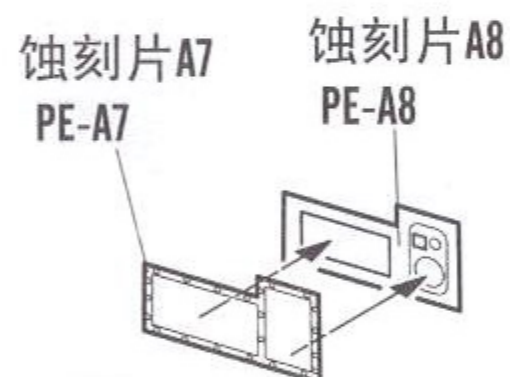
透明片(C)
Transparent part (C)



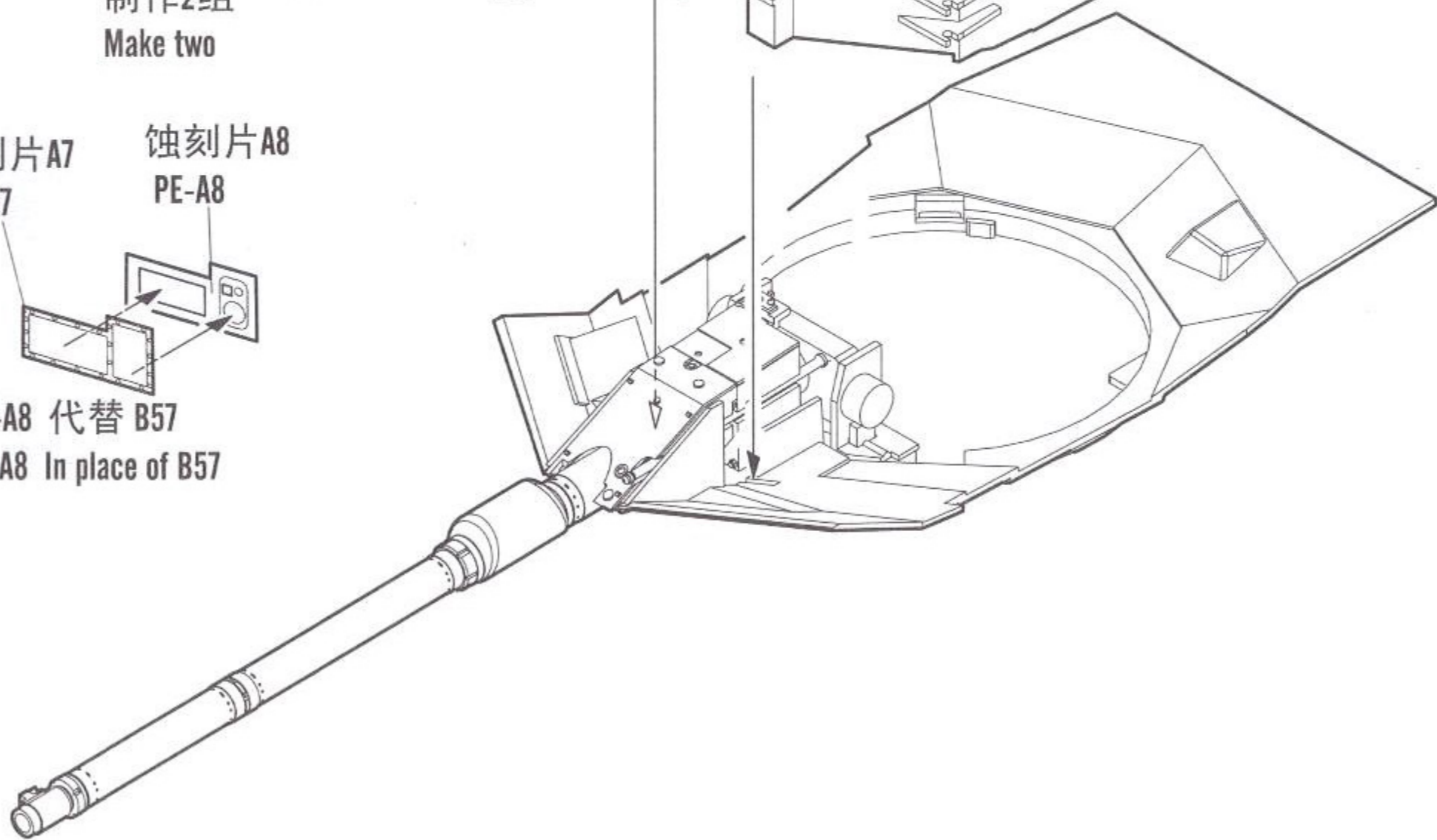
炮塔
Turret



蚀刻片A6
PE-A6

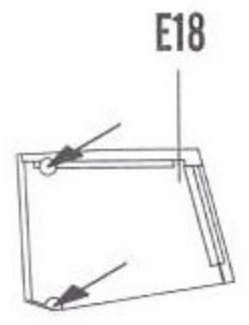


PE-A7.PE-A8 代替 B57
PE-A7.PE-A8 In place of B57

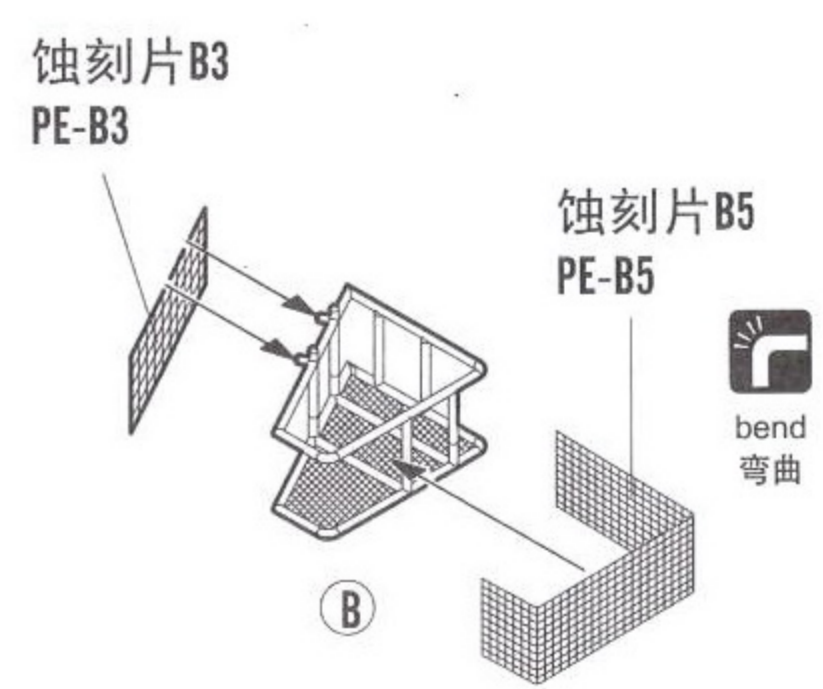
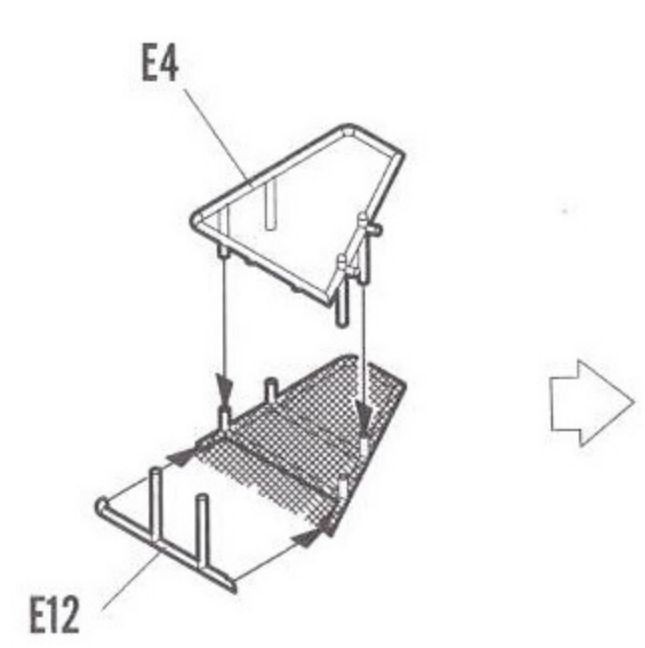
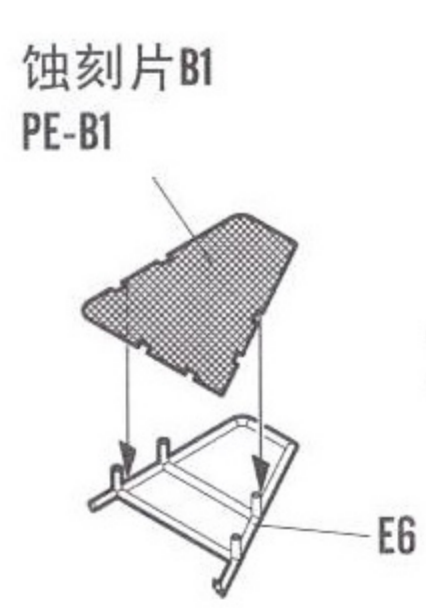
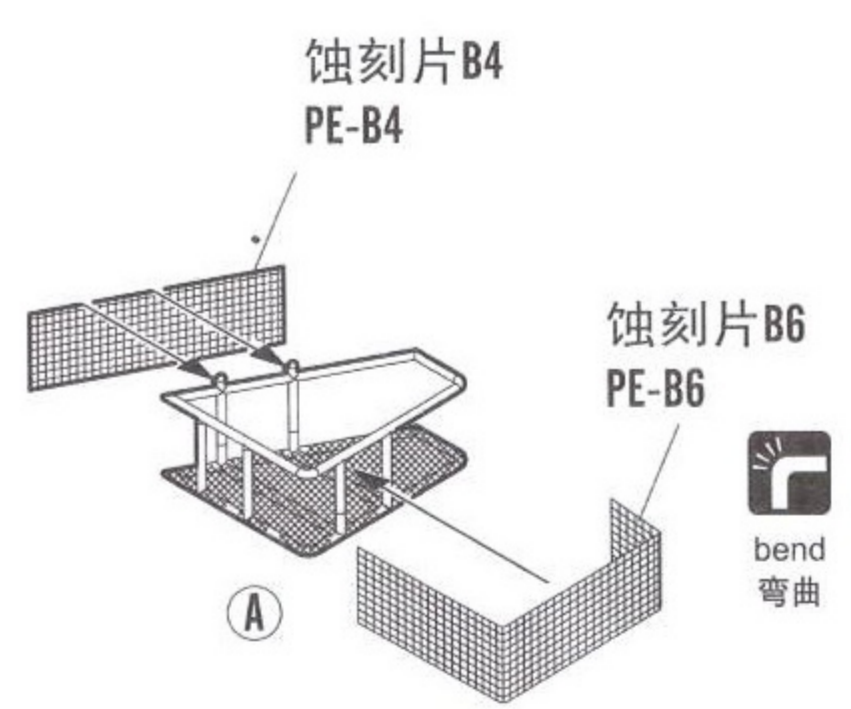
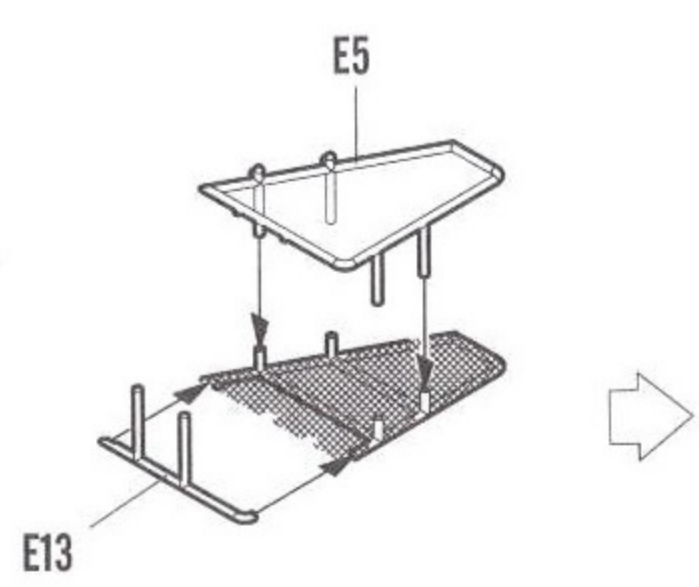
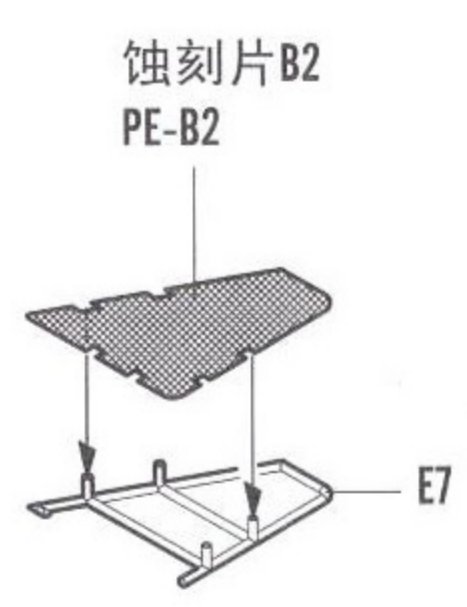
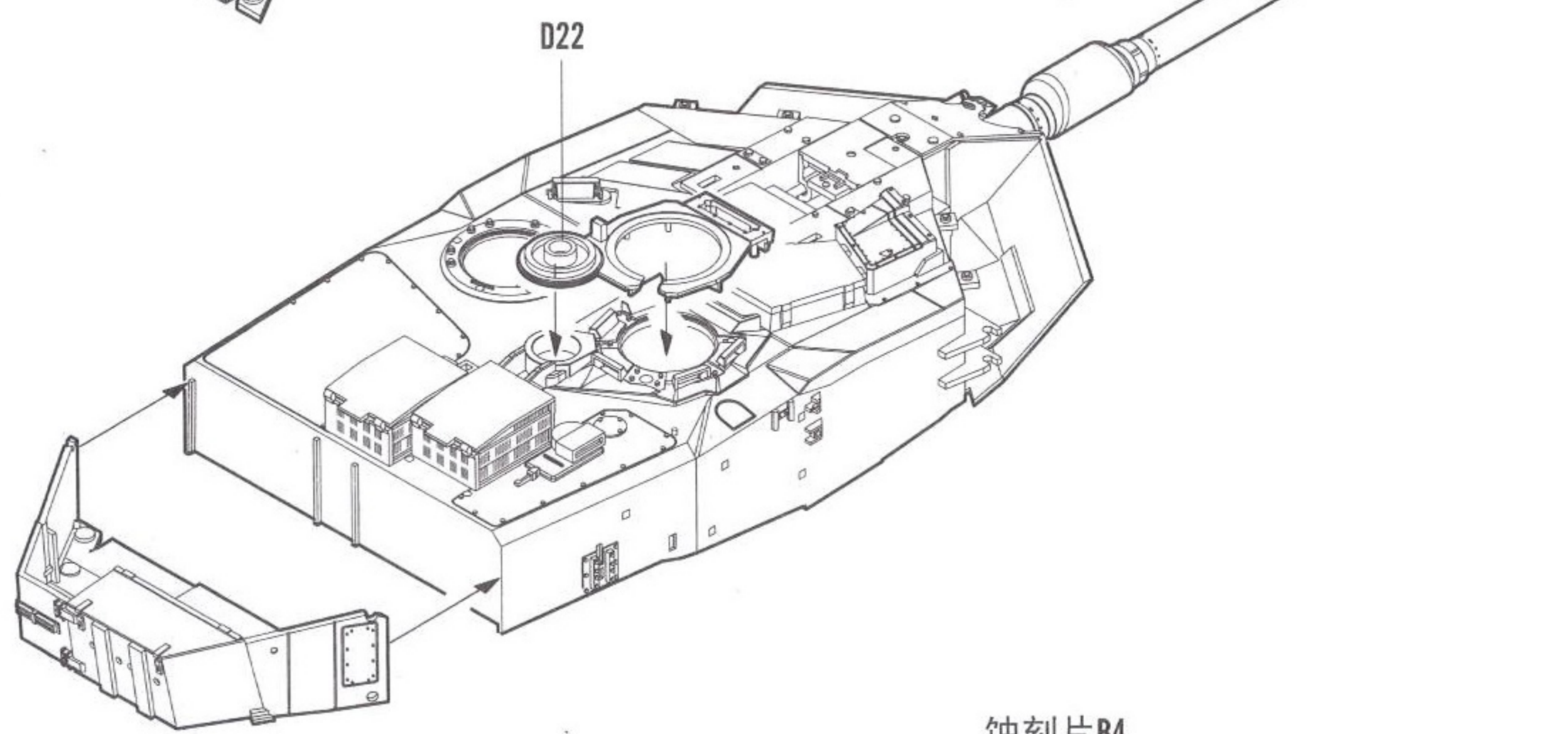
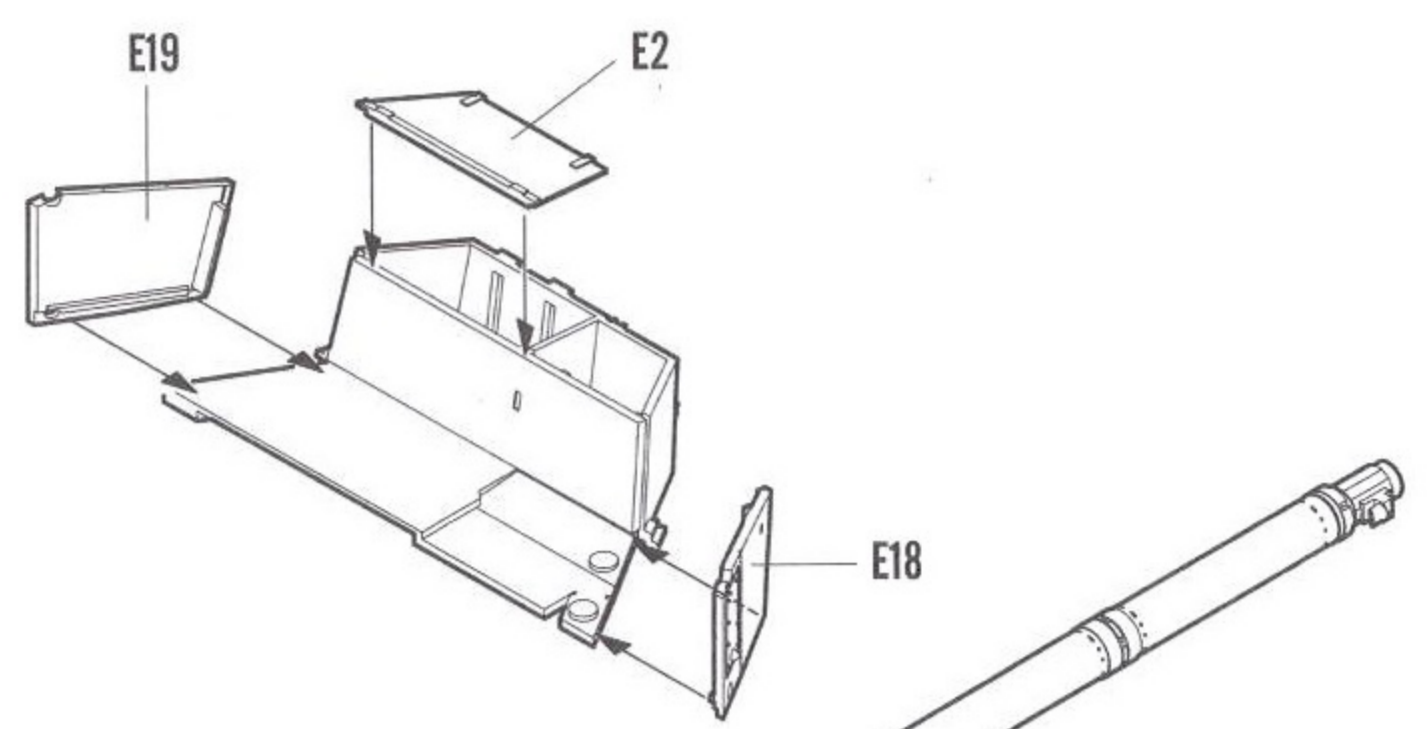
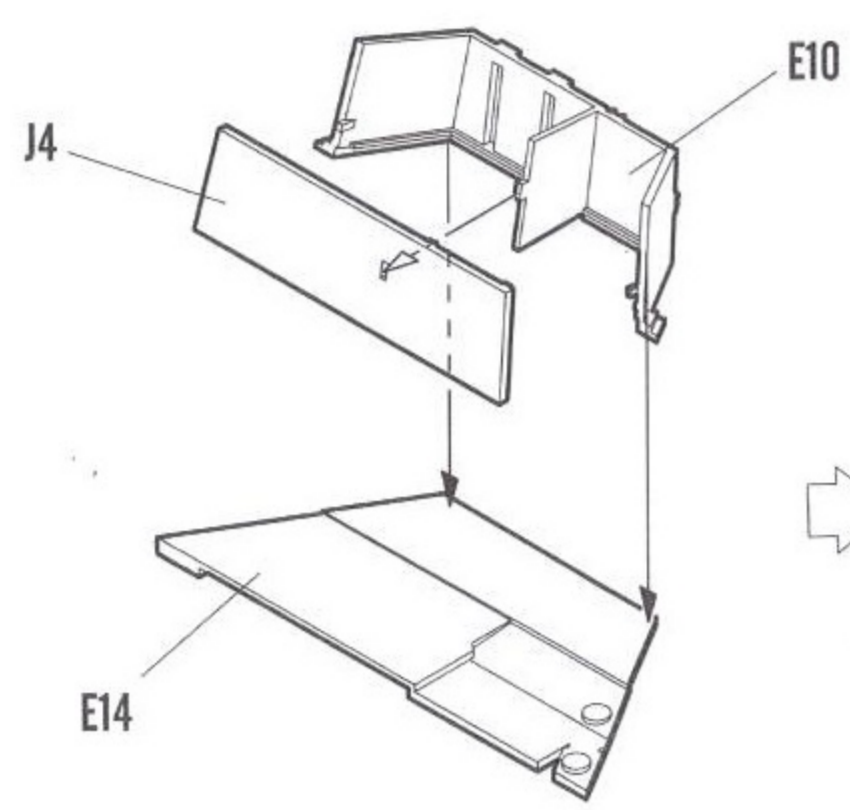
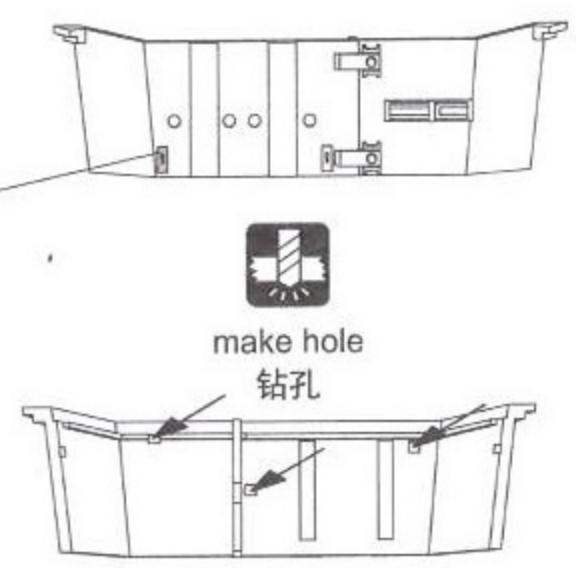




make hole
钻孔



cut / remove
切除



16
STEP

B10

B11

B8

D7

D24

D19

B60

D2

B24

D21

B61

E15

cut / remove
切除

A

Q15

Q13

B9

B13

B12

Q15

Q26

D20

cut / remove
切除

Q13

P25

Q13

P24

Q15

Q26

蚀刻片A5
PE-A5

D18

P8

B49

P9

B36

H4

B52

B

B56

蚀刻片A11
PE-A11



bend
弯曲

PE-A11 代替 B36
PE-A11 Inplace of B36

B55

B43

B47

B37

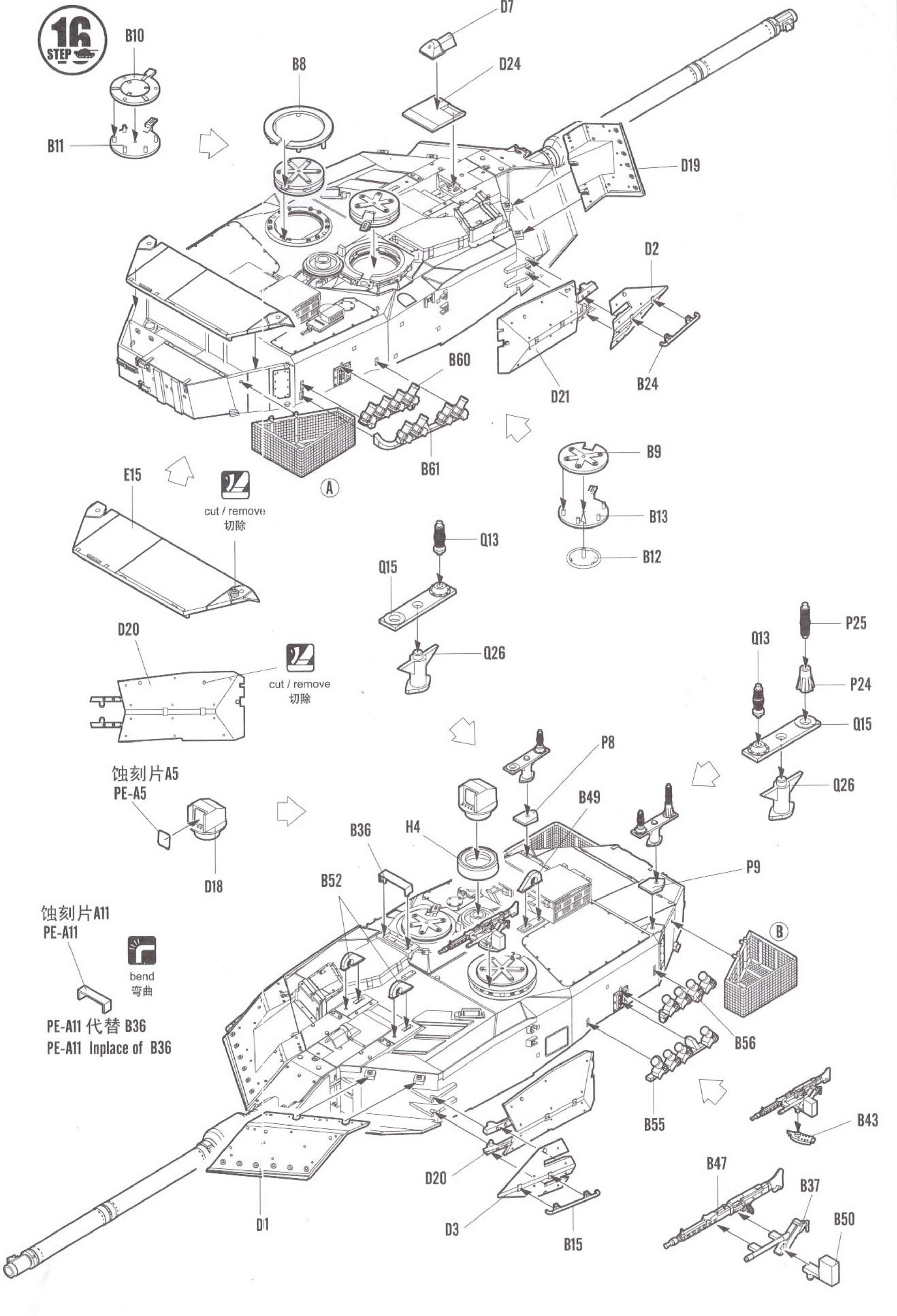
B50

D20

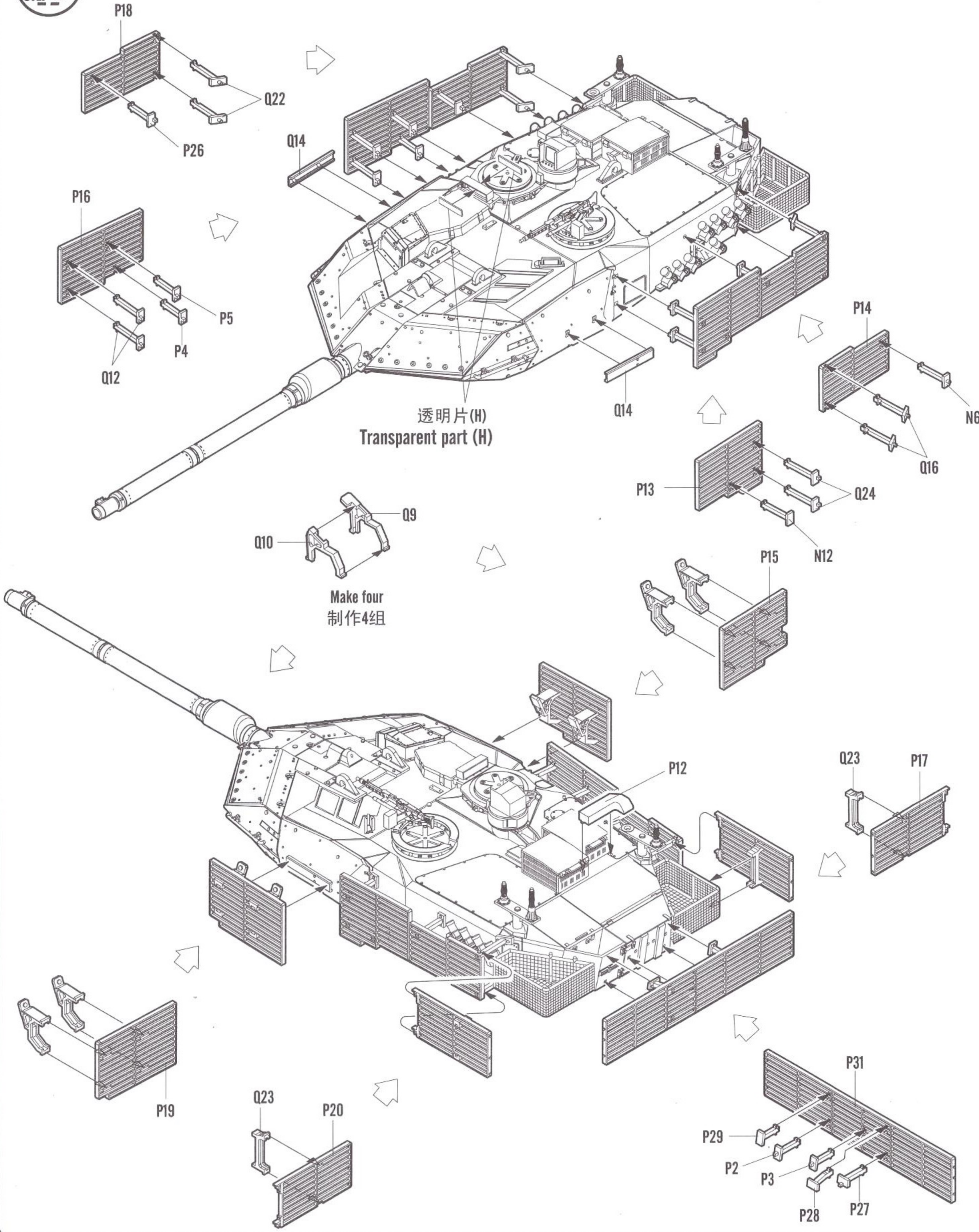
D3

B15

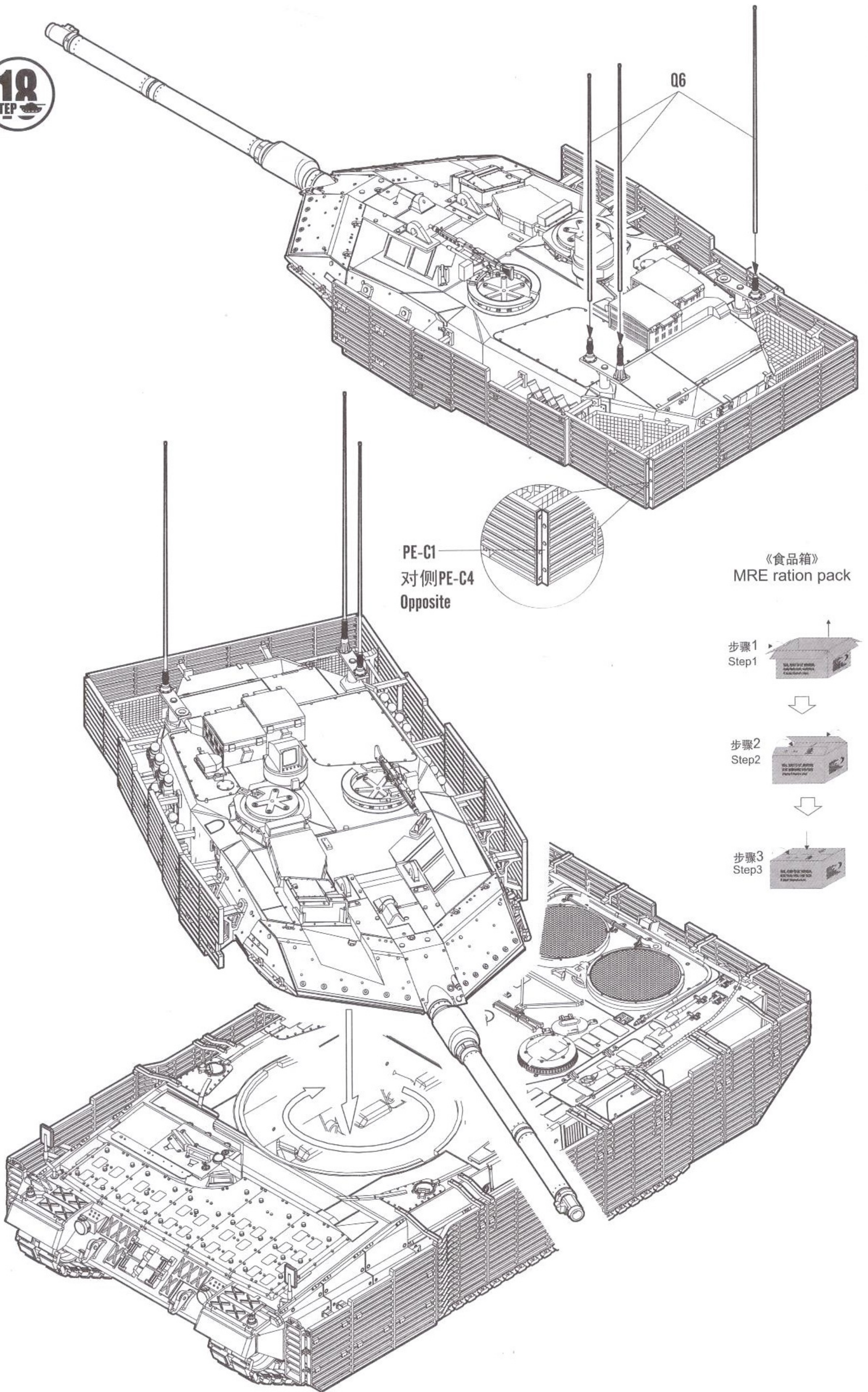
D1



17
STEP



18
STEP



PE-C1
对侧PE-C4
Opposite

《食品箱》
MRE ration pack

步骤1
Step1



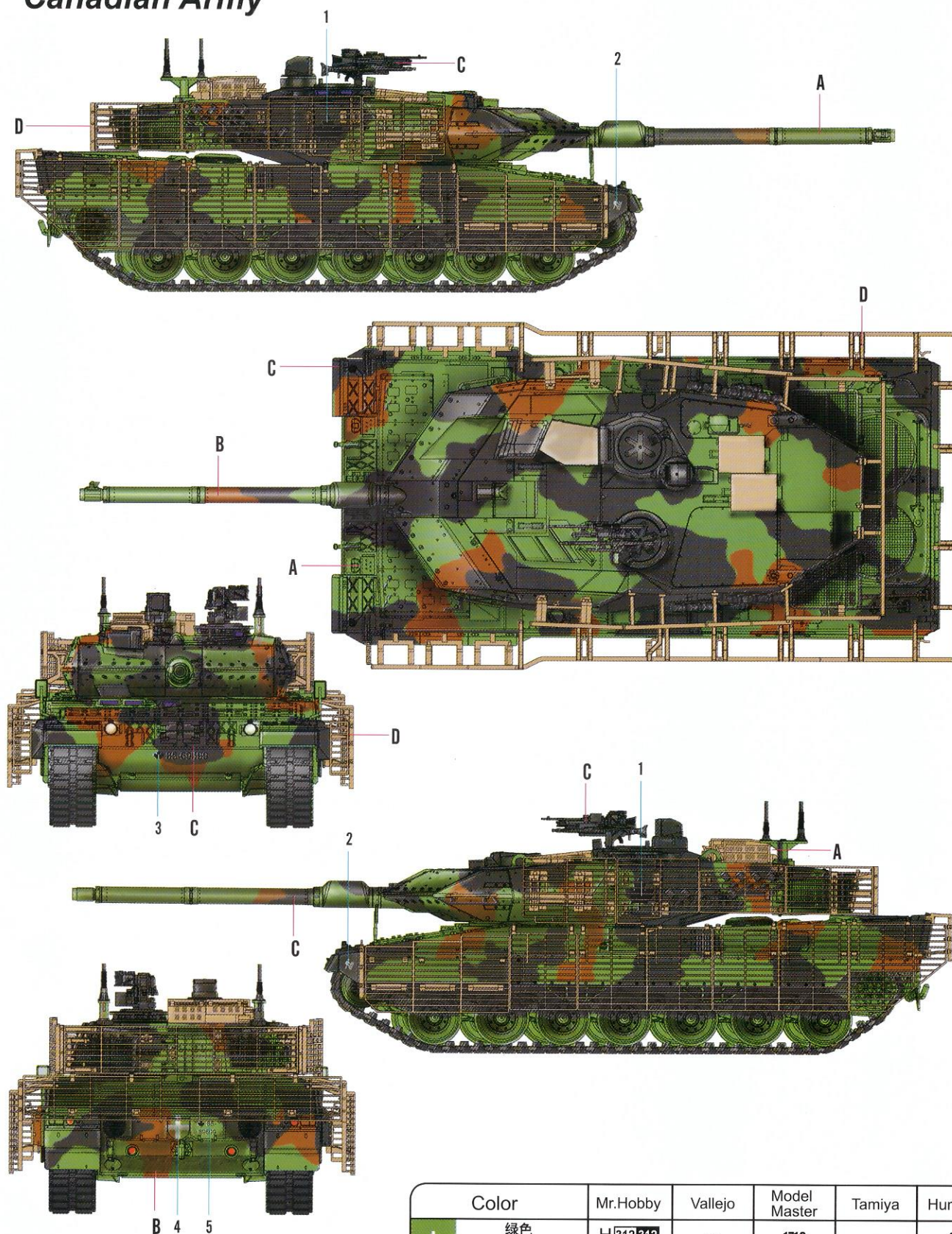
步骤2
Step2



步骤3
Step3



Canadian Army



Color	Mr.Hobby	Vallejo	Model Master	Tamiya	Humbrol
A 绿色 Dark Compass Ghost Grey	H 312 312	--	1716	--	120
B 木棕色 Wood Brown	H 37 43	983	1701	--	186
C 消光色 Flat Black	H 12 33	887	1711	XF62	155
D 沙褐 Sandy Brown	H 19	--	--	--	--