

F/A-18C



F/A-18C US Navy, Swiss AirForce, Finnish AirForce & Topgun

F/A-18 is a twin-engine supersonic, all-weather carrier-capable multirole fighter jet, designed to dogfight and attack ground targets.

The F/A-18 has a top speed of Mach 1.8. It can carry a wide variety of bombs and missiles, including air-to-air and air-to-ground, supplemented by the 20 mm M61 Vulcan cannon. It is powered by two General Electric F404 turbofan engines, which give the aircraft a high thrust-to-weight ratio. The F/A-18 has excellent aerodynamic characteristics, primarily attributed to its leading edge extensions (LEX). The fighter's primary missions are fighter escort, fleet air defense, Suppression of Enemy Air Defenses (SEAD), air interdiction, close air support and aerial reconnaissance. Its versatility and reliability have proven it to be a valuable carrier asset.

双発エンジンで超音速.全天候型のF/A-18は、空中戦と対地上攻撃に長けたマルチロール艦上戦闘機です。

最高速マッハ1.8で飛行可能な機体には、固定火器としてM61 20mm バルカン砲が装備されているほか、空対空ミサイルや空対地ミサイル/爆弾など、作戦目標に合わせた様々な兵器の搭載も可能で、搭載エンジンには高い推進力を発揮するジェネラルエレクトリック F404 ダーボファンエンジンが装備されており、特にコクピット側面から主翼に繋がるLEX<Leading Edge Extensions>フェンスは、当機が優れた空力特性を持つ戦闘機であることを示しています。また、空中護衛.艦隊防空.敵防空網制圧<SEAD>.航空阻止.地上航空支援と航空偵察を主任務とするF/A-18は、その多目的性と信頼性により高性能の艦上機であることが立証されています。

CAUTION

- *Read carefully and fully understand the instructions before commencing assembly.
- *Keep out of reach of children. Children must not be allowed to put any parts in their mouths, or pull plastic bag over their heads.
- *When using adhesives and paints, please make sure not to use them in closed room or near the fire.
- *When assembling this kit, tools including knives are used. Extra care should be taken to avoid injury.

WARNING: CONTAIN SMALL PARTS NOT FOR CHILDREN UNDER 14 YEARS OF AGE.



Drill



Remove



2 Set



Bend



Optional



Decal



Super Glue



Fill Hole



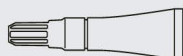
No Cement



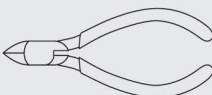
Be Careful

TOOLS RECOMMENDED

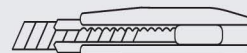
Cement



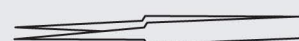
Side Cutter

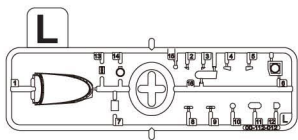
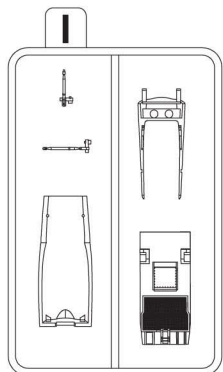
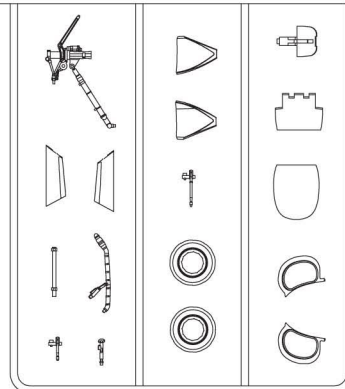
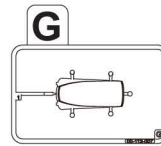
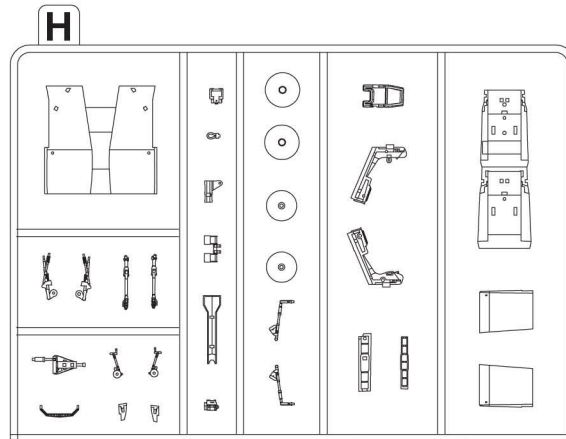
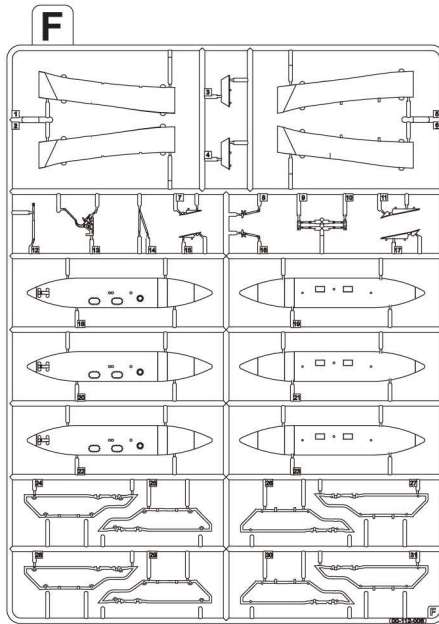
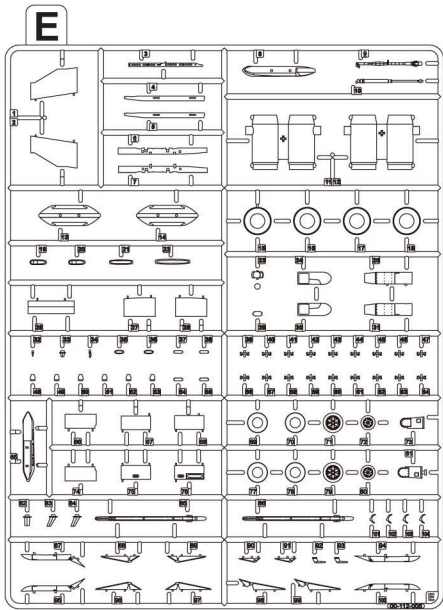
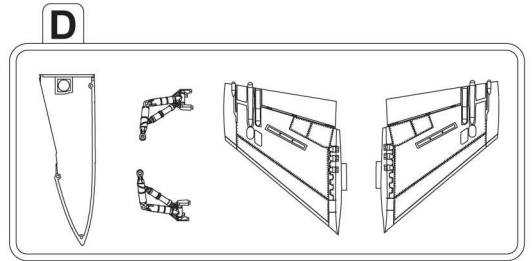
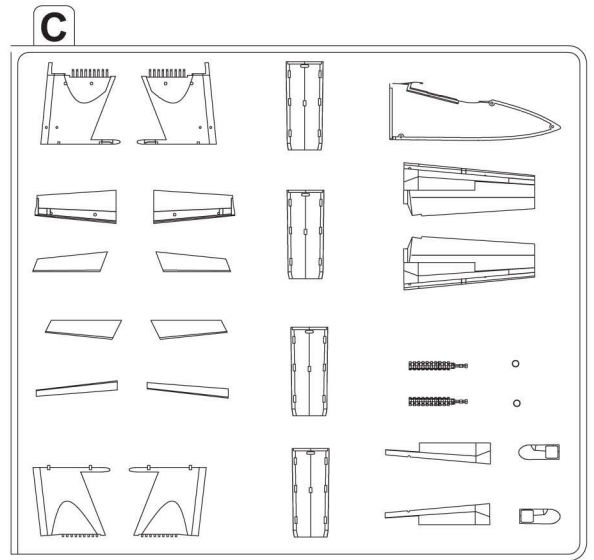
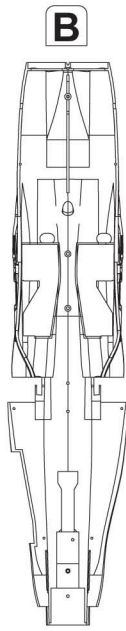
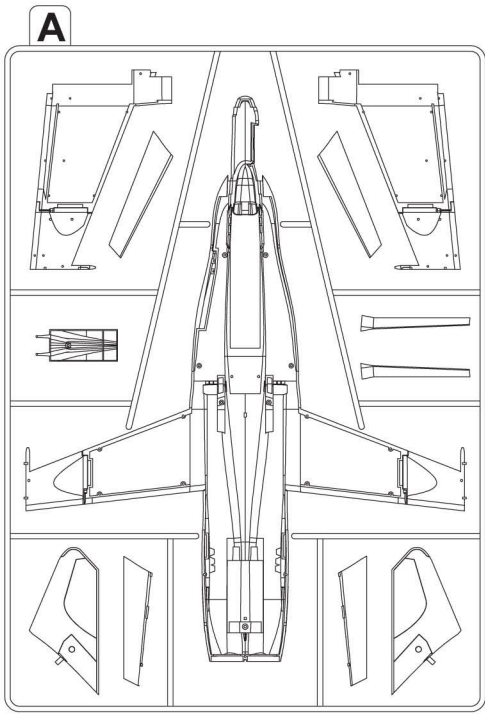


Modeling Knife

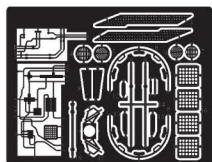


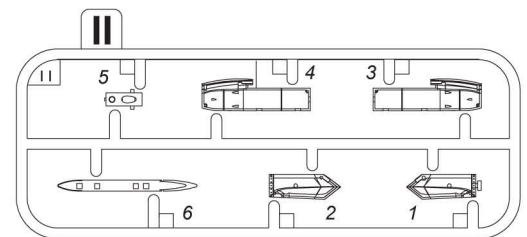
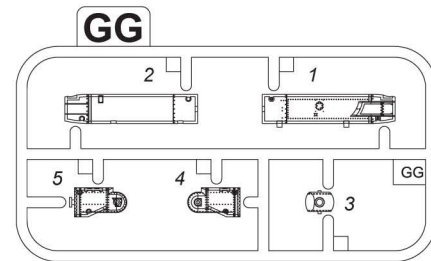
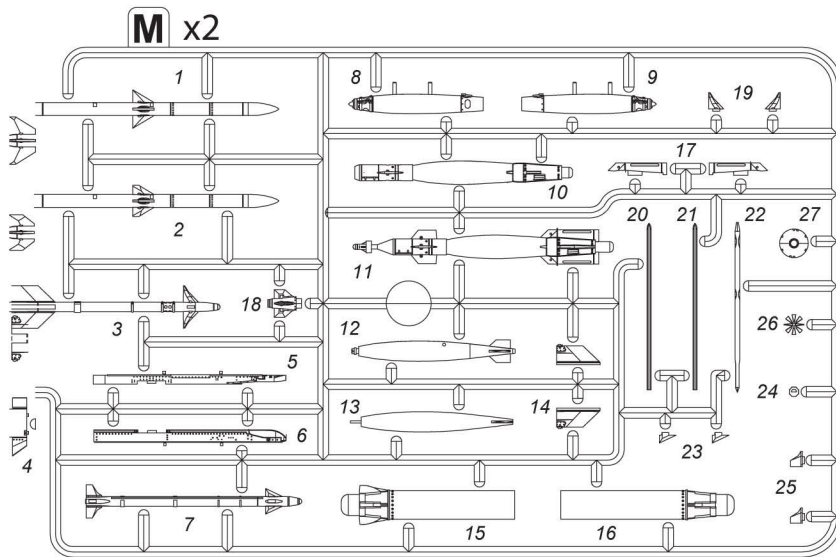
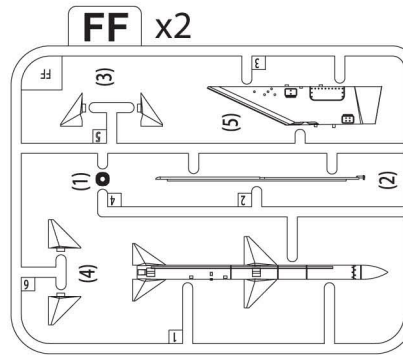
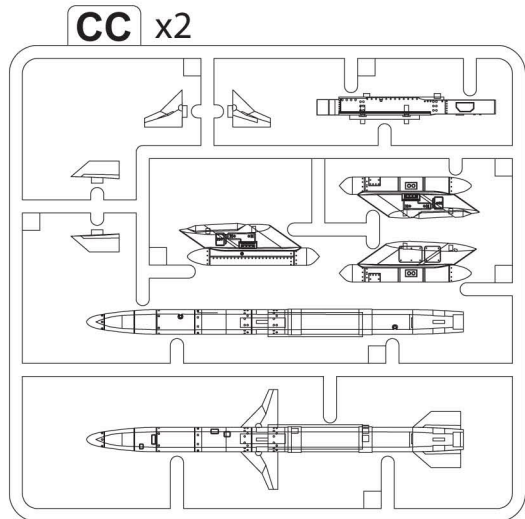
Tweezers





PE





AFTERMARKET SERVICES CARD

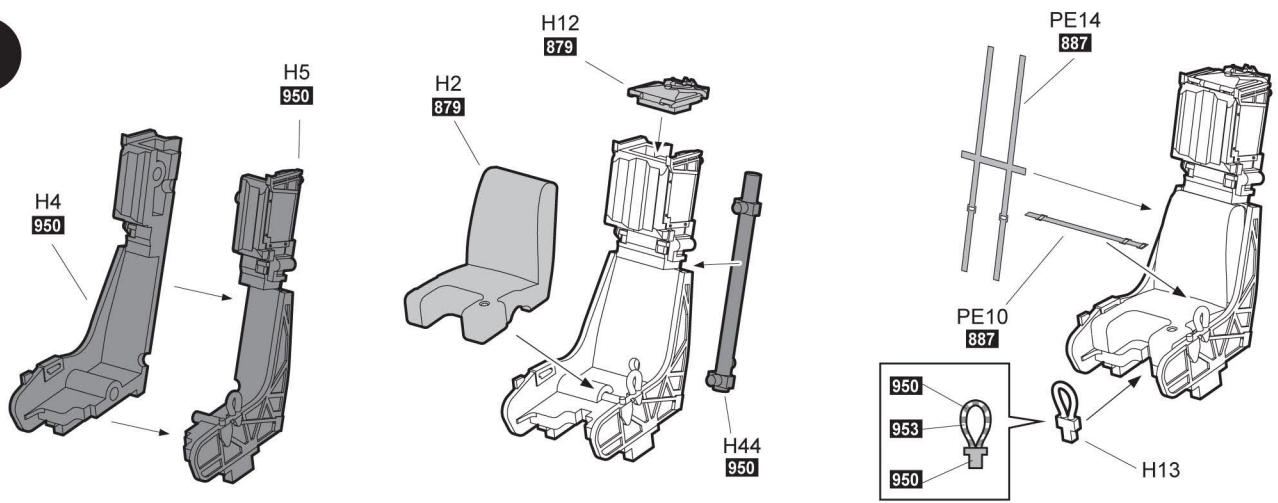
When requesting replacement parts, please take or send this form to your local dealer so that the parts required can be correctly identified. Please note that specifications and availability are subject to change without notice.

or visit <http://www.kineticmodel.com> for latest information.

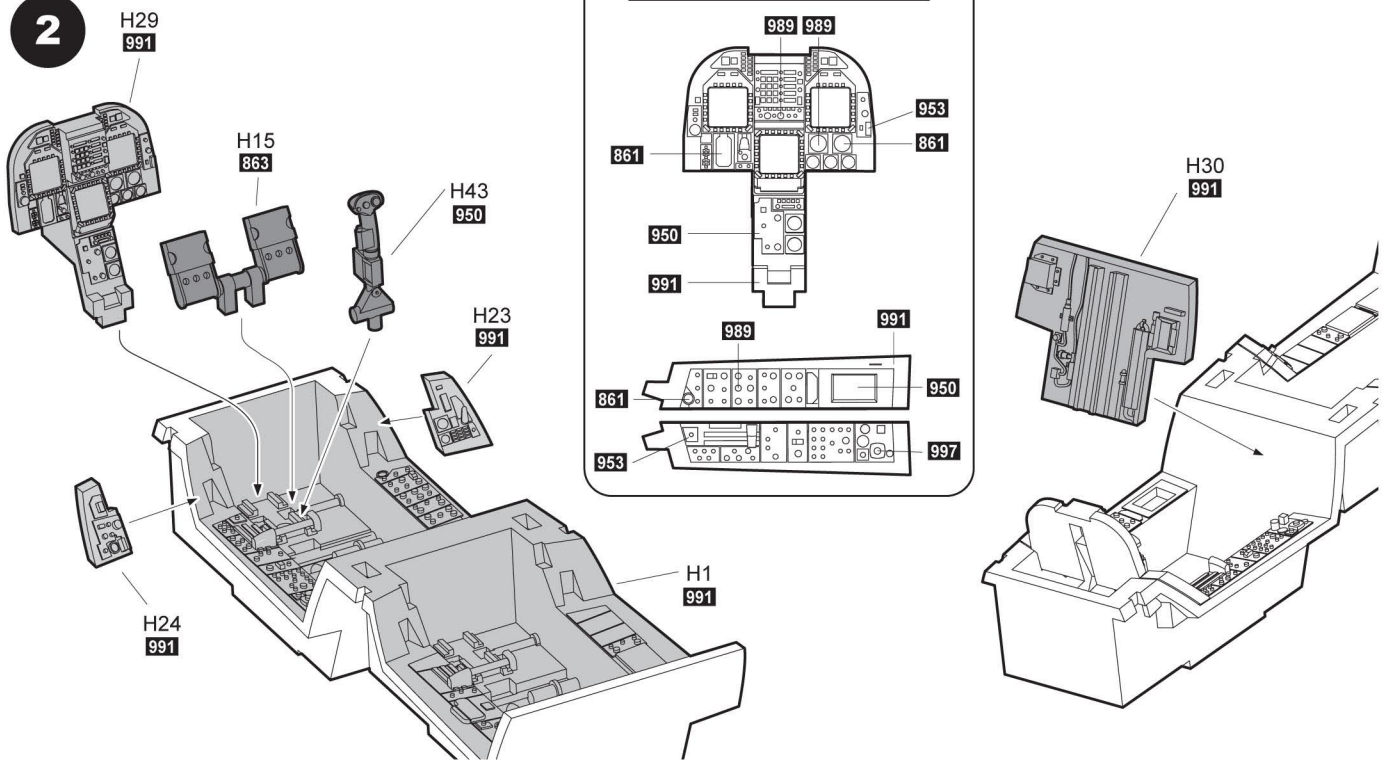
For more information, please contact services@kineticmodel.com

Part Code	K48031	Item	Qty
00-100-021	WEAPON SET (AIM-9x,9M,120B/C,GBU-12) PAR	M	2
00-100-026	AGM-88 HARMS PARTS CC	CC	2
00-100-029	AIM-7X FOR ROCAF PARTS FF	FF	2
00-100-030	LARTIN POD PARTS GG	GG	1
00-100-032	SNIPER XR POD PARTS II	II	1
00-112-001	1/48 F/A-18 UPPER FUESLAGE A	A	1
00-112-002	1/48 F/A-18 LOWER FUESLAGE B	B	1
00-112-003	1/48 F/A-18 FLAPS C	C	1
00-112-004	1/48 F/A-18 C/D VERTICAL TAIL D	D	1
00-112-005	1/48 F/A-18 WHEEL, PYLONS E	E	1
00-112-006	1/48 F/A-18 FUEL TANKS, PYLON F	F	1
00-112-007	1/48 F/A-18 A/C CANOPY G	G	1
00-112-008	1/48 F/A-18 COCKPIT, LANDING GEAR H	H	1
00-112-009	1/48 F/A-18 A/C PARTS I	I	1
00-112-012	1/48 F/A-18 COMMON CLEAR PARTS L	L	1
01-100-001	WEAPON STENCIL		1
01-112-48031	1/48 F/A-18C		1
03-112-48031	1/48 F/A-18C MANUAL		1
06-112-48030	1/48 F/A-18 A/B/C/D PE		1

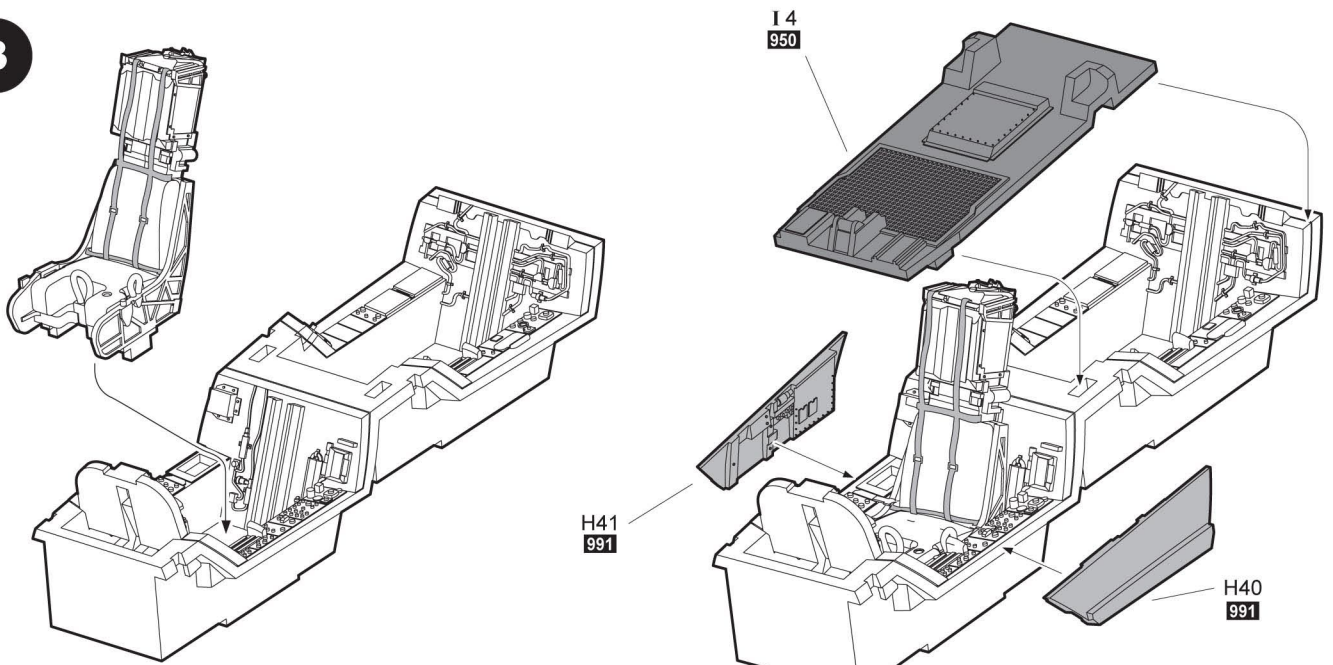
1



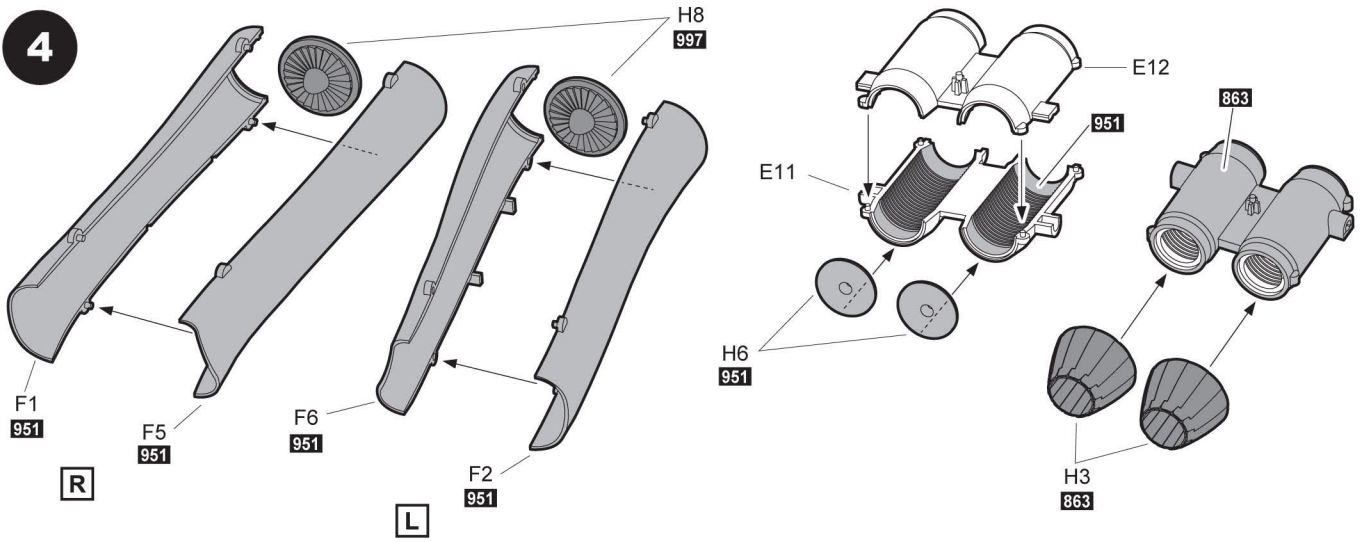
2



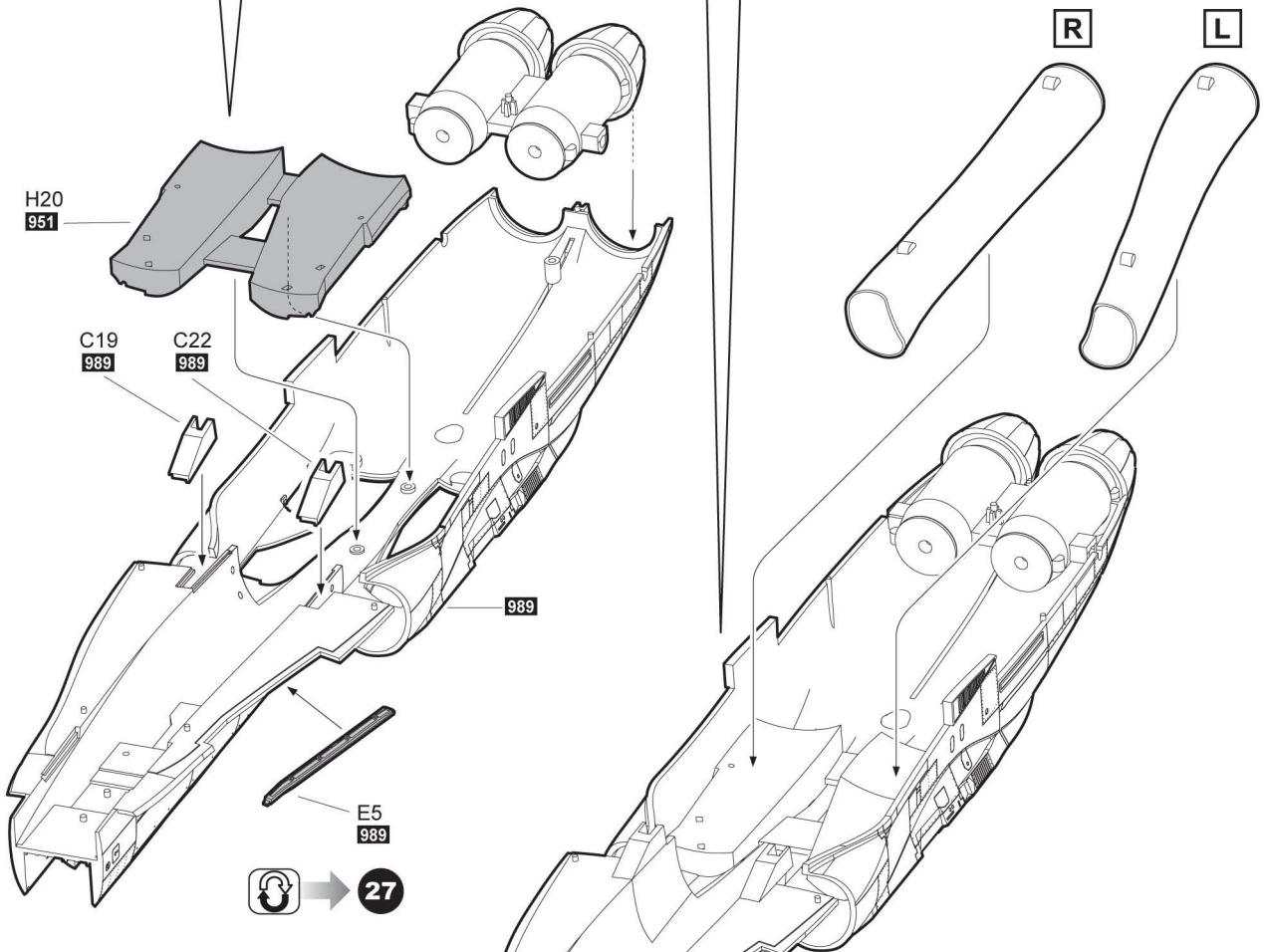
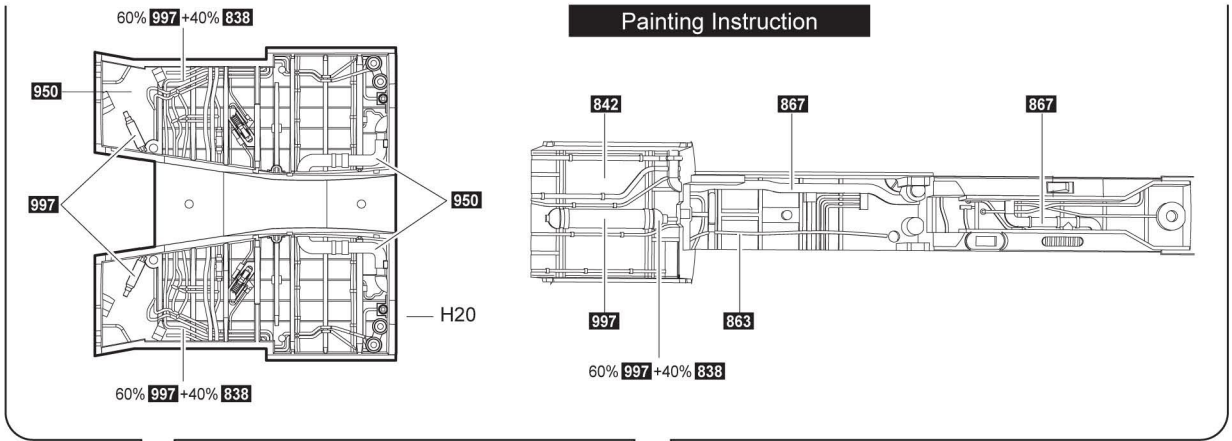
3



4



5

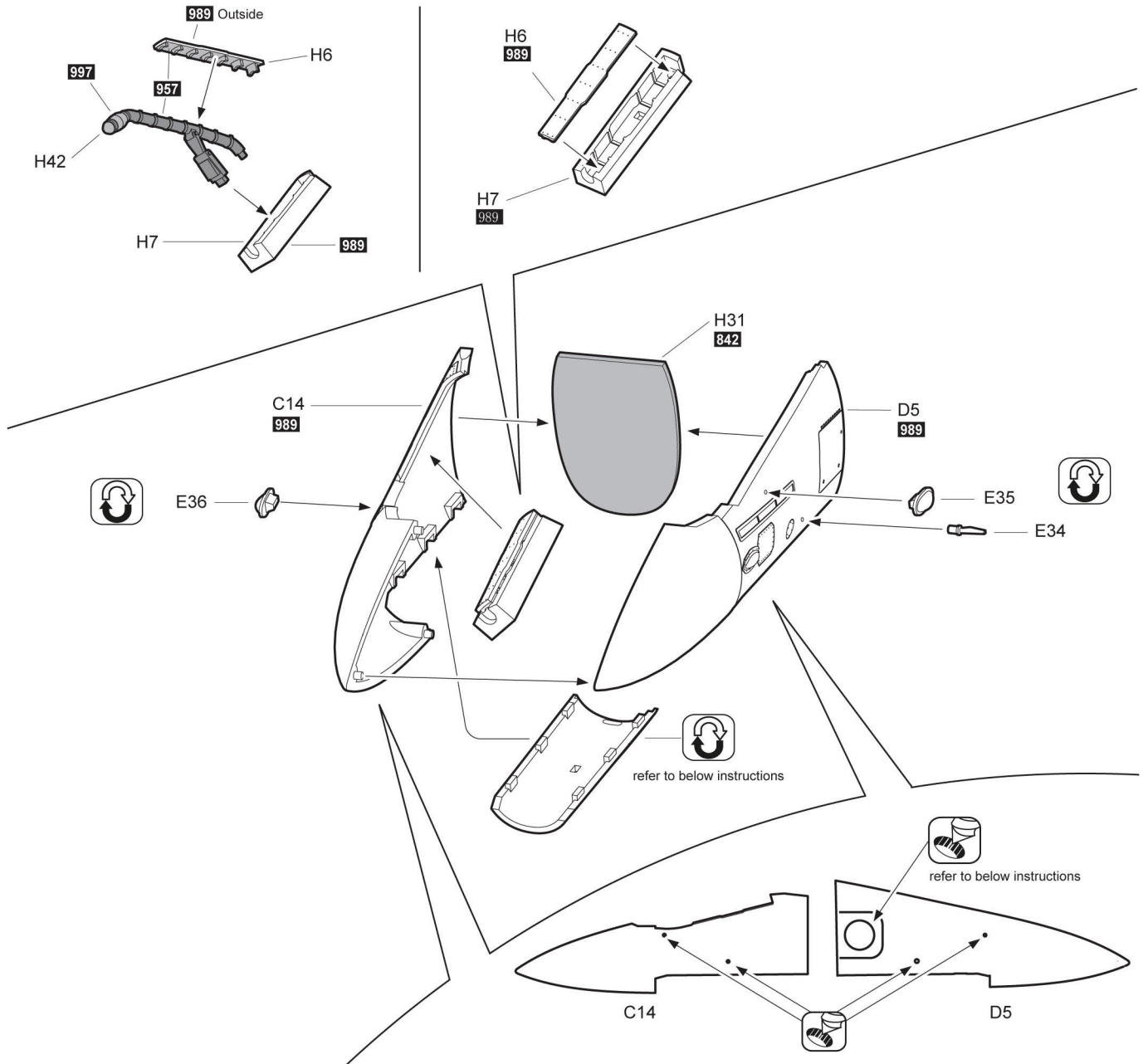


6

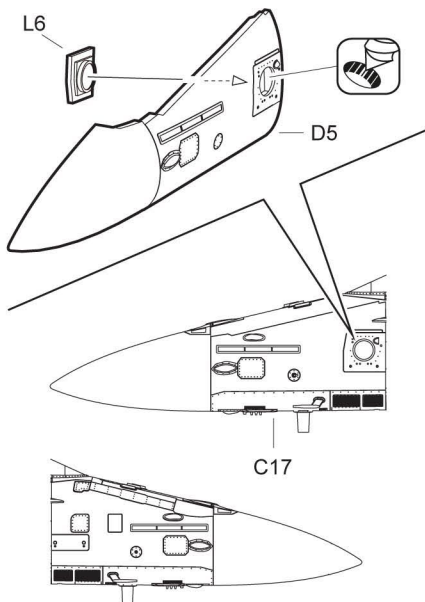
Refuelling Probe Open



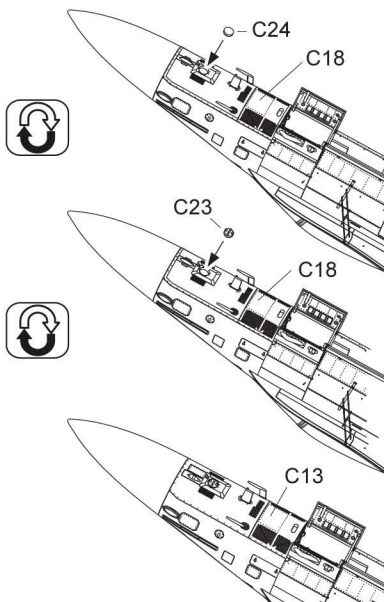
Refuelling Probe Close



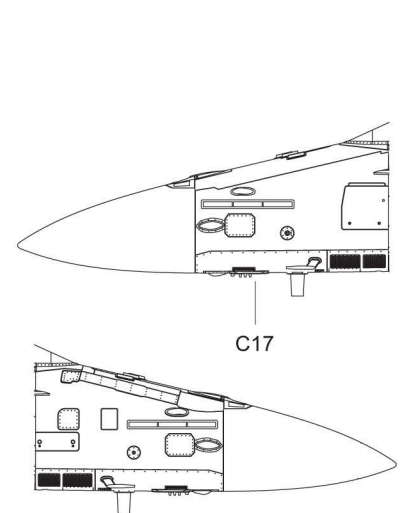
SWISS/FINLAND F-18C



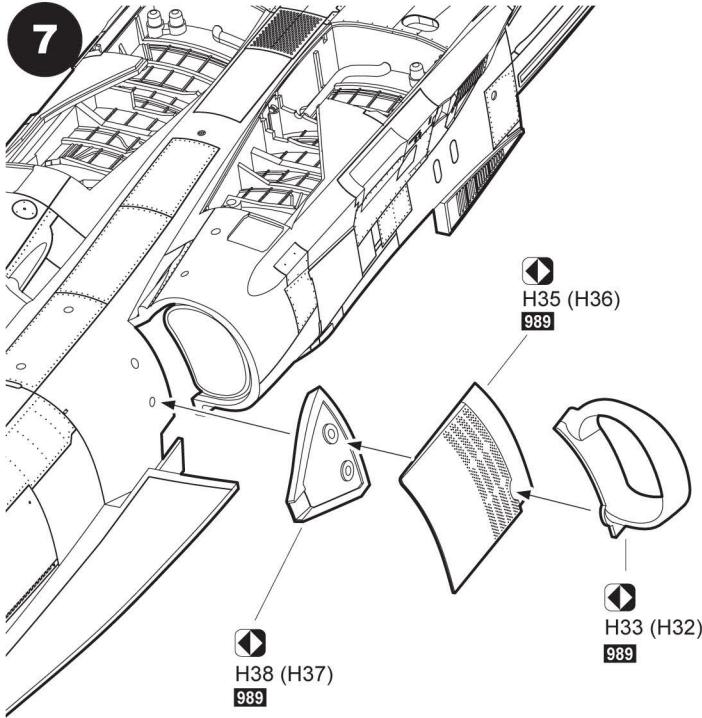
US NAVY early F-18C



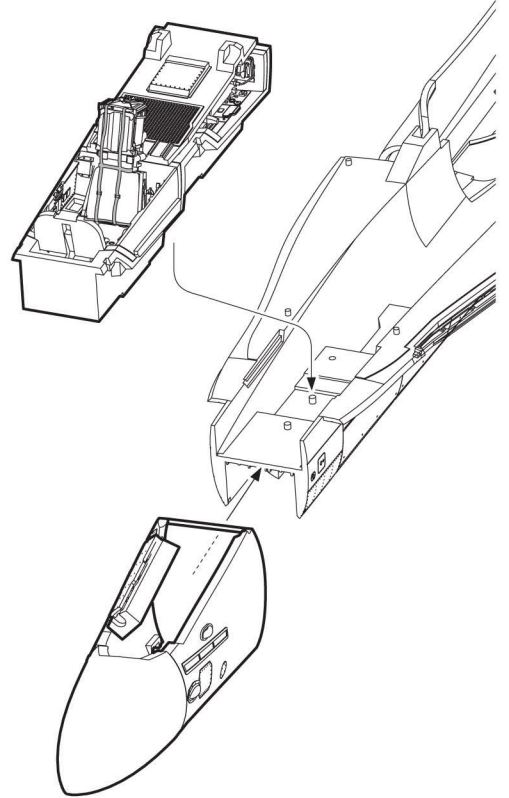
US NAVY Late F-18C



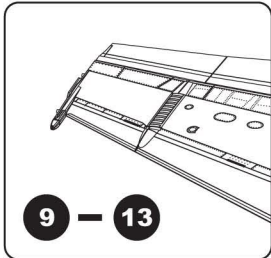
7



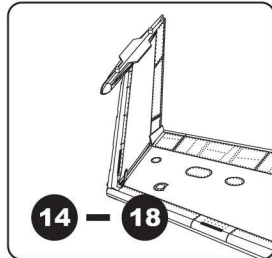
8



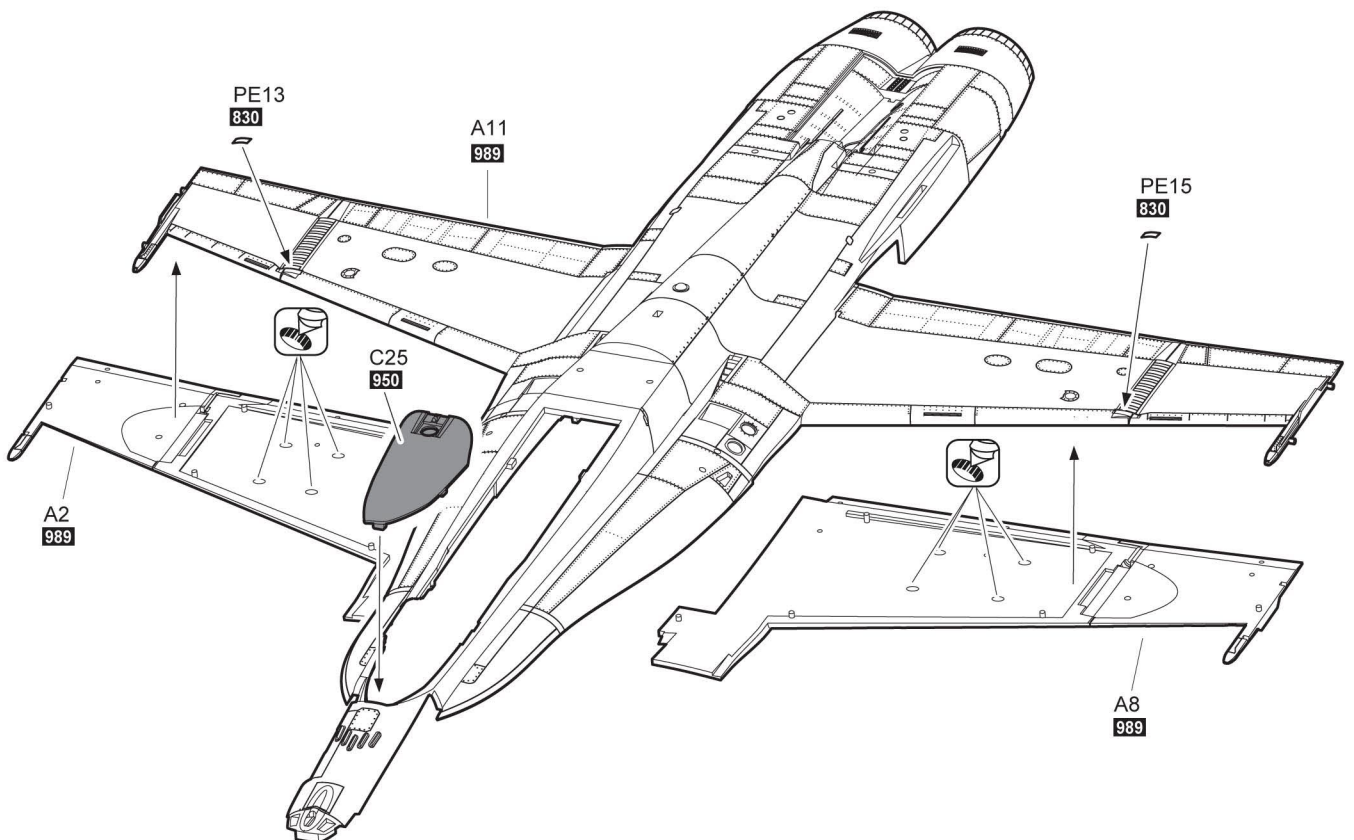
9



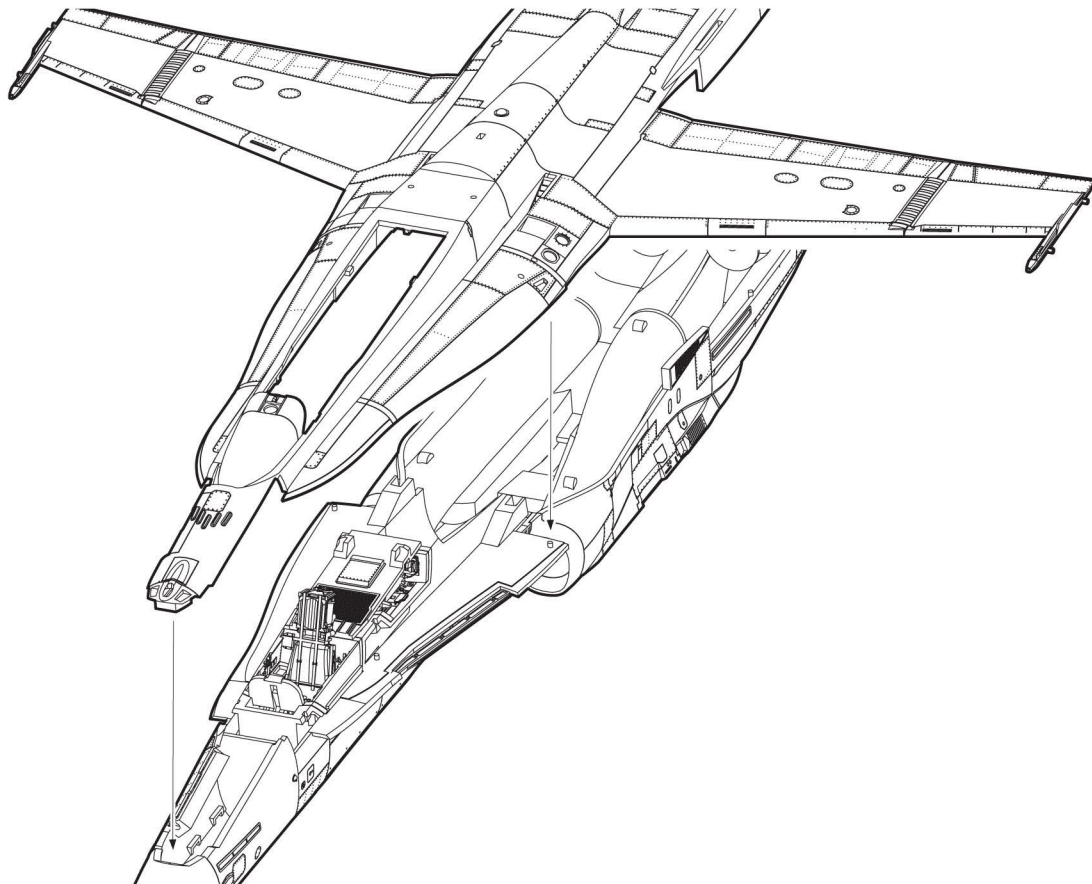
Wings extended



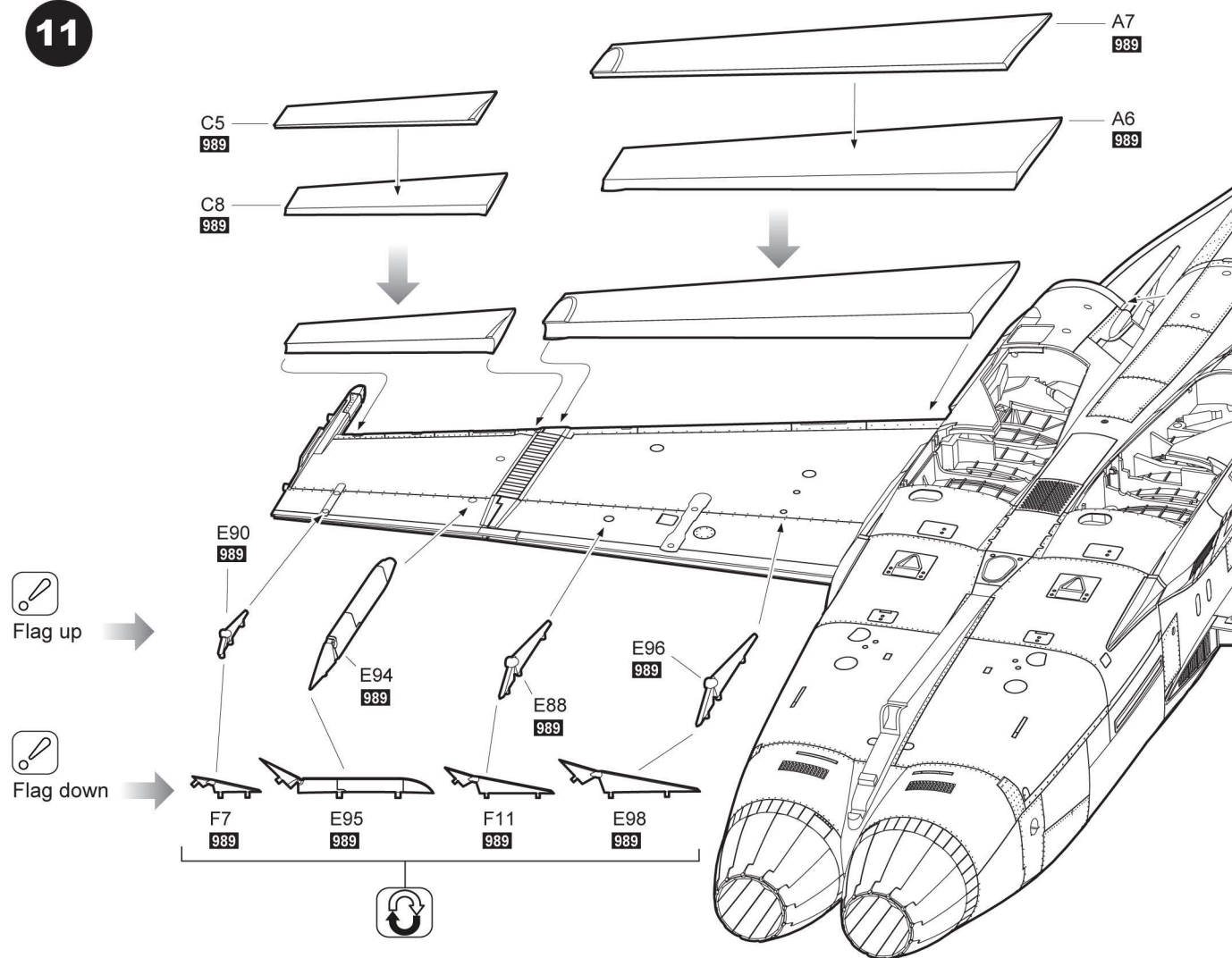
Fold Wings



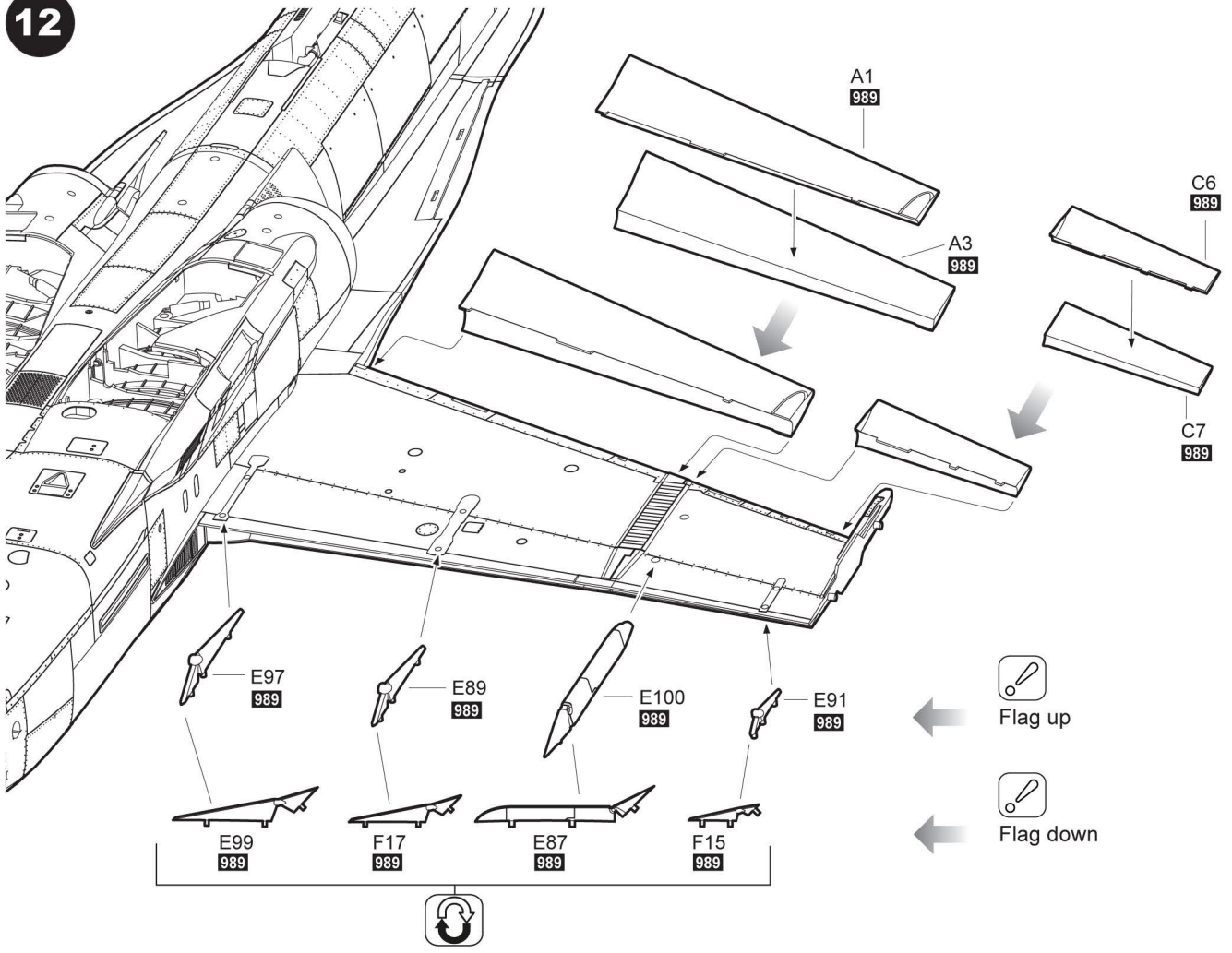
10



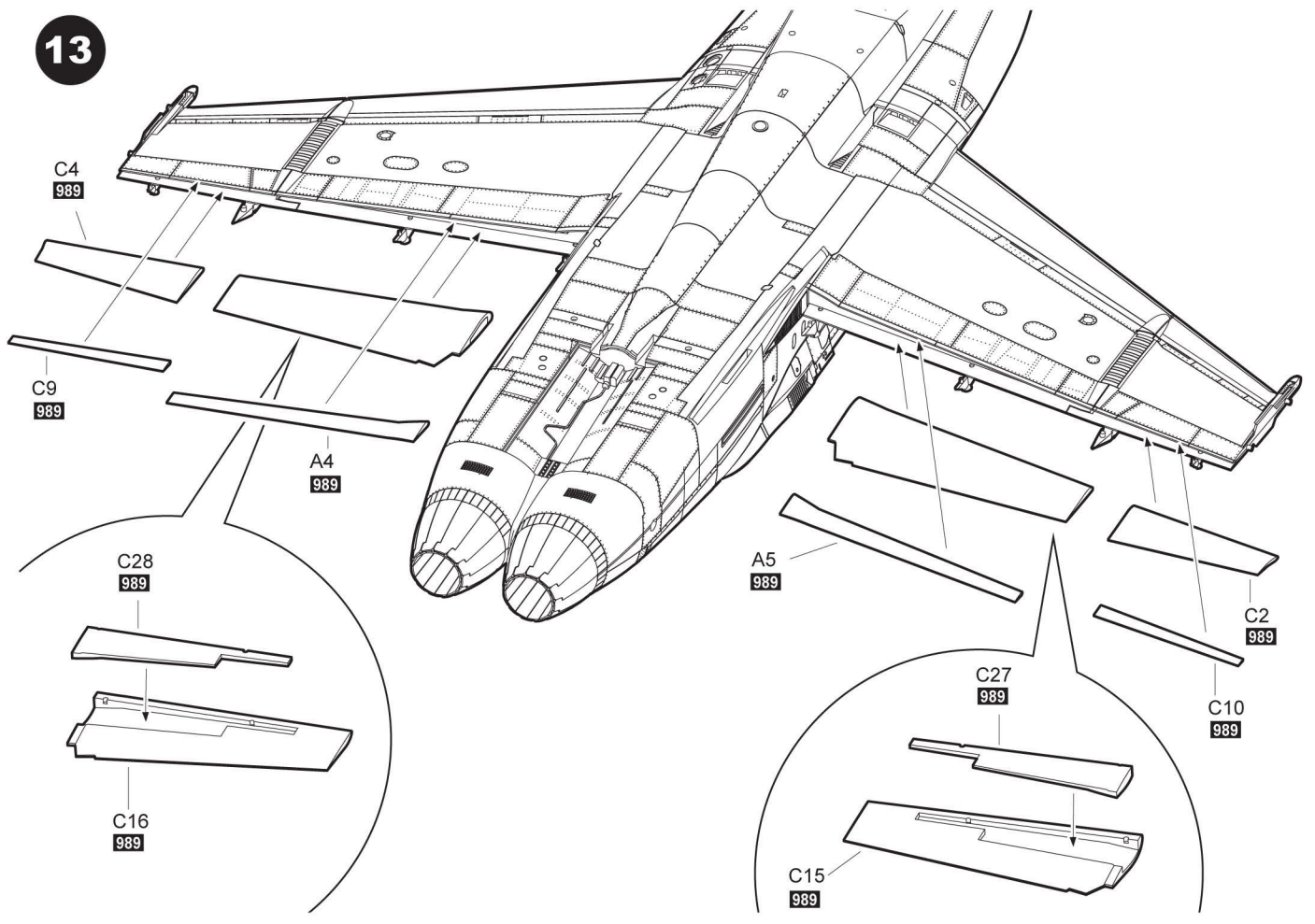
11



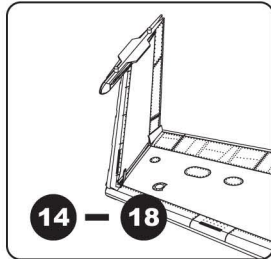
12



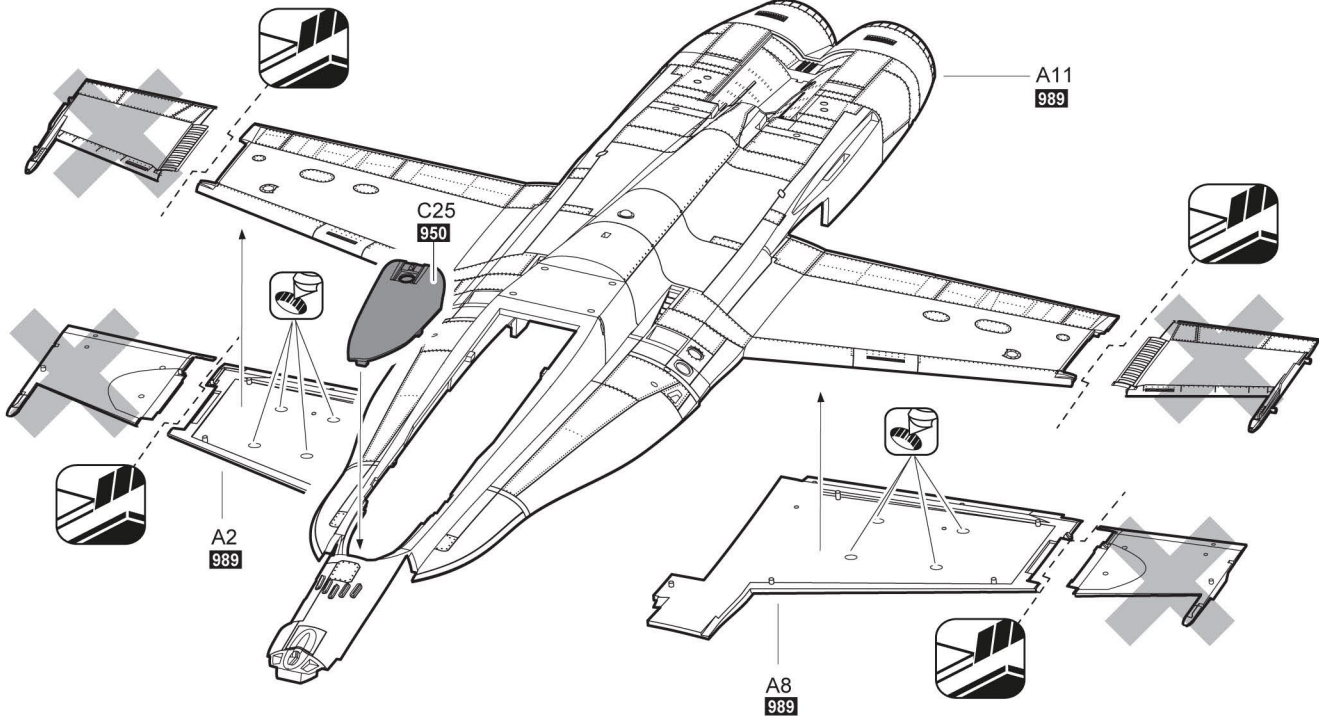
13



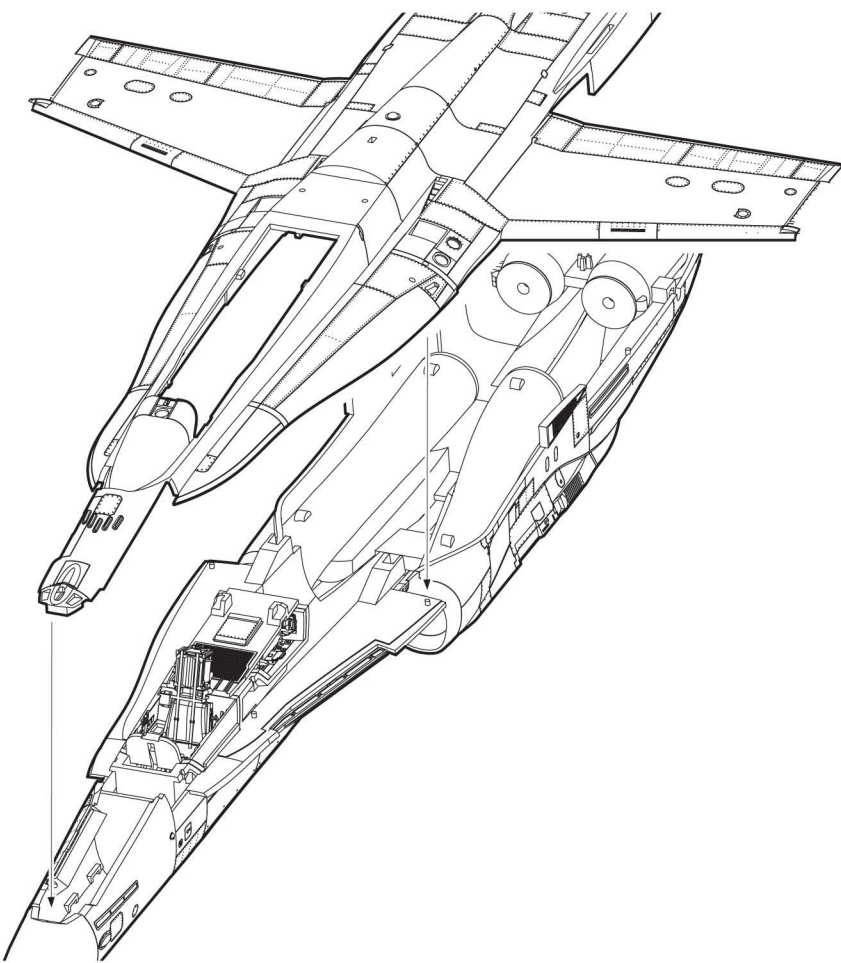
14



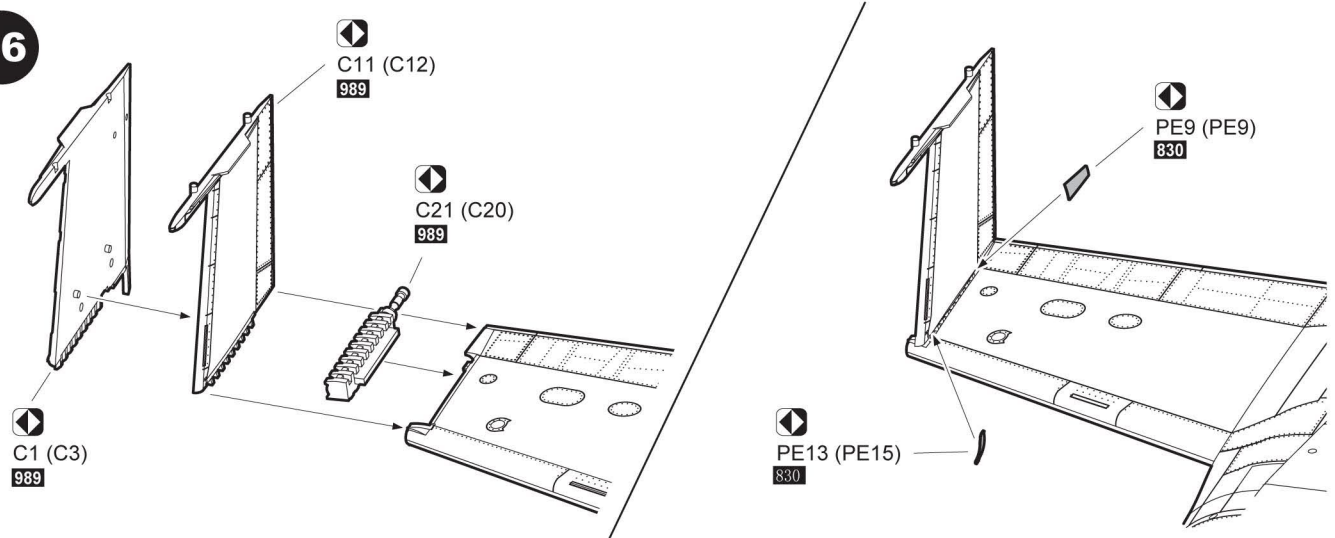
Fold Wings



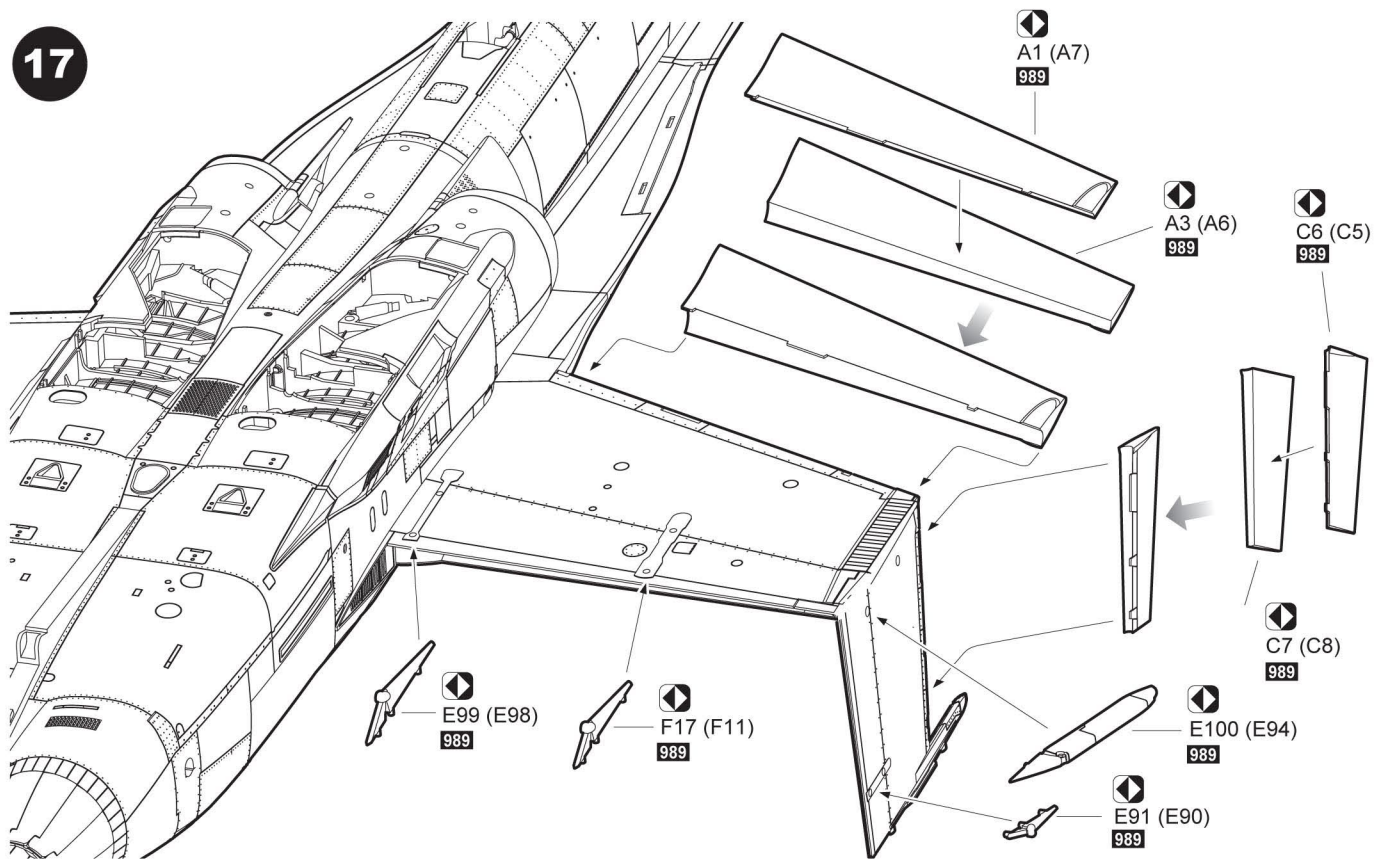
15



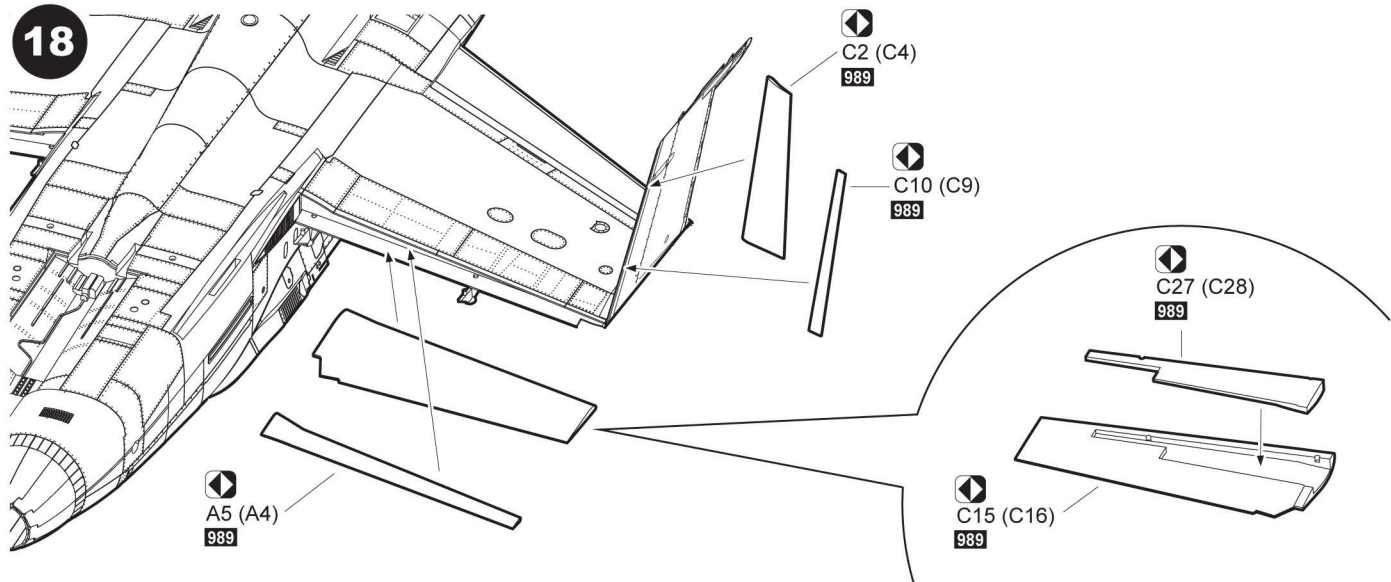
16



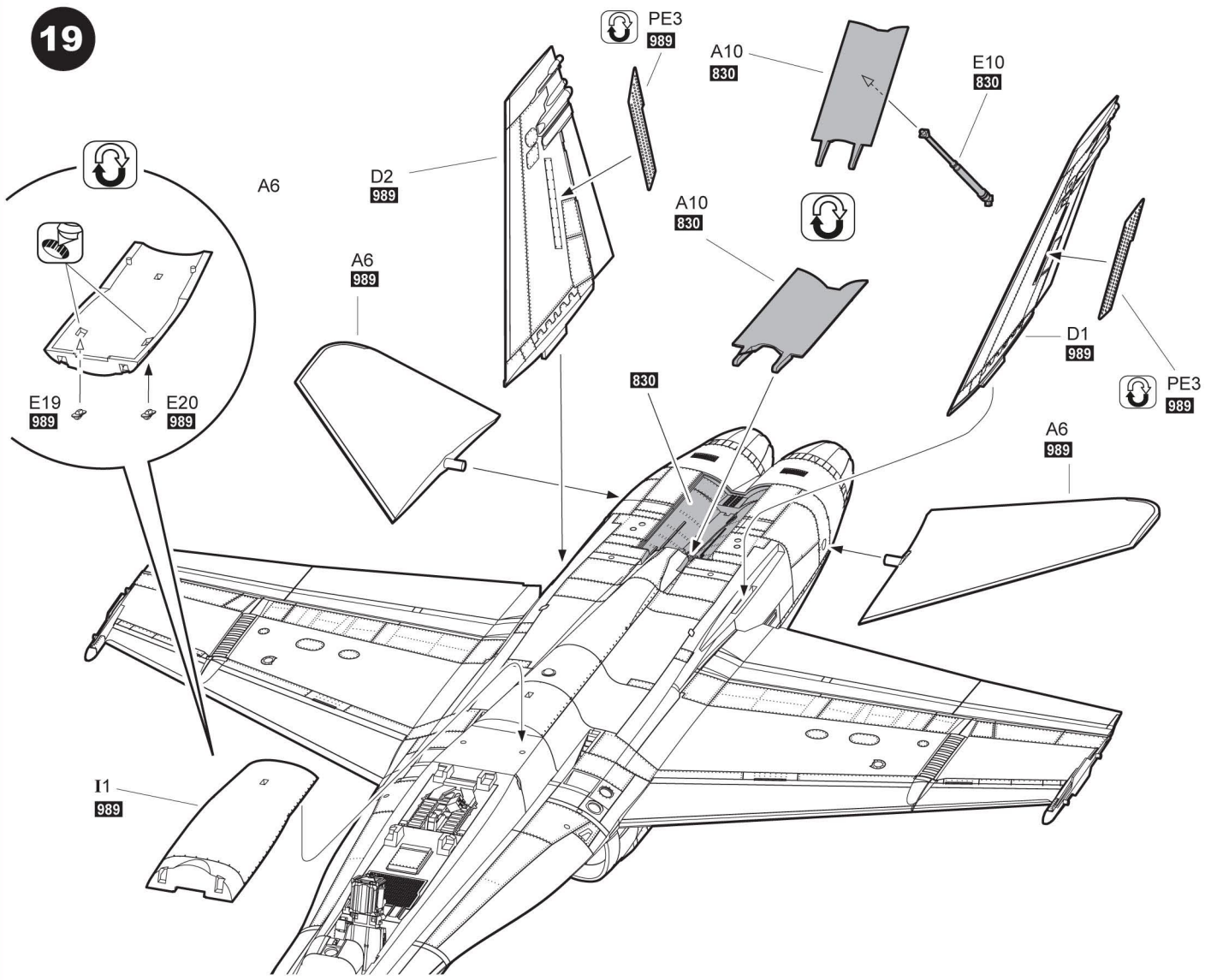
17



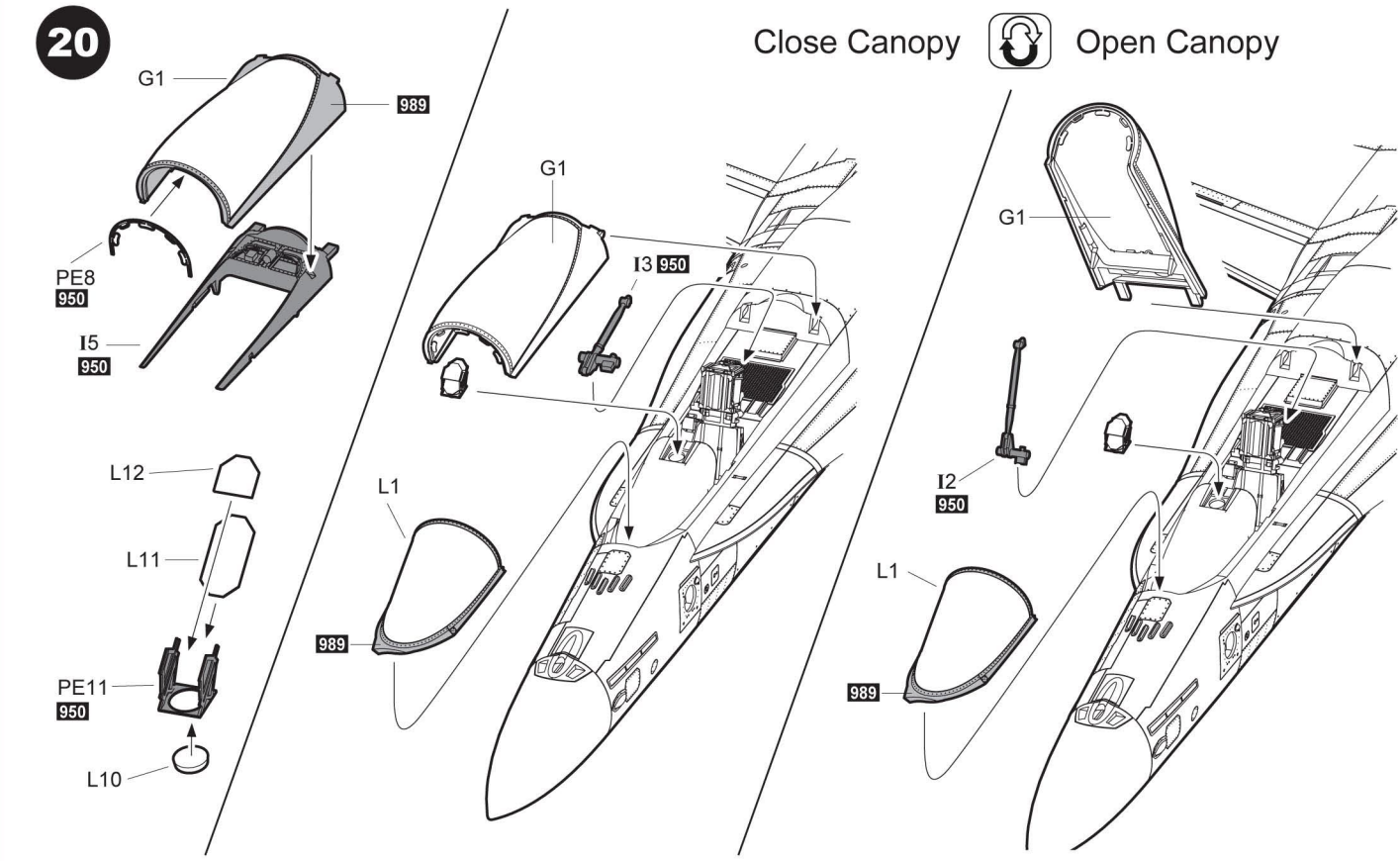
18



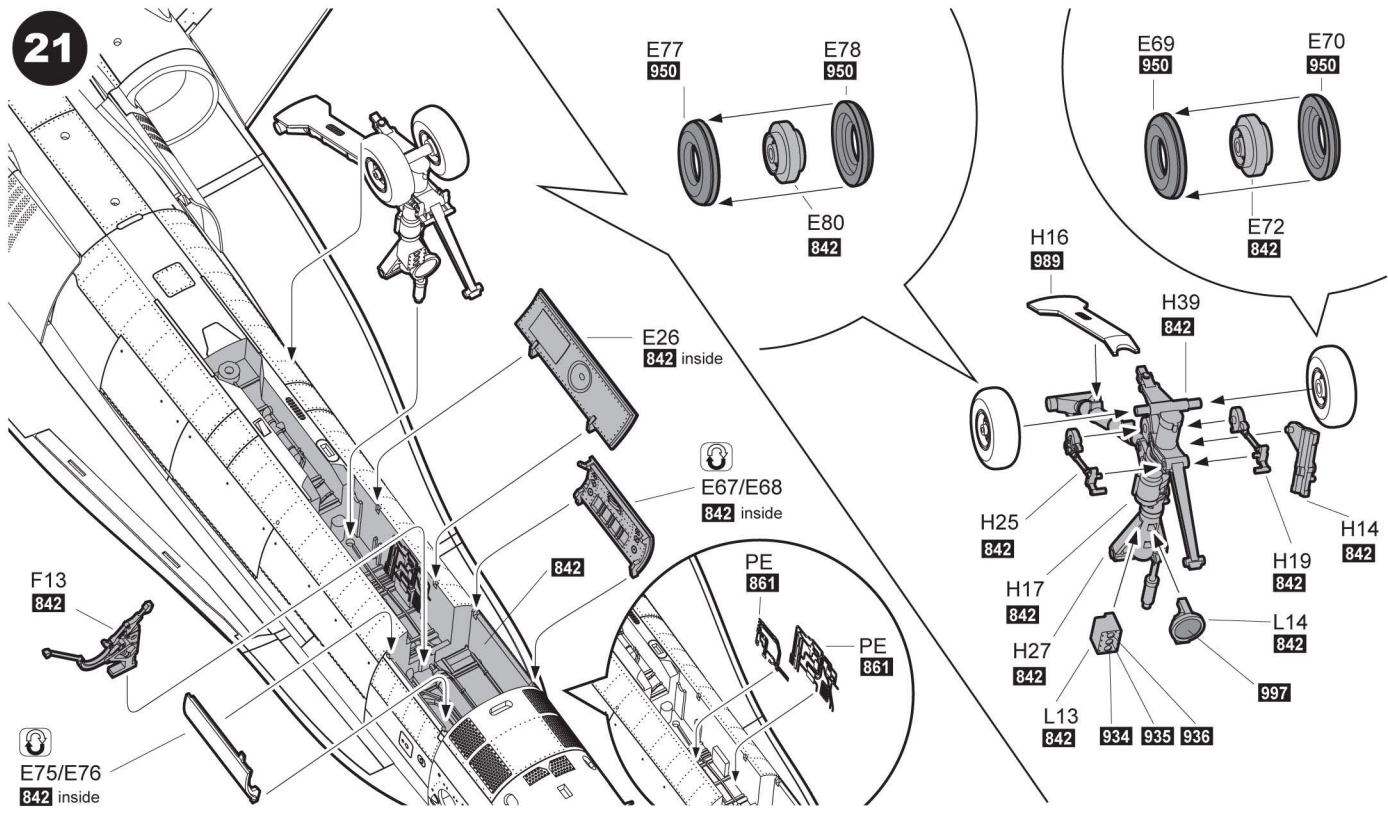
19



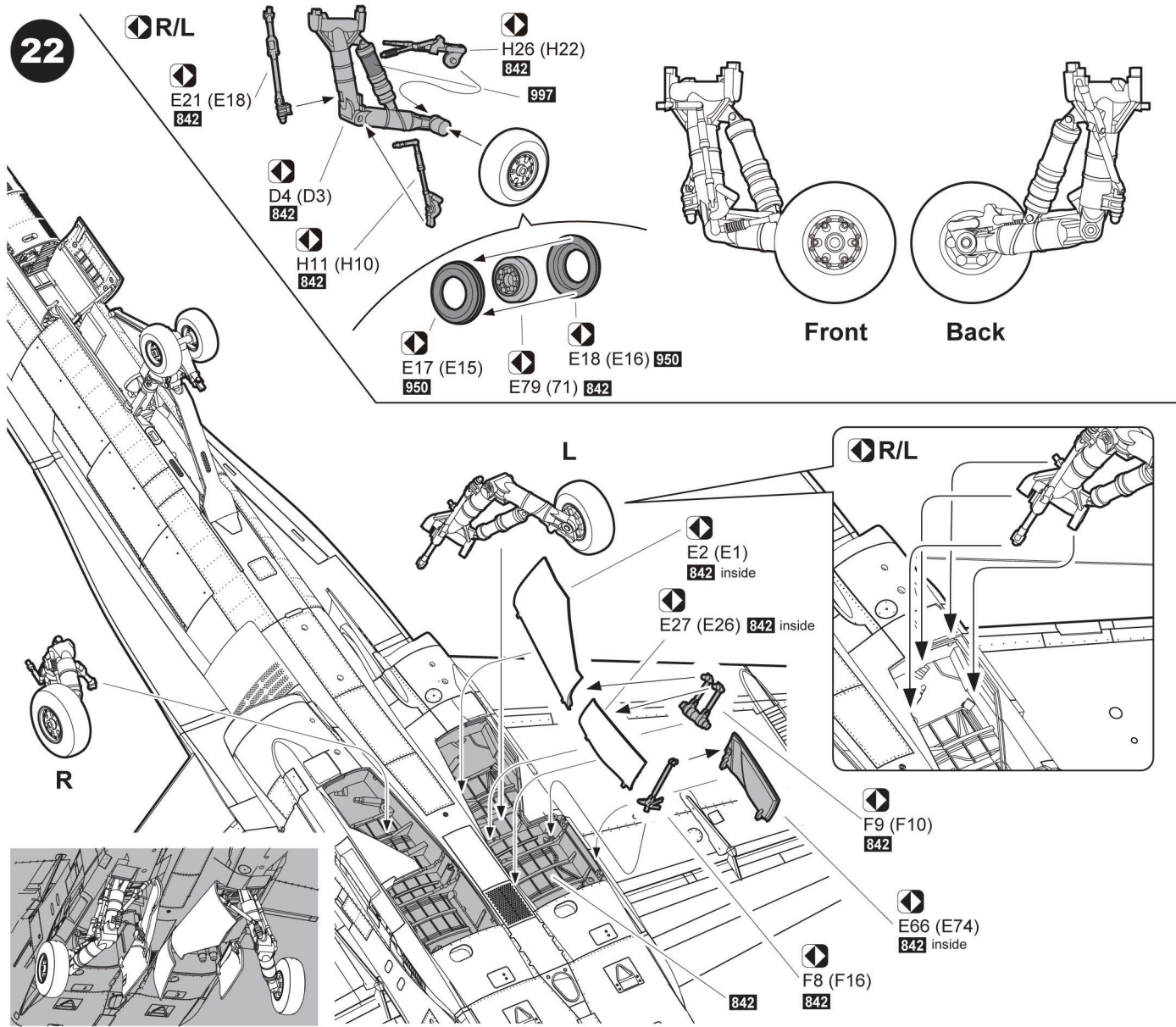
20



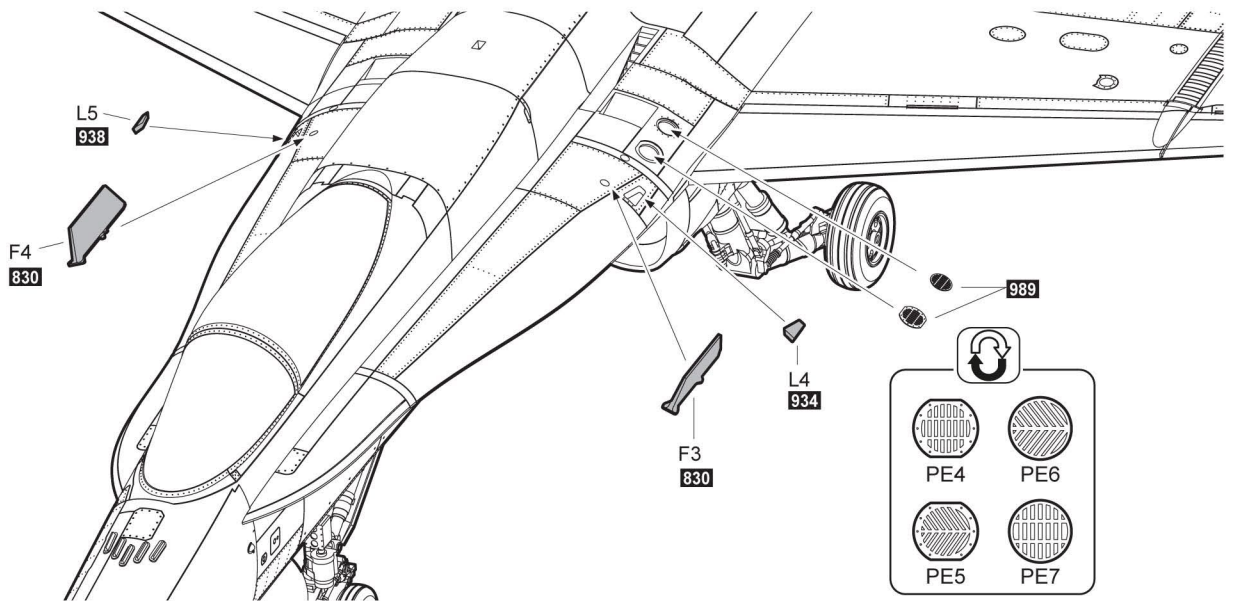
21



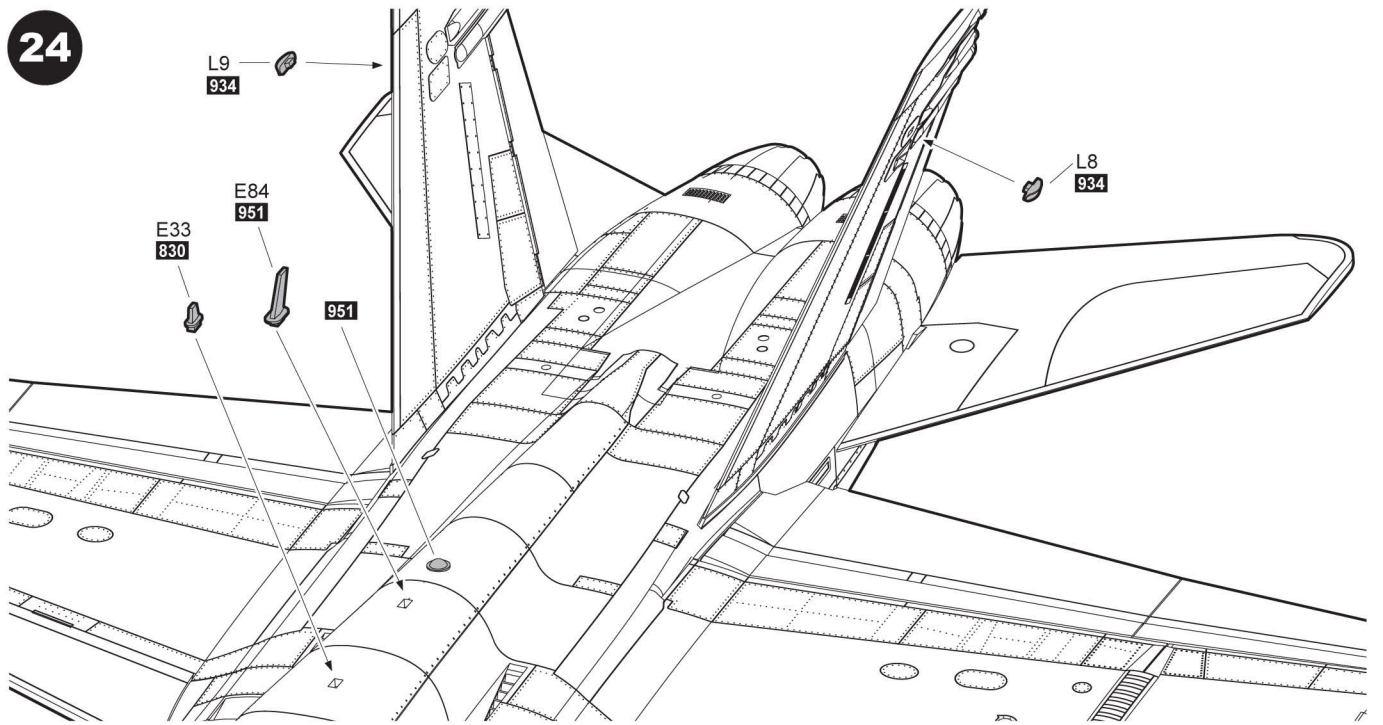
22



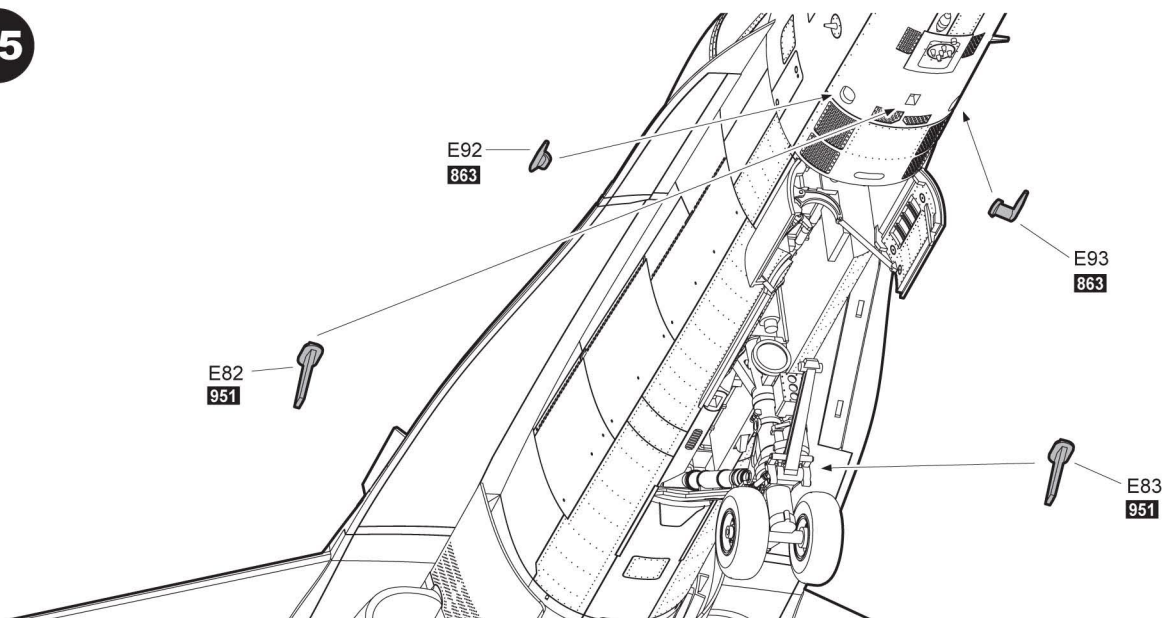
23



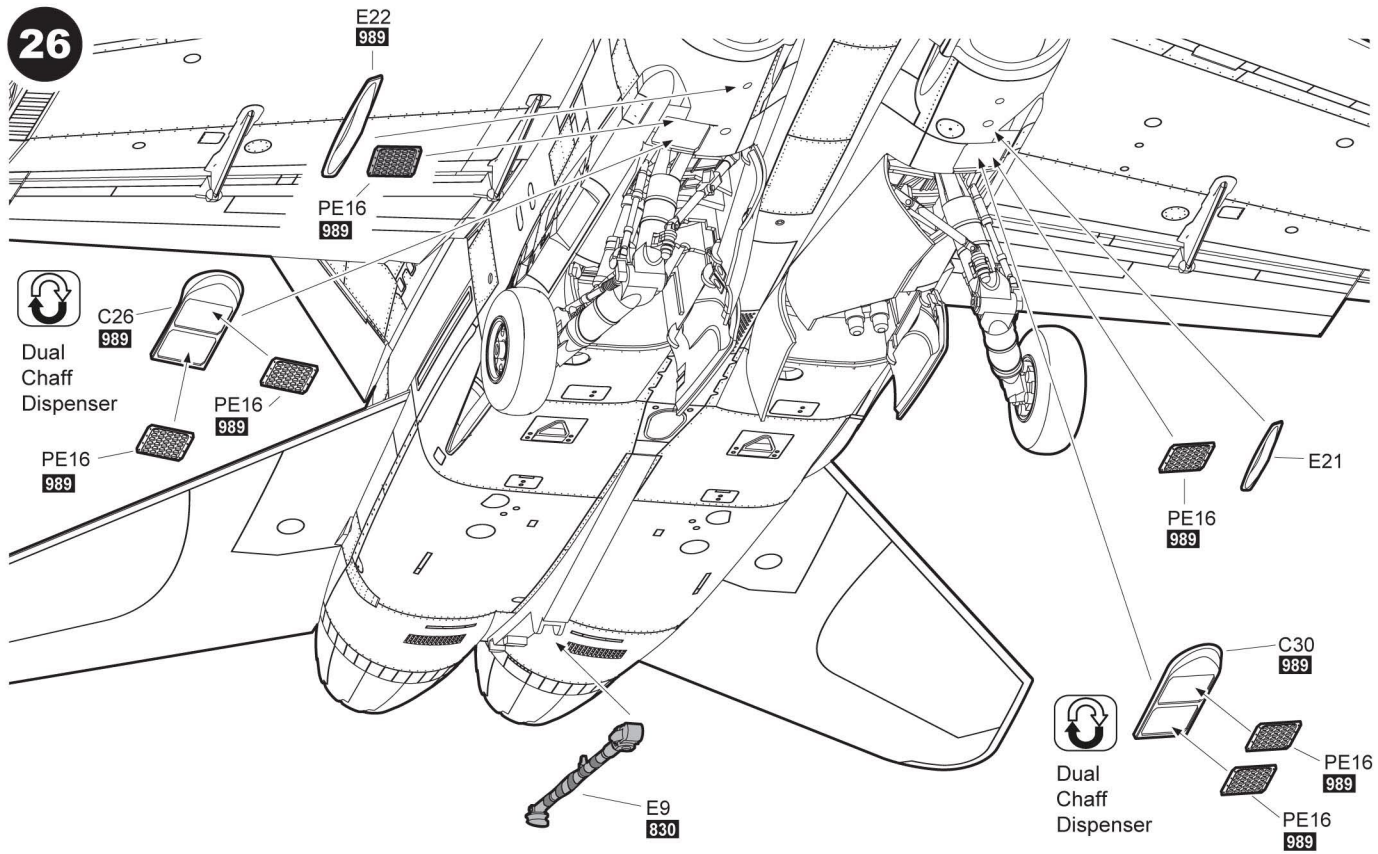
24



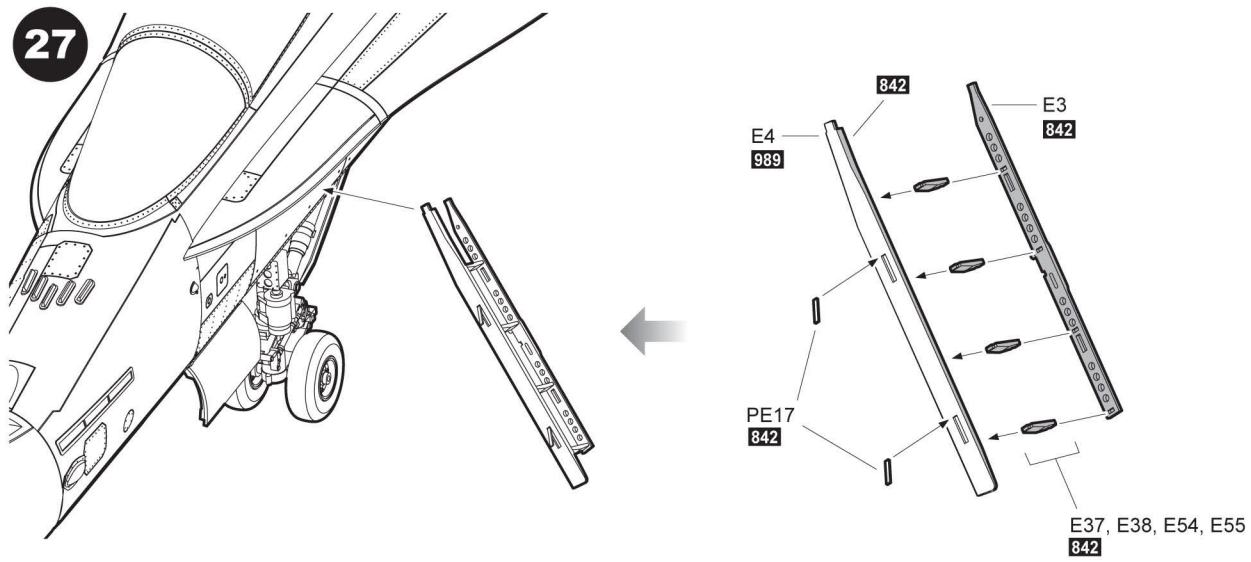
25



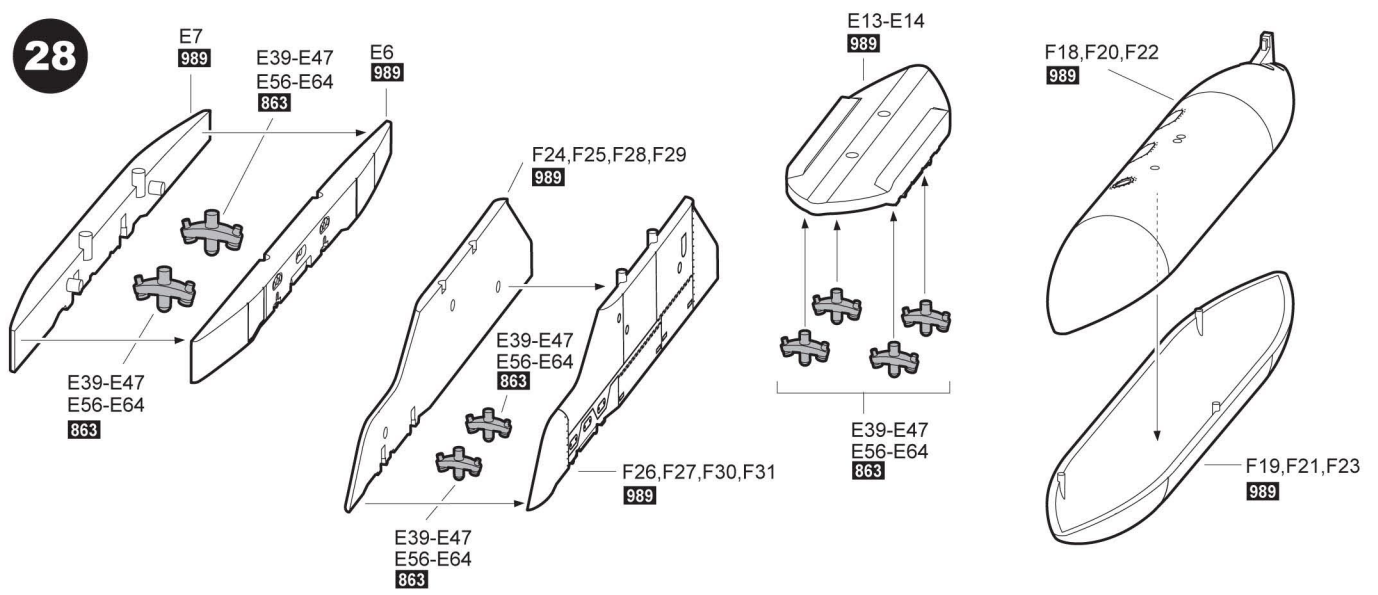
26



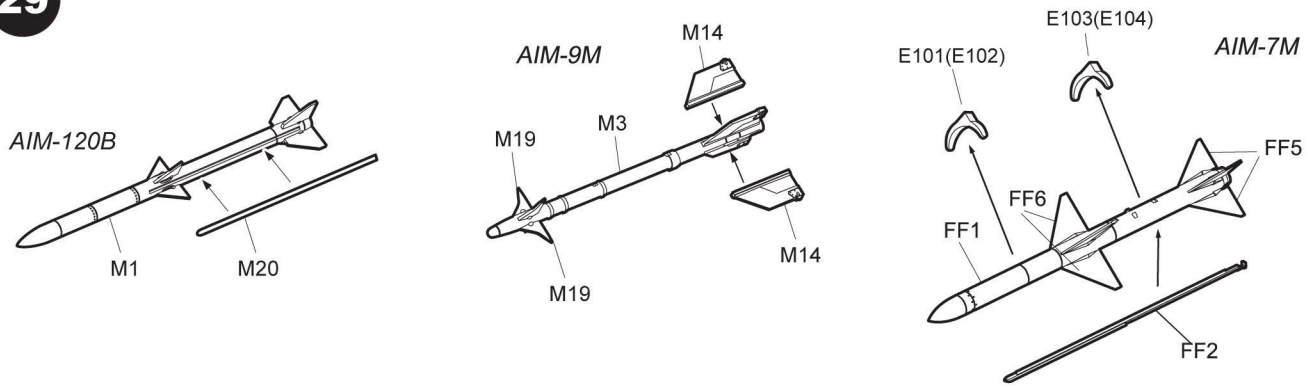
27



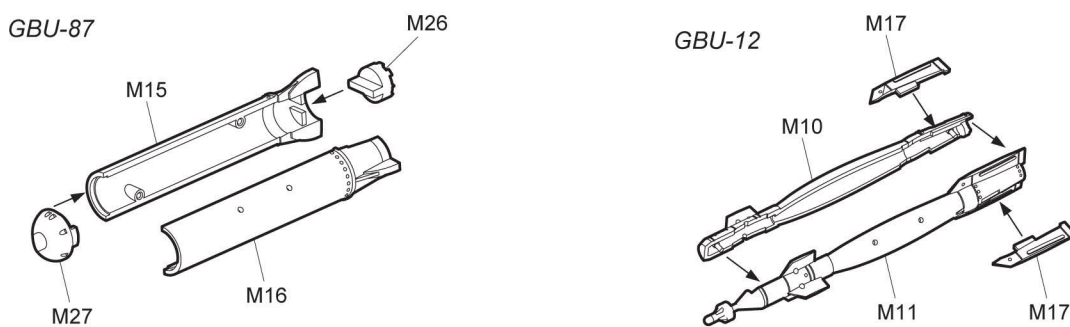
28



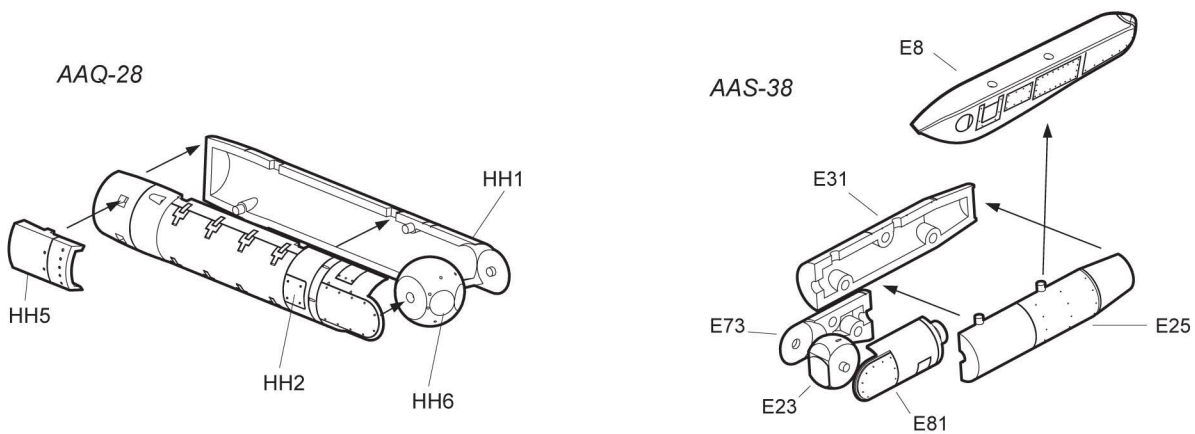
29



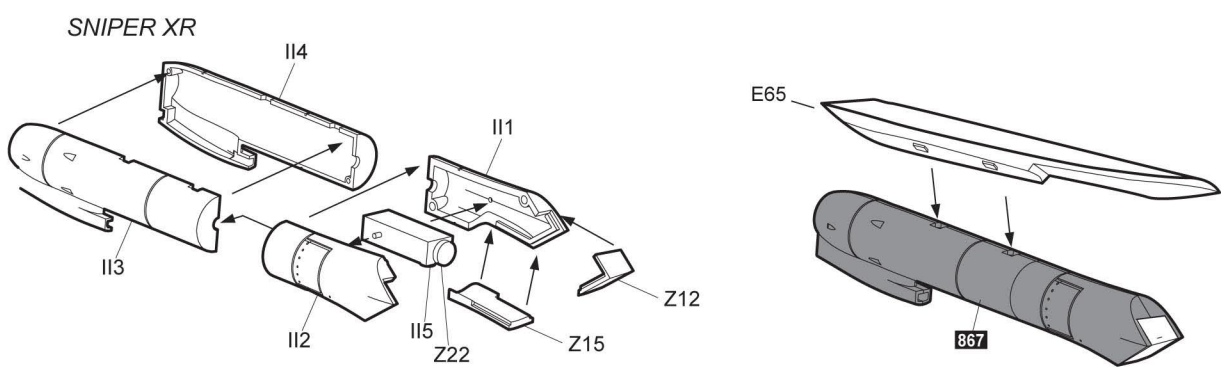
30



31

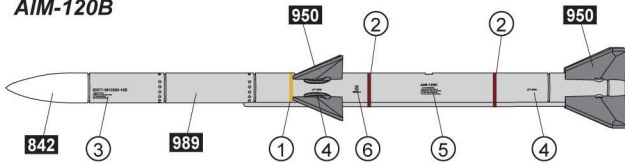


32

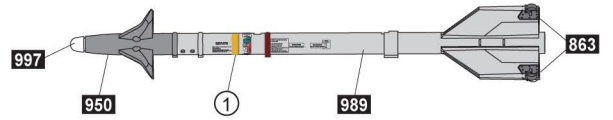


Painting & Decal Placement - External Stores

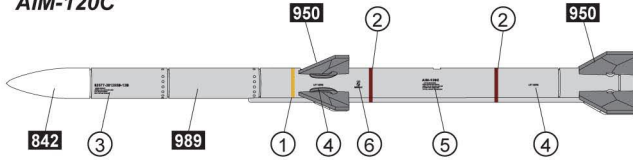
AIM-120B



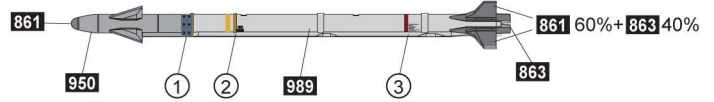
AIM-9M



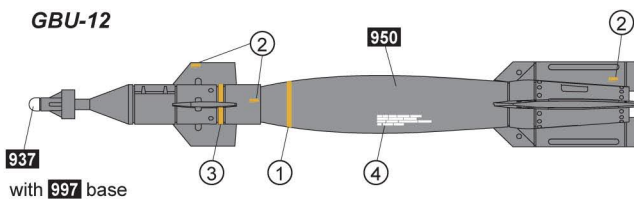
AIM-120C



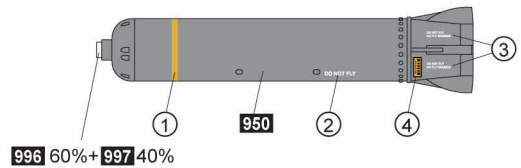
AIM-9X



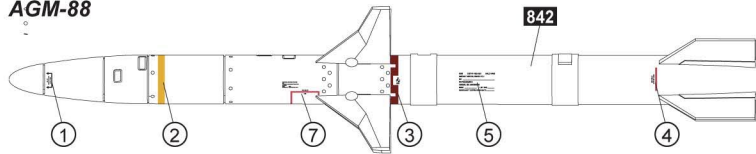
GBU-12



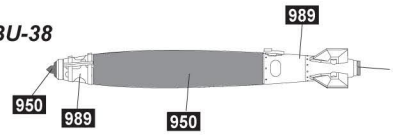
CBU-87



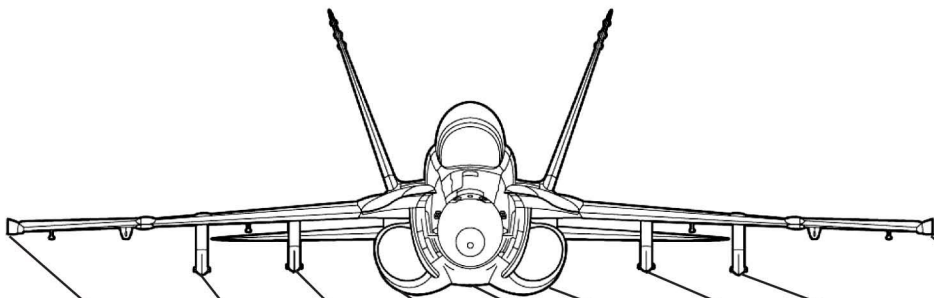
AGM-88



GBU-38



EXTERNAL STORES



Weapons	Sta. No.	<9>	<8>	<7>	<6>	<5>	<4>	<3>	<2>	<1>
AIM-9M/X		●	● ●						● ●	
AIM-7F/M					●		●			
AIM-120			● ●		●		●		● ●	●
330 gal. Fuel Tank				●		●		●		
GBU-12			●	●				●		
AGM-88			●	●				●		
AN/ASQ-173 LDT/SCAM					●				●	
AN/AAR-50 TINS					●				●	
AN/AAS-38 FLIR							●			
AAQ-32							●			
AAQ-28					●					
CBU-10			●	●				●	●	

PAINT INDEX

COLOR	VALLEJO MODEL COLOR	FEDERAL STANDARD	GSI CREOS MR. COLOR	TAMIYA ENAMEL/ACRYLIC	HUMBROL ENAMEL
Luftwaffe Cam. Green	823	34095	-	X05	2
German Fieldgrey WWII	830	34086	-	XF62	66
Emerald	838	-	-	-	-
Light Turquoise	840	35109	-	-	77
Gloss White	842	17925	1	-	22
Glossy Black	861	17038	2	-	21
Gunmetal Grey	863	37200	76	XF56	53
Dark Blue Grey	867	36099	36	XF54	79
Medium Sea Grey	870	36270	306	XF20	126
Tan Earth	874	30219	-	-	-
Green Brown	879	33245	81	-	-
Brown Violet	887	34088	304	XF72	155
Intermediate Green	891	30479	-	-	117
U.S. Dark Green	893	34079	309	XF27	91
Pastel Blue	901	35190	-	-	-
Blue Grey Pale	905	36320	13	-	128
Sand Yellow	916	30279	-	-	250
Transparent Red	934	-	-	-	220
Transparent Orange	935	-	-	-	-
Transparent Green	936	38901	-	-	-
Transparent Blue	938	-	-	-	-
Black	950	37038	12	XF1	33
White	951	37925	11	XF2	34
Flat Yellow	953	23655	413	XF3	15
Flat Red	957	31136	-	XF07	153
Medium Blue	963	25102	-	-	52
Sky Grey	989	36463	-	XF19	127
Light Grey	990	36375	308	-	-
Dark Sea Grey	991	36231	317	XF54	27
Gold	996	17043	9	-	-
Silver	997	17178	8	XF16	11

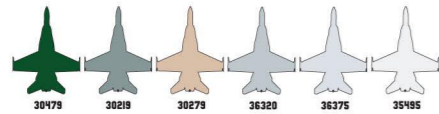
F/A-18C 1/48 SCALE AIRCRAFT SERIES NO: K48031



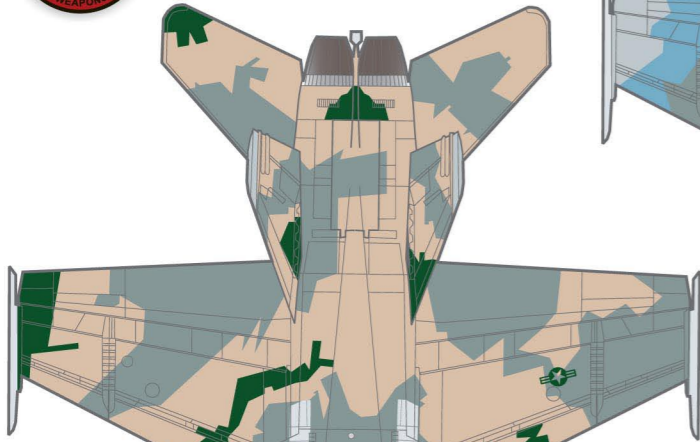
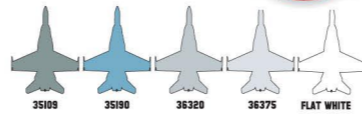
F/A-18C



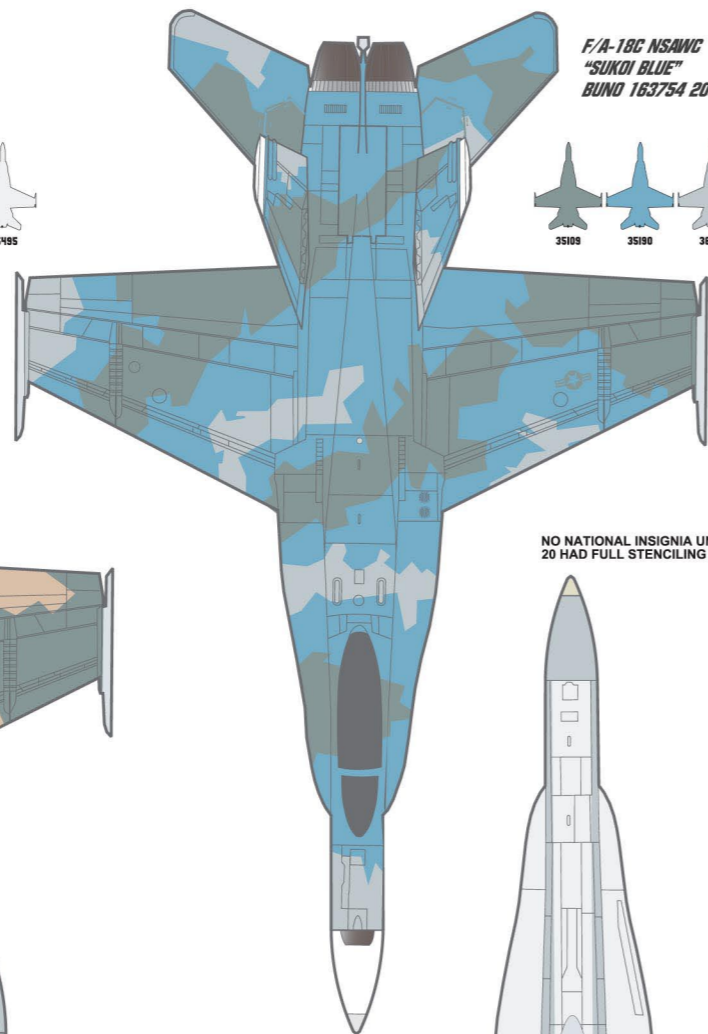
F/A-18C NSAWC
"RUSSIAN SPLENDOR"
BUNO 163746 2009



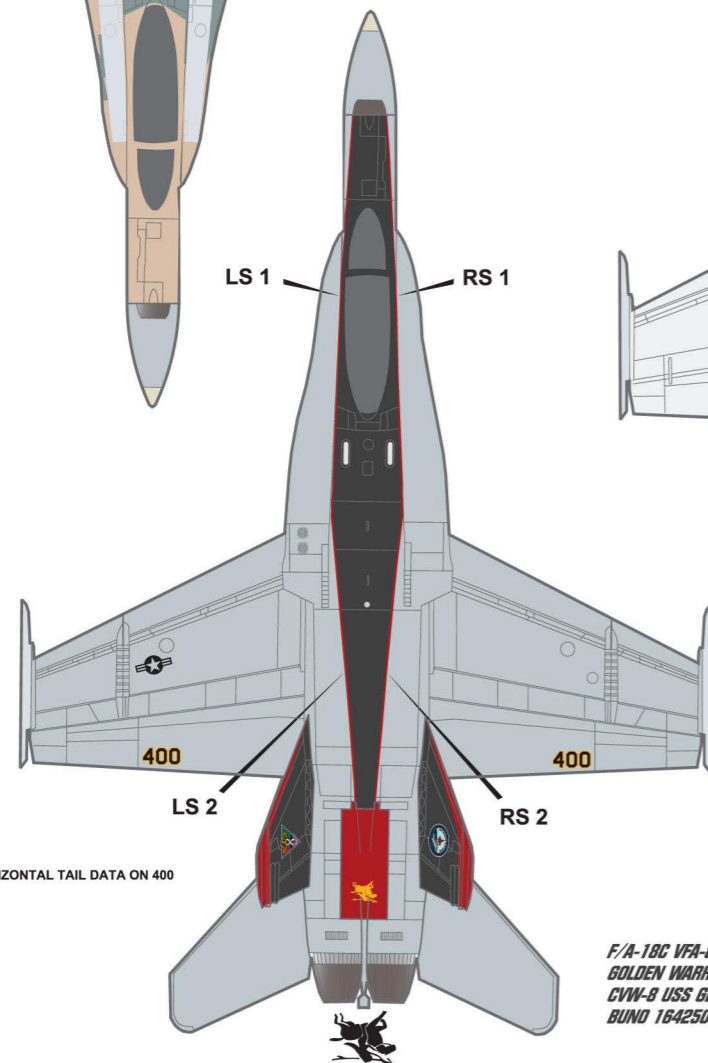
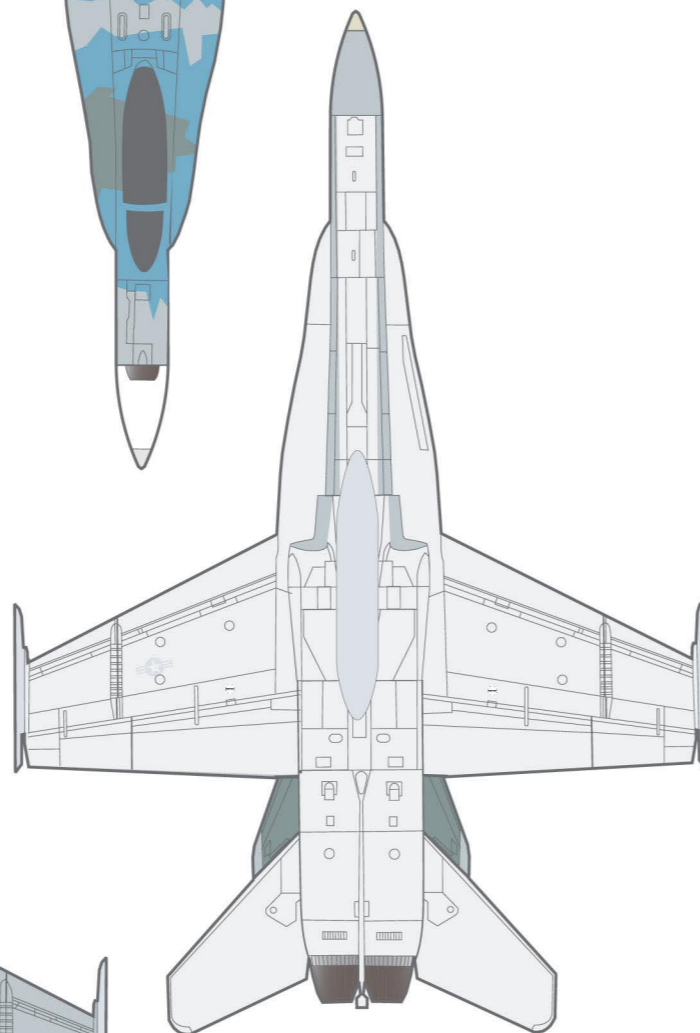
F/A-18C NSAWC
"SUKOI BLUE"
BUNO 163754 2009



33 HAD NO STENCILING ON IT



NO NATIONAL INSIGNIA UNDER THE WING
20 HAD FULL STENCILING ON IT



NO HORIZONTAL TAIL DATA ON 400

F/A-18C VFA-87
GOLDEN WARRIORS
CVN-9 USS GEORGE BUSH
BUNO 164250 2013

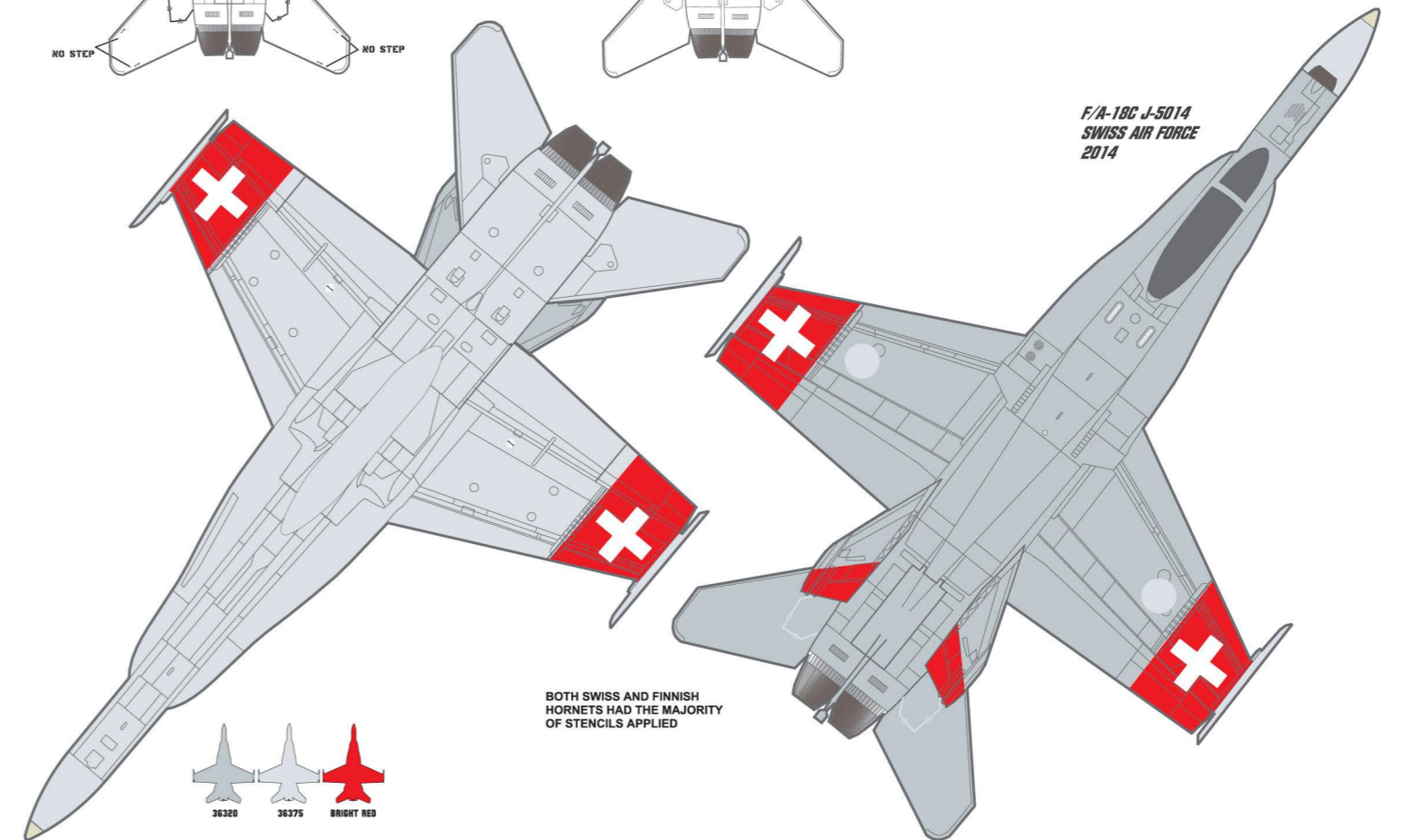
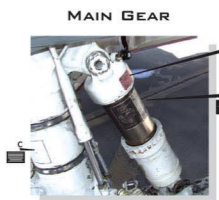
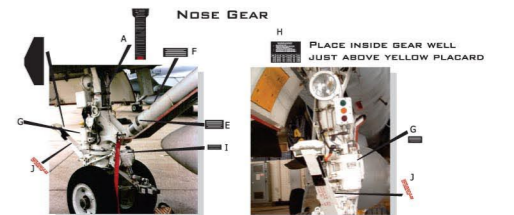
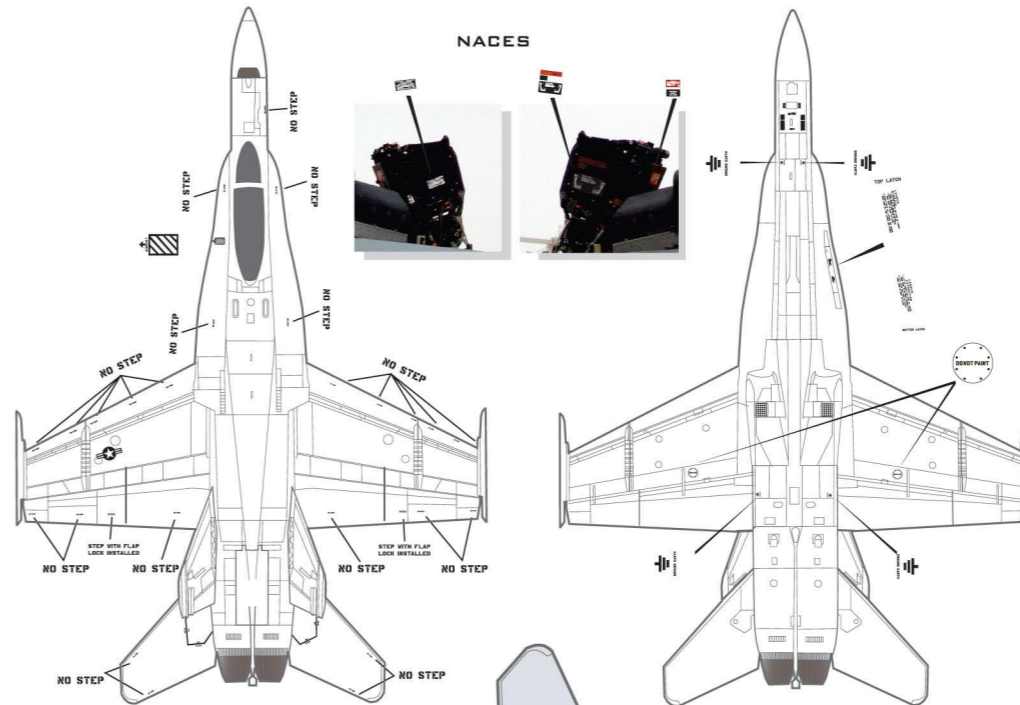
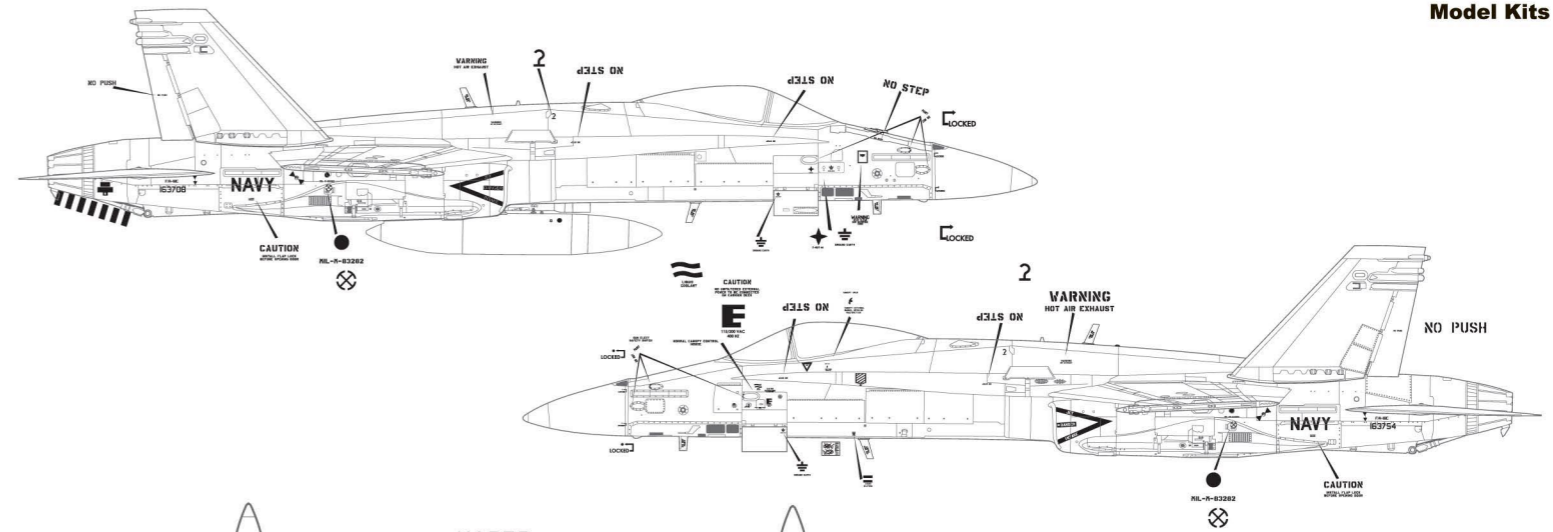


400 HAD LIMITED STENCILING IN BLACK



ARTWORK DESIGNED BY FIGHTERTOWN DECALS

F/A-18A/C HORNET DATA STENCIL GUIDE



F/A-18C J-5014
SWISS AIR FORCE
2014

BOTH SWISS AND FINNISH
HORNETS HAD THE MAJORITY
OF STENCILS APPLIED

