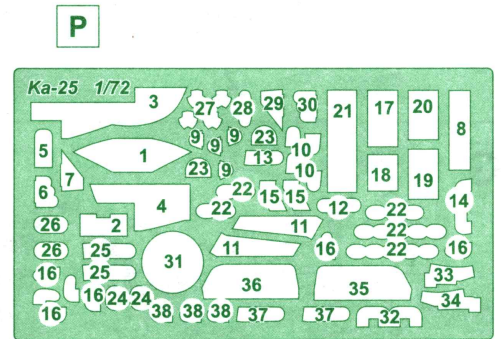
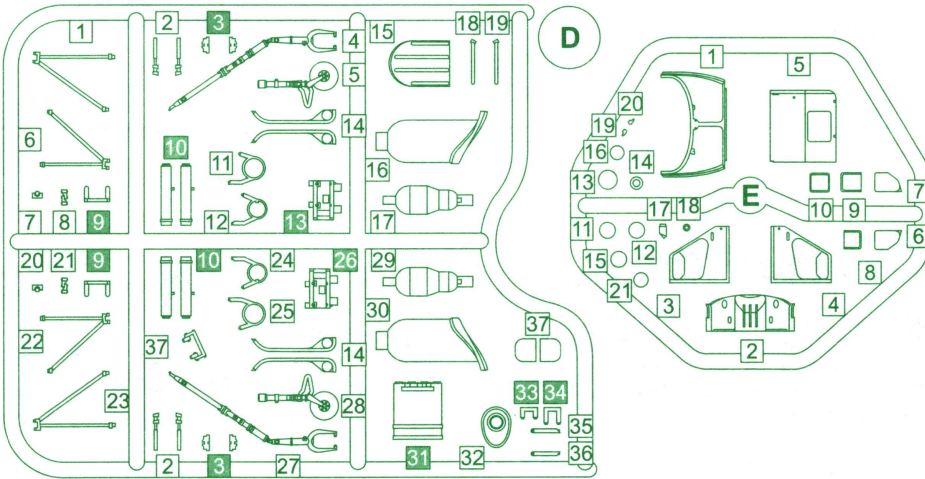
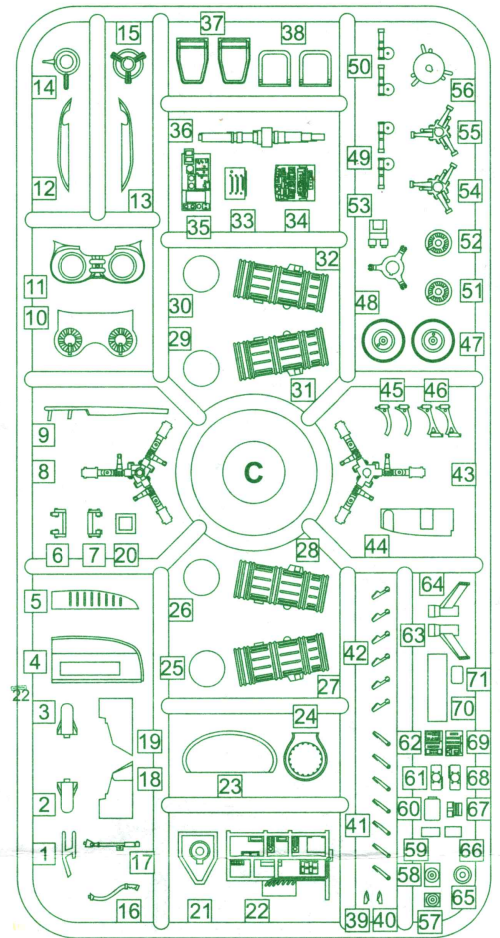
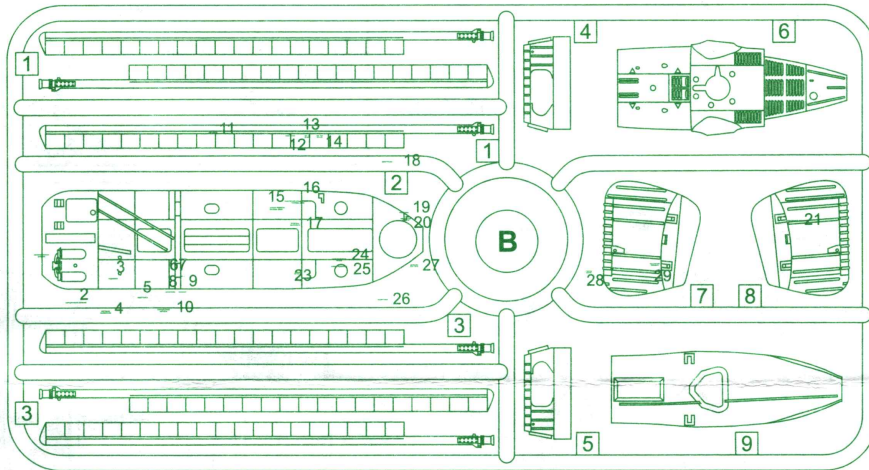
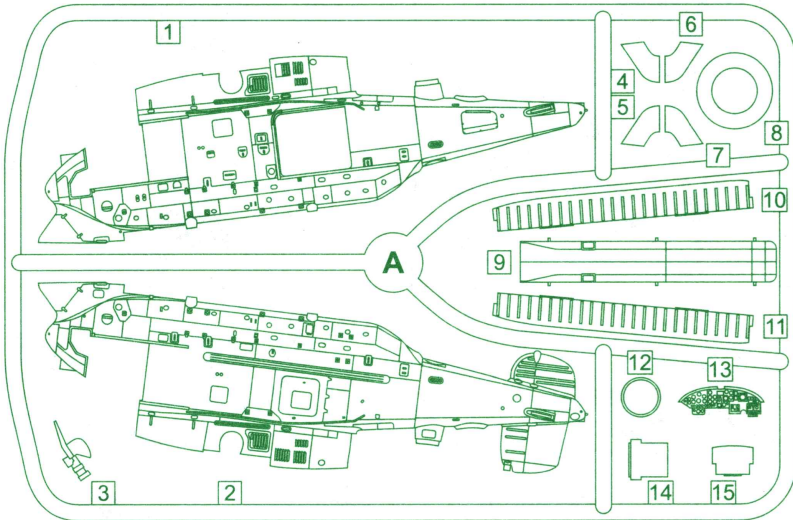
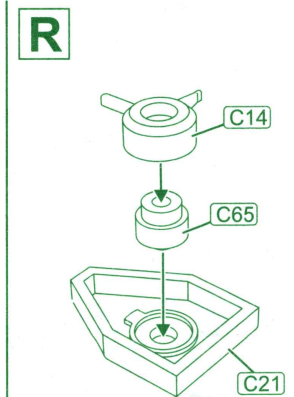
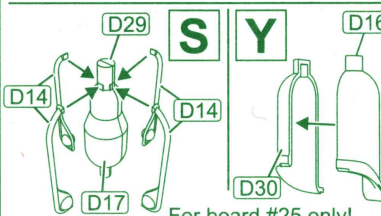
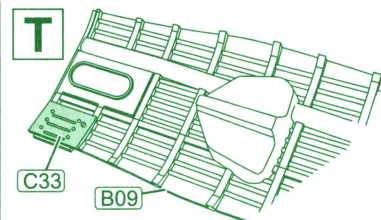
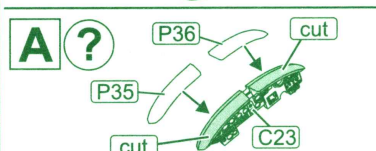
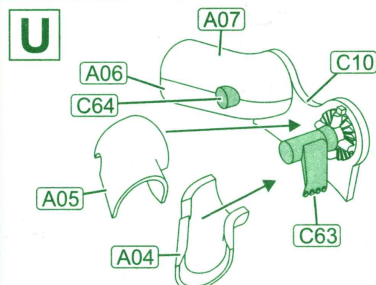
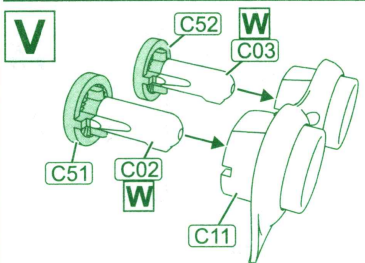
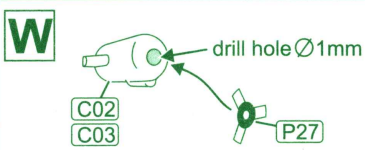


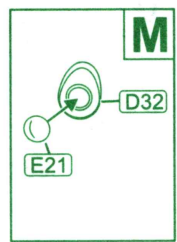
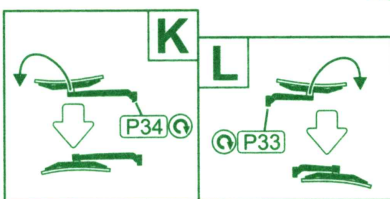
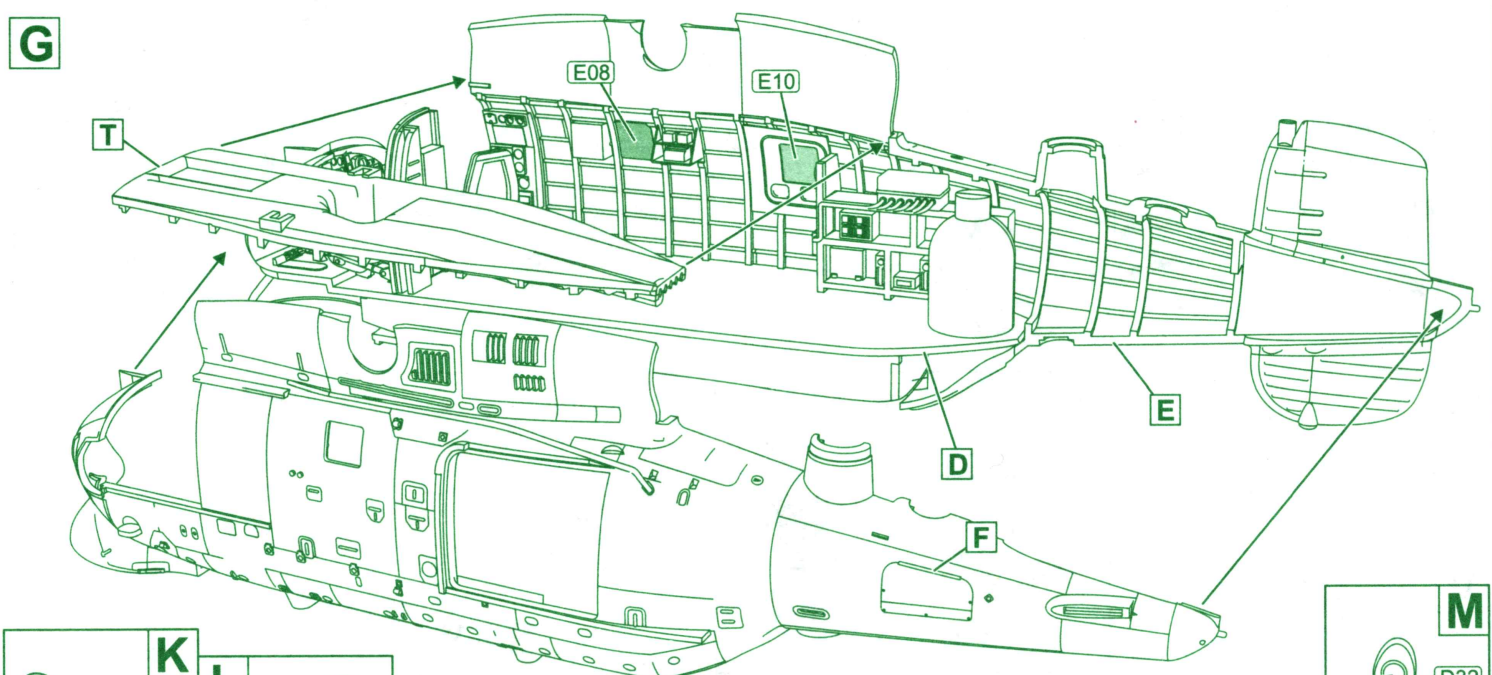
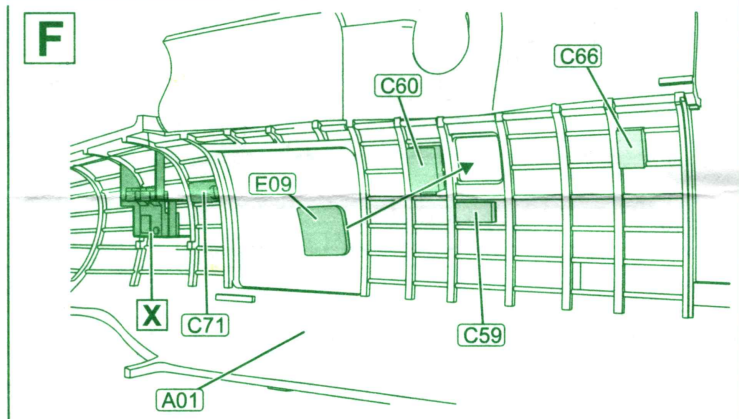
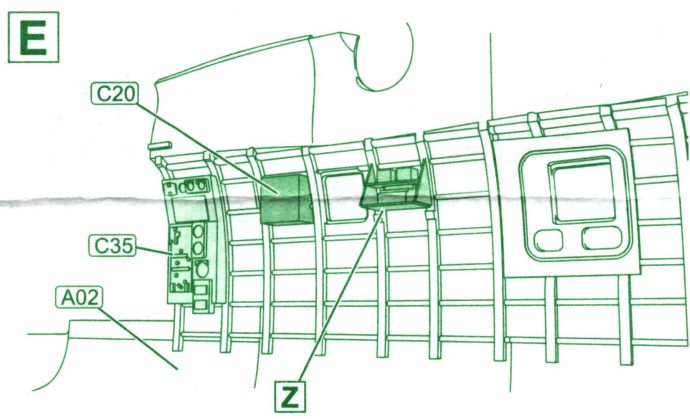
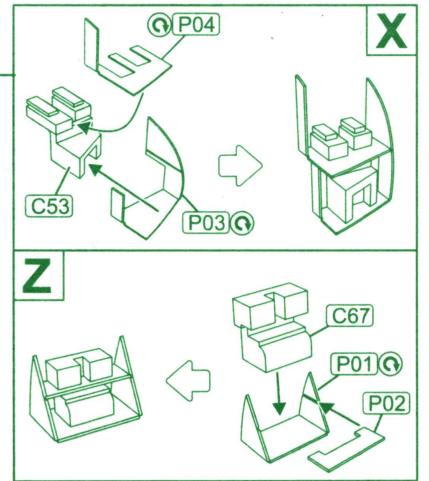
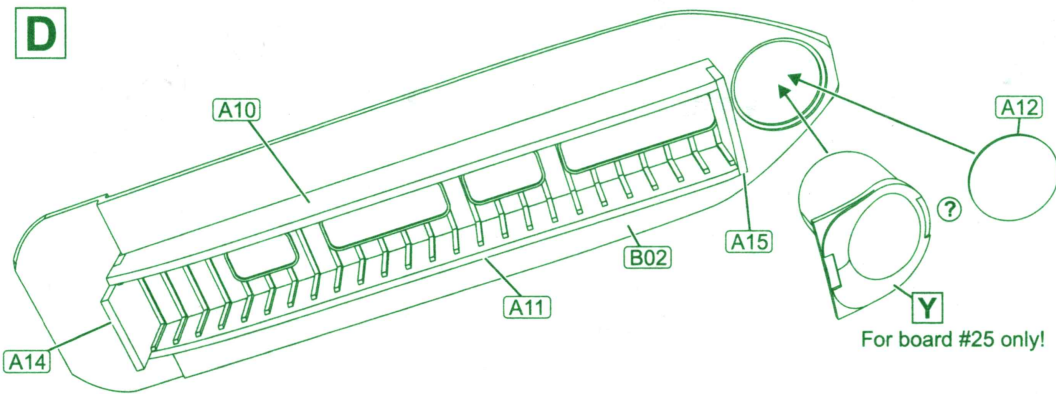
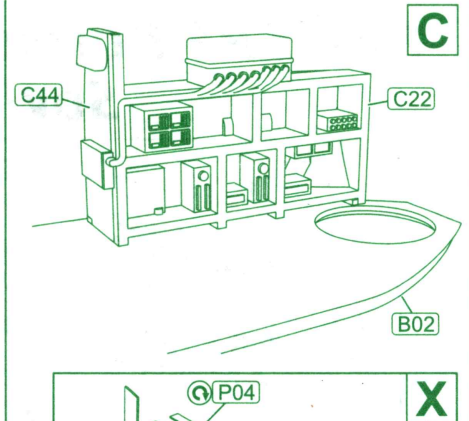
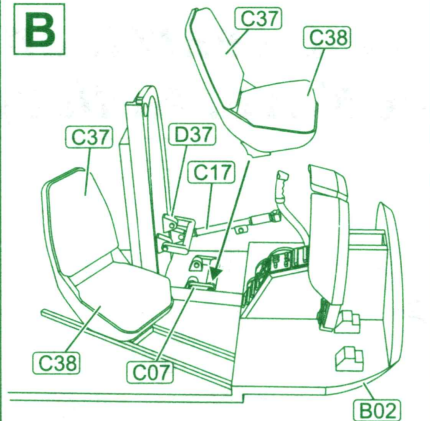
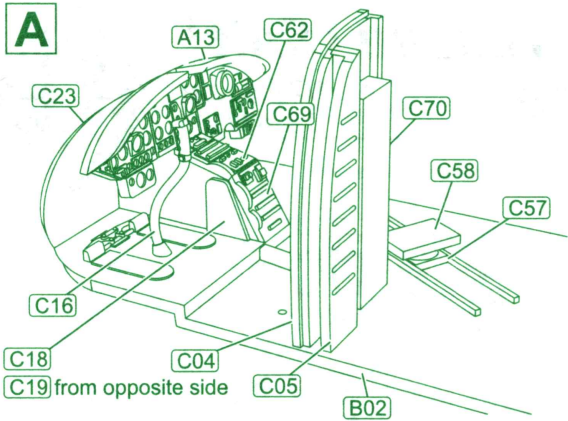
Ka-25PS Hormone-C search and rescue (SAR) Soviet Naval Helicopter

1/72 scale
Cat. #72307

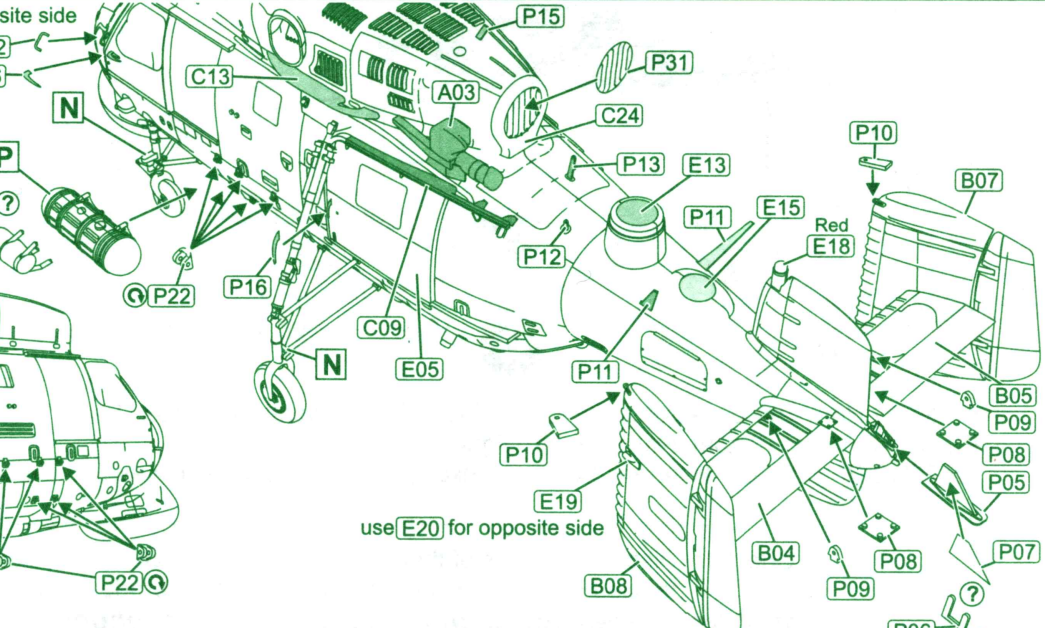
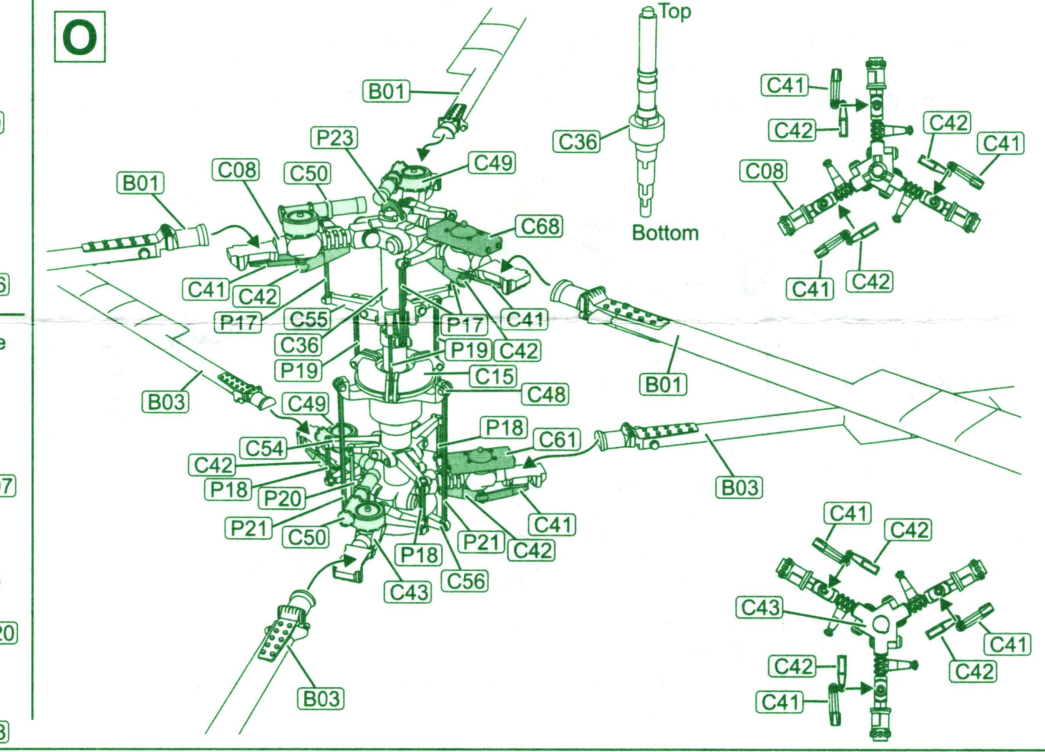
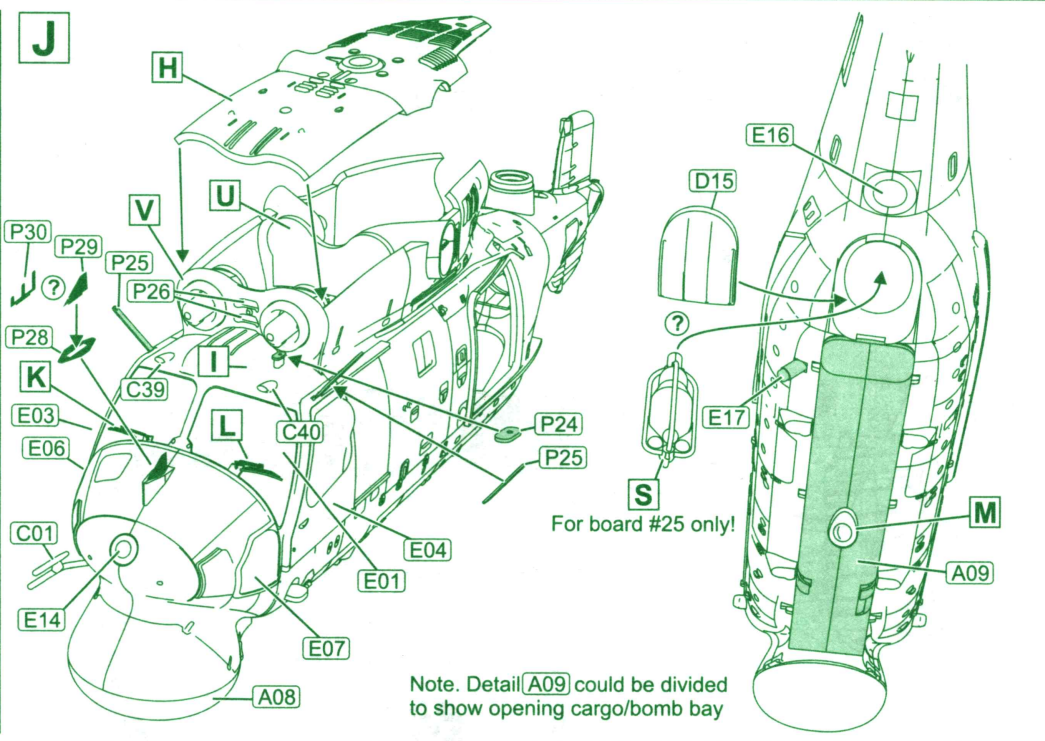
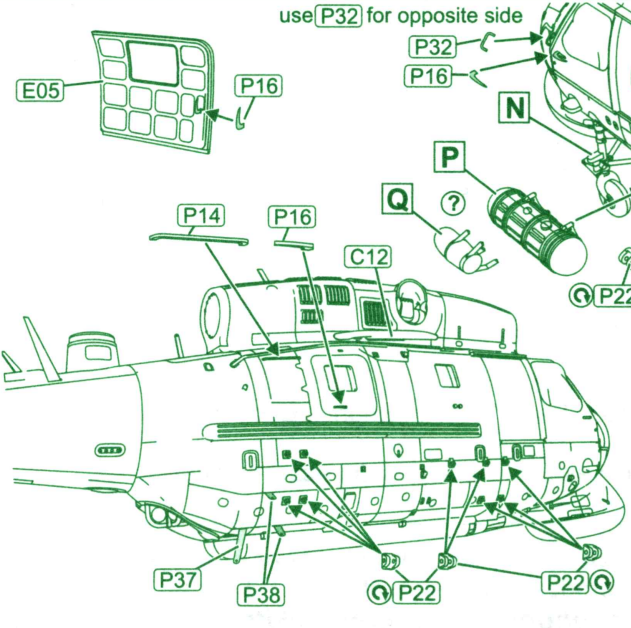
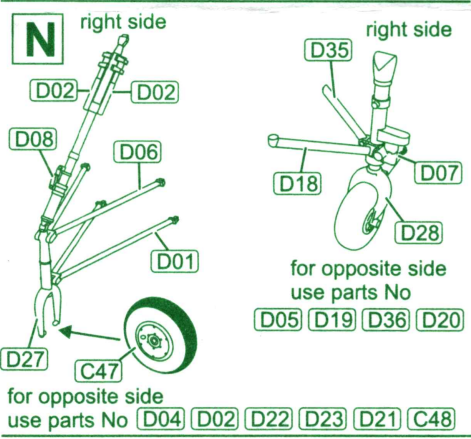
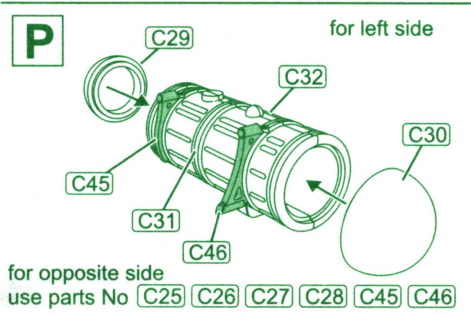
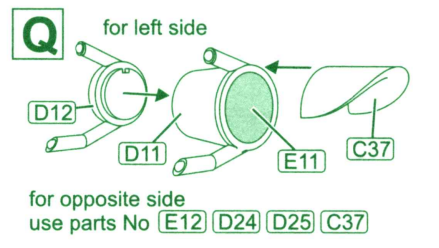
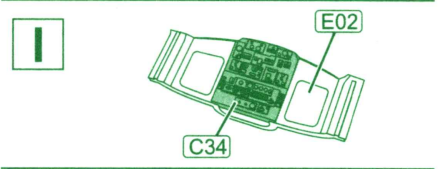
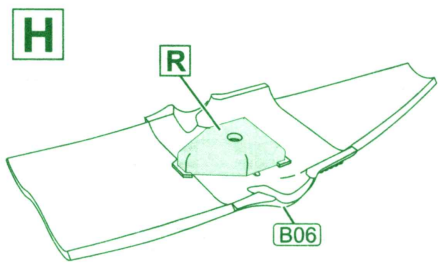


- 8 don't use
- ⊙ bend
- ⊙ option or variant

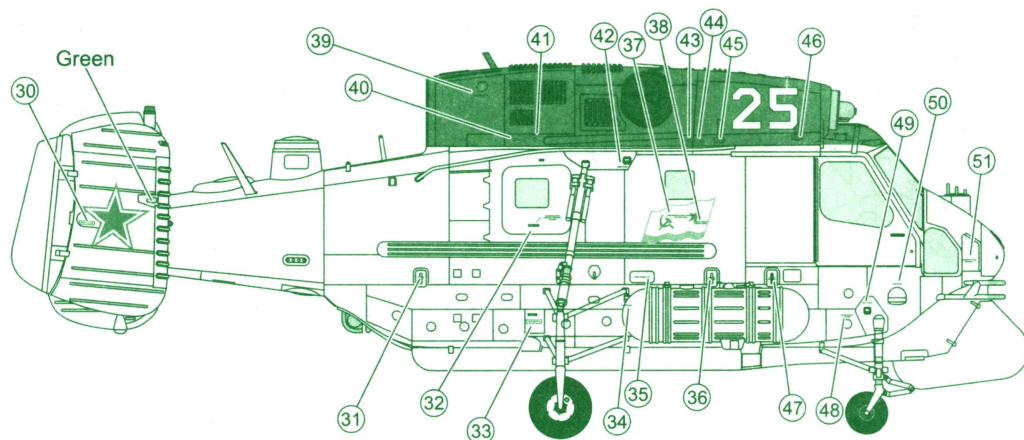
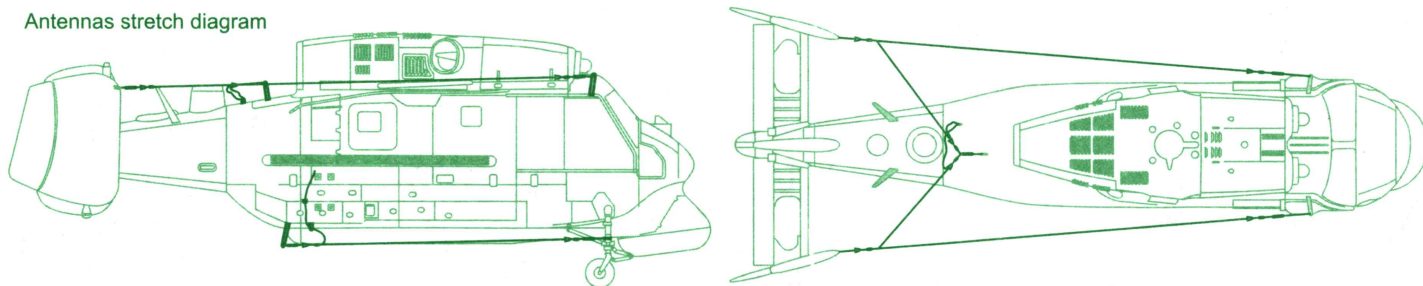




Interior color is blue-grey (Close to FS14516)

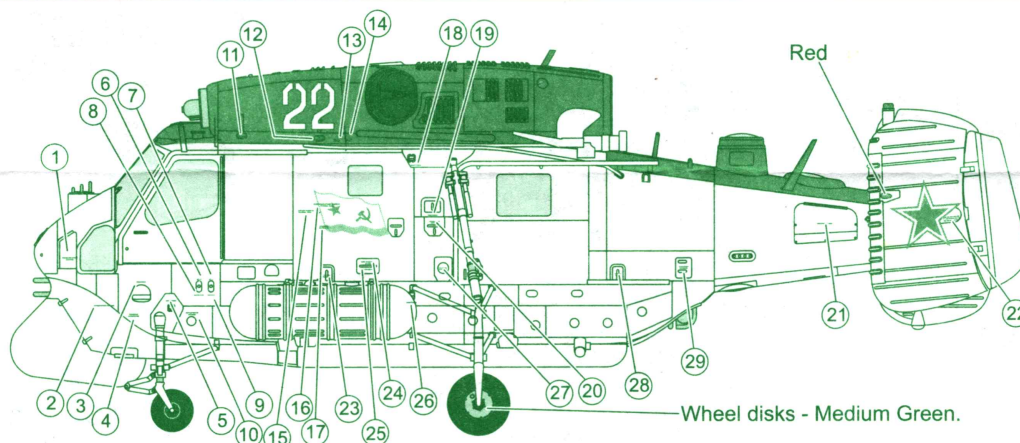


Antennas stretch diagram



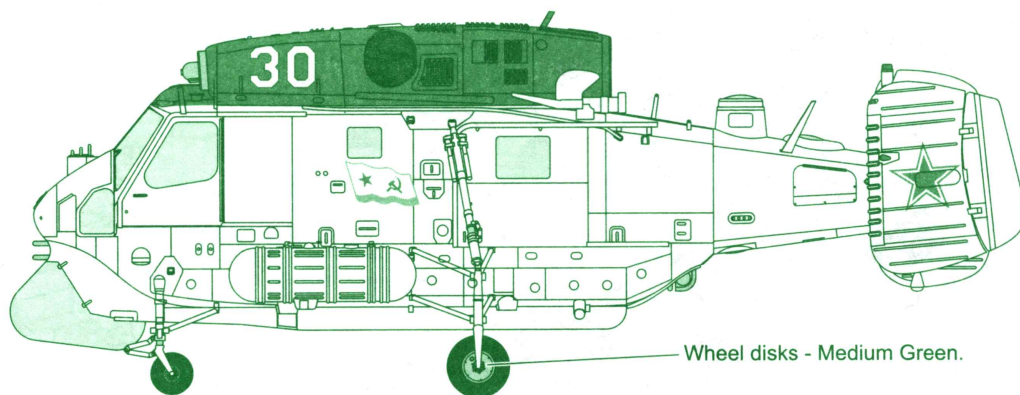
Ka-25PS Hormone-C search and rescue (SAR) Soviet Naval Helicopter (converted from PL) , Heavy Cruiser "Minsk", Summer 1979. Bright red top (Close to FS11310), White bottom.

Ка-25ПС (переделан из Ка-25ПЛ). ТАКР «Минск». Лето 1979. Ярко-красный верх и белый низ.



Ka-25PS Hormone-C search and rescue (SAR) Soviet Naval Helicopter. Mid 1970-th. Bright red top and tail (Close to FS11310), White bottom.

Ка-25ПС ВМФ СССР. Середина 1970-ых. Ярко-красный верх фюзеляжа и хвостовой балки и белый низ.



Ka-25PS Hormone-C search and rescue (SAR) Soviet Naval Helicopter, Early 1980-th. Bright red top (Close to FS11310), White bottom. Radar cover - light grey.

Ка-25ПС ВМФ СССР. Начало 1980-ых. Ярко-красный верх и белый низ. Крышка радара - светло-серый.

Check for historical photos of this AFV and other vehicles, up to date kit instructions, detailed descriptions of other ACE kits, new products and more at:

<http://www.acemodel.com.ua> or <https://www.facebook.com/acemodelkits/>

1	4	7		13	26	36	46
2	5	8	3	14	27	37	47
	6	9		15	28	38	48
				16	29	39	49
				17	30	40	50
				18	31	41	51
				19	32	42	10
			20	23	33	43	11
			21	24	34	44	12
			22	25	35	45	



72307



22 22
30 30
25 25