

Su-33



Su-33 Flanker D

The Su-33 Flanker-D is an all-weather carrier-based twin-engine air superiority fighter designed by Sukhoi. It is a derivative of the Su-27 and was initially known as the Su-27K. First used in operations in 1995 aboard the carrier Admiral Kuznetsov, the fighter officially entered service in August 1998. Following the break-up of the Soviet Union and the subsequent downsizing of the Russian Navy, only 24 aircraft were produced.

Compared with the Su-27, the Su-33 has a strengthened undercarriage and structure, folding wings and stabilators, all for carrier operations. The wings are larger than on land-based aircraft for increased lift. The Su-33 has upgraded engines and a twin nose wheel, and is air refuelable.

The Su-33 carries guided missiles such as the R-73 and R-27E on twelve hardpoints, supplemented by the 150-round 30 mm GSh-30-1. It can carry an assortment of unguided rockets, bombs and cluster bombs for secondary air-to-ground missions. The aircraft can be used in both night and day operations at sea. The radar used, "Slot Back", has been speculated to have poor multi-target tracking, making the Su-33 reliant on other radar platforms and airborne warning and control system (AWACS) aircraft like the Kamov Ka-31 early-warning helicopter. The R-27EM missiles have the capability to intercept anti-ship missiles. The infra-red search and track (IRST) system is placed to provide better downward visibility.

Su-33はロシアのスホーイ社のSu-27を元に開発された、ロシア海軍の空母搭載用戦闘機である。Su-27Kとして開発が進められたこの全天候戦闘機は、10年以上の開発期間を経て、1995年には空母アドミラル・クズネツォフに搭載され試験航海を完了し、Su-33として制式採用されたのは1998年のことである。生産はロシアの経済状況から24機に止まってしまった。

Su-27と比べ、空母での過酷な運用を強いられるSu-33はその構造や降着装置が強化されており、また主翼だけでなく尾翼も折り畳めるようになっている。カタパルトを使わないロシアの空母からの発進のために必要な揚力の確保などの目的で主翼前方にカナード翼が設置され、運動性能の向上にもつながっている。前脚のホイールが2つに増え、エンジンも改良されたものを装備している他、空中給油装置も設置されている。パイロットの(艦上での)視野確保のためコックピット前方のIRST(赤外線捜索追尾システム)が右側にオフセットされ、短くなった機体後部のテールブームにアレスティング・フックが装備された。

攻撃力も強化され、固定武装のGSh-30-1 30mm機関砲1門(搭載弾薬150発)の他、Su-27の10から12に増えたハードポイント(パイロン)にはR-27、R-60およびR-73などの対空ミサイル及び無誘導ロケット弾、クラスター爆弾などの対地武装を最大8,000kg(空母運用時は6,500kg)まで搭載できる。敵の対艦ミサイルを遊撃可能なR-27EMミサイルを装備できる反面、レーダーの同時多目標追尾機能が不足していることや精密誘導兵器の運用ができないという弱点を持つ。

<製品の特徴>

スーパーディテールのコックピット

スーパーディテールのエンジンノズル

降着装置収納部のディテールも強化

主翼・尾翼折り畳み選択可能

R-73, R-27E, R-27EMなどのミサイルは一体成型パーツ

CAUTION

- * Read carefully and fully understand the instructions before commencing assembly.
- * Keep out of reach of children. Children must not be allowed to put any parts in their mouths, or pull plastic bag over their heads.

* When using adhesives and paints, please make sure not to use them in closed room or near the fire.

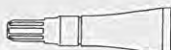
* When assembling this kit, tools including knives are used. Extra care should be taken to avoid injury.

WARNING: CONTAIN SMALL PARTS NOT FOR CHILDREN UNDER 14 YEARS OF AGE.



TOOLS RECOMMENDED

Cement



Side Cutter



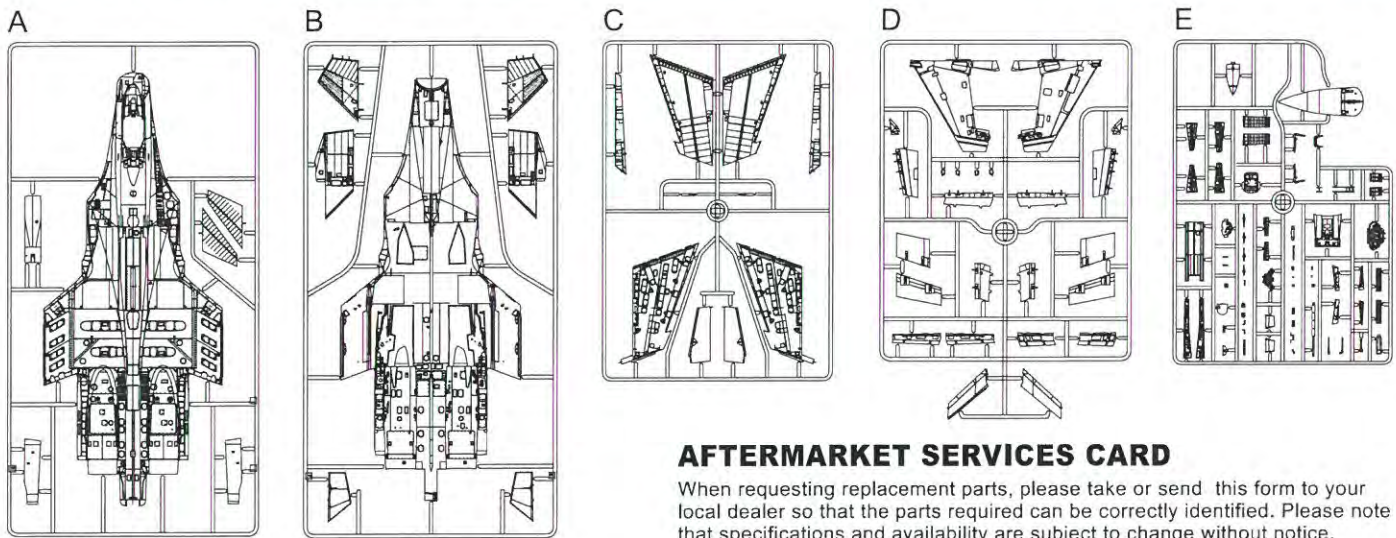
Modeling Knife



Tweezers

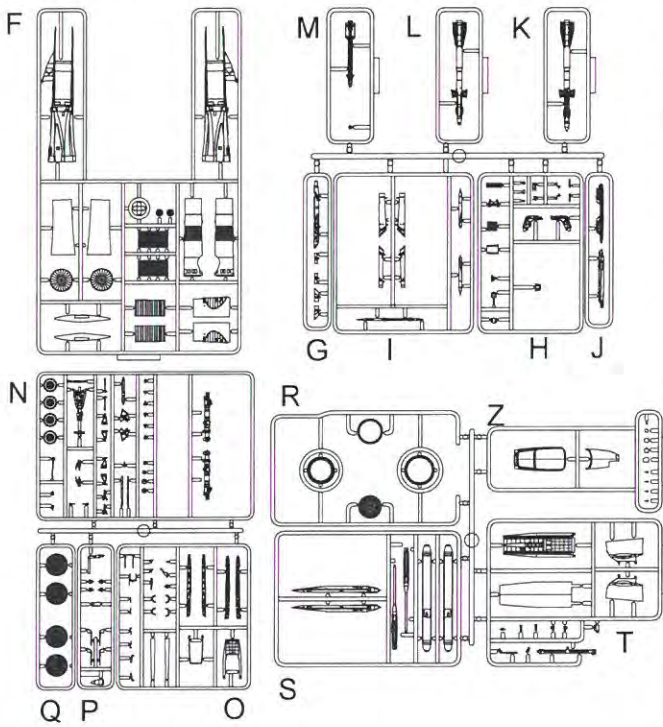


1/48 SCALE AIRCRAFT SERIES NO: K48062



AFTERMARKET SERVICES CARD

When requesting replacement parts, please take or send this form to your local dealer so that the parts required can be correctly identified. Please note that specifications and availability are subject to change without notice. or visit <http://www.kineticmodel.com> for latest information. For more information, please contact services@kineticmodel.com

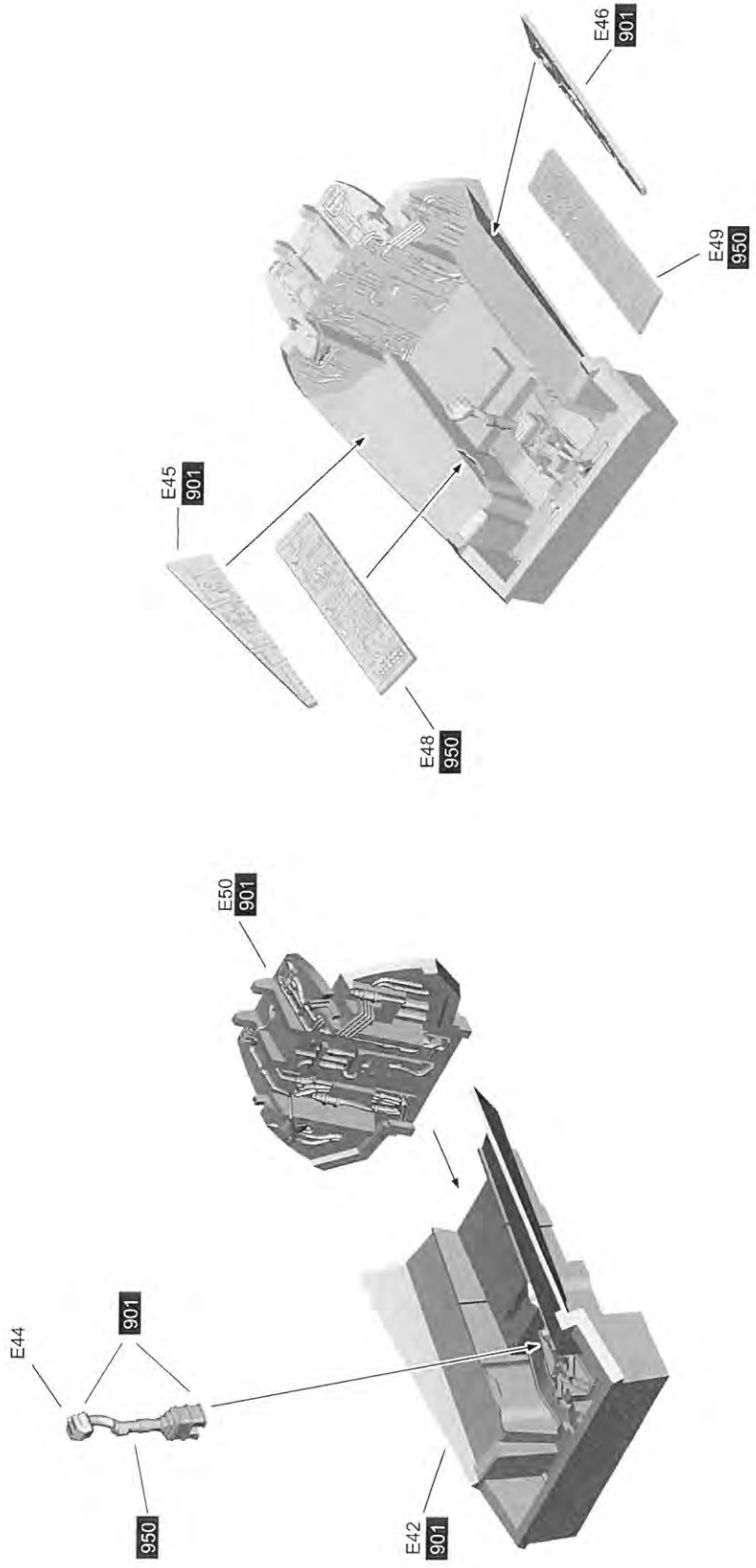


Parts Code	Item	K48062	
00-095-001	A	1/48 SU-33 UPPER FUELSAGE (A)	1
00-095-002	B	1/48 SU-33 LOWER FUELSAGE (B)	1
00-095-003	C	1/48 SU-33 OUTER WING (C)	1
00-095-004	D	1/48 SU-33 VERTICAL TAIL (D)	1
00-095-005	E	1/48 SU-33 COCKPIT (E)	1
00-095-006	F	1/48 SU-33 INTAKE (F)	1
00-095-007	G	1/48 SU-33 LAUNCH RAIL #1 (G)	2
00-095-008	H	1/48 SU-33 EJECTION SEAT (H)	2
00-095-009	I	1/48 SU-33 PYLON (I)	2
00-095-010	J	1/48 SU-33 LAUNCH RAIL #2 (J)	2
00-095-011	K	1/48 SU-33 MISSILE#1 (K)	2
00-095-012	L	1/48 SU-33 MISSILE #2 (L)	2
00-095-013	M	1/48 SU-33 MISSILE #3 (M)	2
00-095-014	N	1/48 SU-33 LANDING GEAR (N)	1
00-095-015	O	1/48 SU-33 FOLD WING PARTS (O)	1
00-095-016	P	1/48 SU-33 PILOT TUBE (P)	1
00-095-017	Q	1/48 SU-33 WHEEL (Q)	1
00-095-018	R	1/48 SU-33 ENGINE NOZZLE (R)	2
00-095-019	S	1/48 SU-33 ECM POD (S)	1
00-095-020	T	1/48 SU-33 SPEED BRAKE (T)	1
00-095-021	Z	1/48 SU-33 CANOPY / CLEAR PARTS (Z)	1
01-095-48062	DECAL	Z1/48 SU-33 DECAL	1
03-095-48062	MANUAL	1/48 SU-33	1
06-095-48062	PE	1/48 SU-33	1

PAINT INDEX

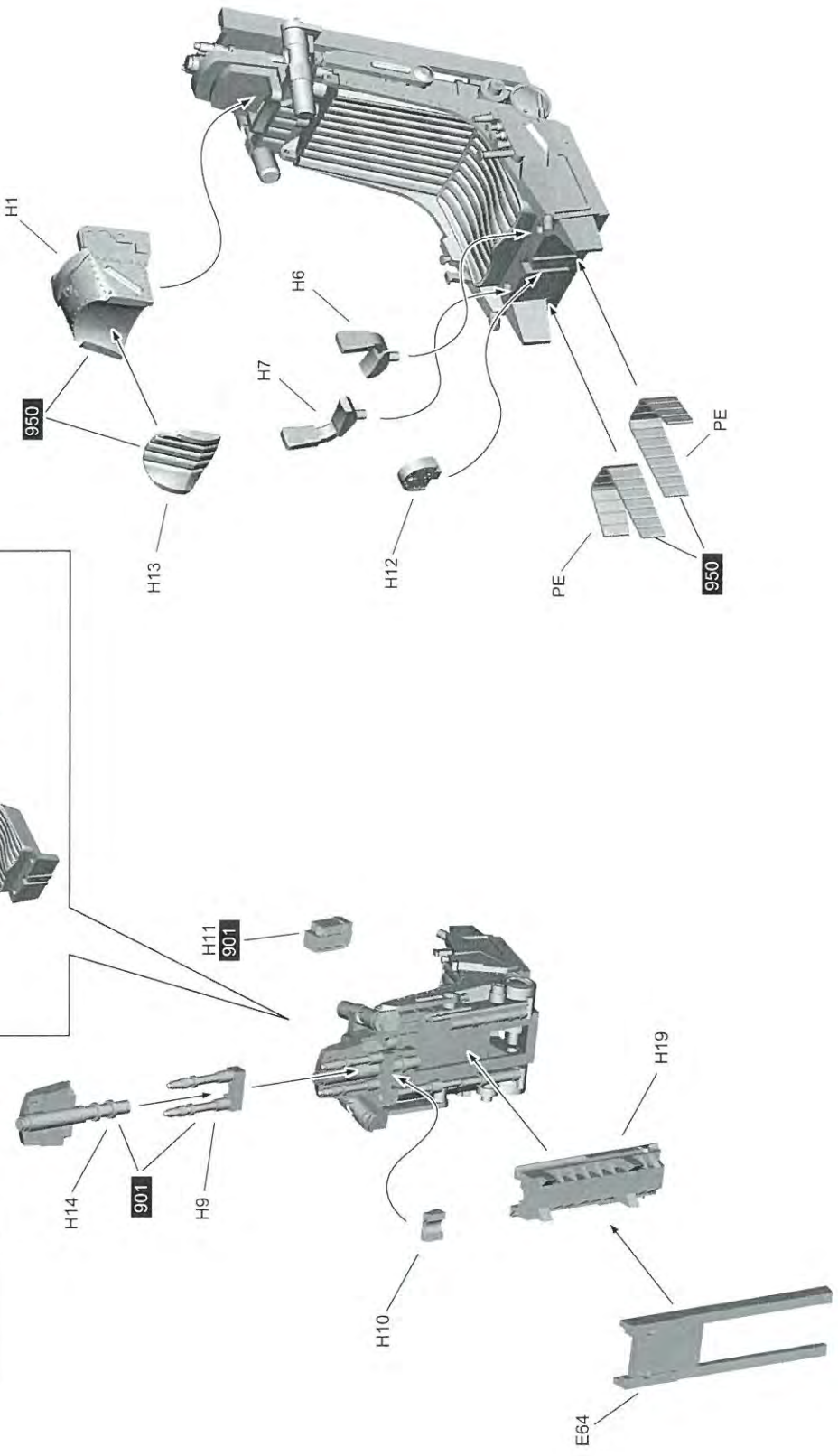
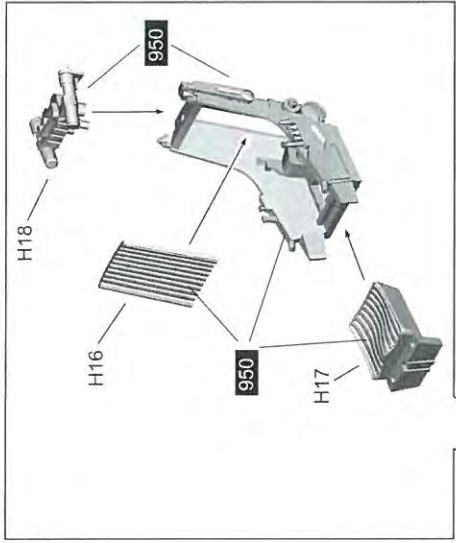
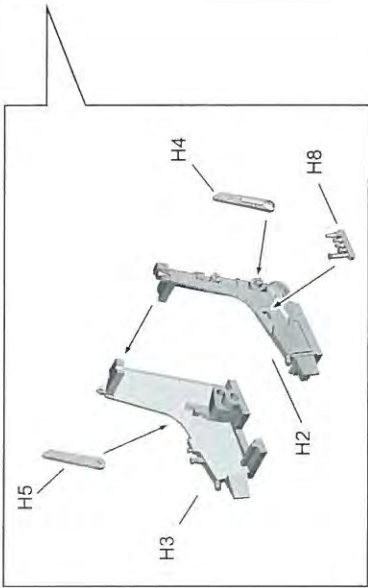
COLOR	VALLEJO COLOR	AMMO MIG	ITALERI ARCYLIC PAINT	GSI CREOS MR. COLOR	HUMBROL ENAMEL/ACRYLIC	TAMIYA ENAMEL	AKAN
FLAT BLACK	70.950	46	4768AP	33	33	XF-18	-
FLAT WHITE	70.951	50	4796AP	62	130	X-2	73146
CLEAR RED	70.934	93	-	47	1321	X-27	73164
CLEAR GREEN	70.936	92	-	50	1325	X-25	73163
OLIVE DRAB	70.889	926	4728AP	-	155	-	73146
OFF WHITE	70.82	50	-	-	-	-	-
MEDIUM GREY	70.987	-	4746AP	-	145	-	-
SILVER	70.790	195	4678AP	8	-	X-11	-
RED	70.957	49	4714AP	327	153	-	-
GUNMETAL	70.863	45	4681AP	-	53	X-10	-
Pale Blue	-	-	4778AP	C115	-	-	-
Blue	-	-	-	C323+C30	-	-	-
Dark Blue-Grey	-	-	-	C72	-	-	73163
SEMI-GLOSS BLACK	70.950	32	-	92	-	X-18	-
AIR SUPERIORITY BLUE	70.901	-	-	74	-	-	73164
RLM65 LIGHT BLUE	71.111	-	-	115	-	-	73163
STEEL	70.864	191	-	28	-	-	-
GREEN FS234092	70.894	19	-	302	-	-	-
BURN IRON	-	-	-	61	-	-	-
INTERIOR GREEN	70.833	60	-	27	-	XF-71	-

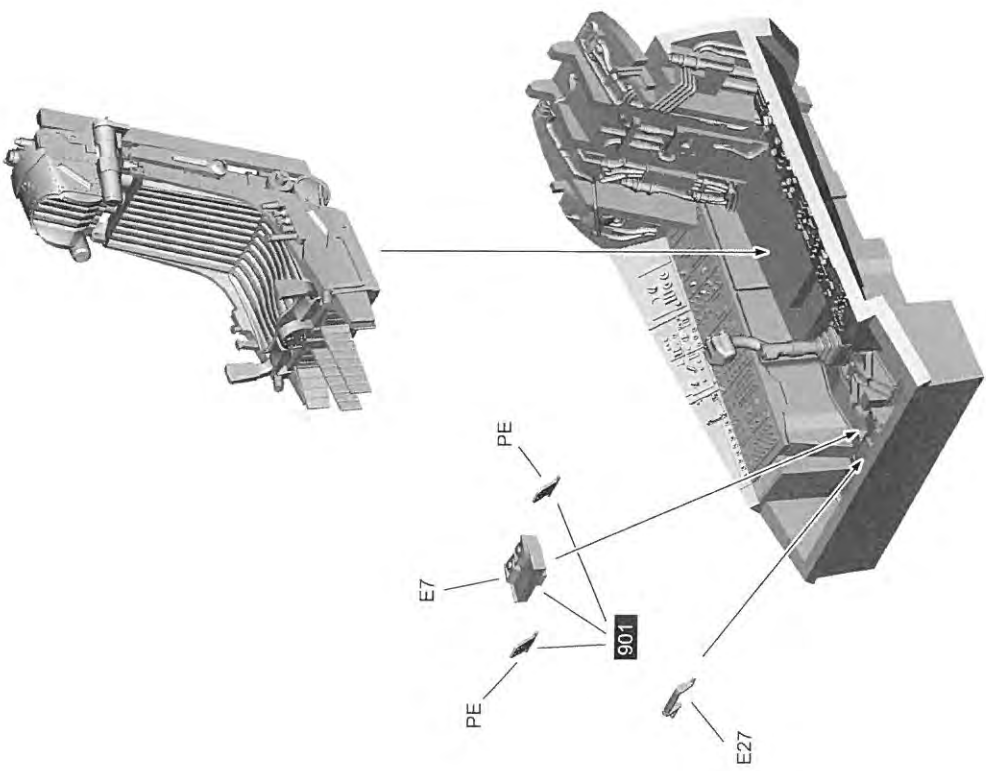
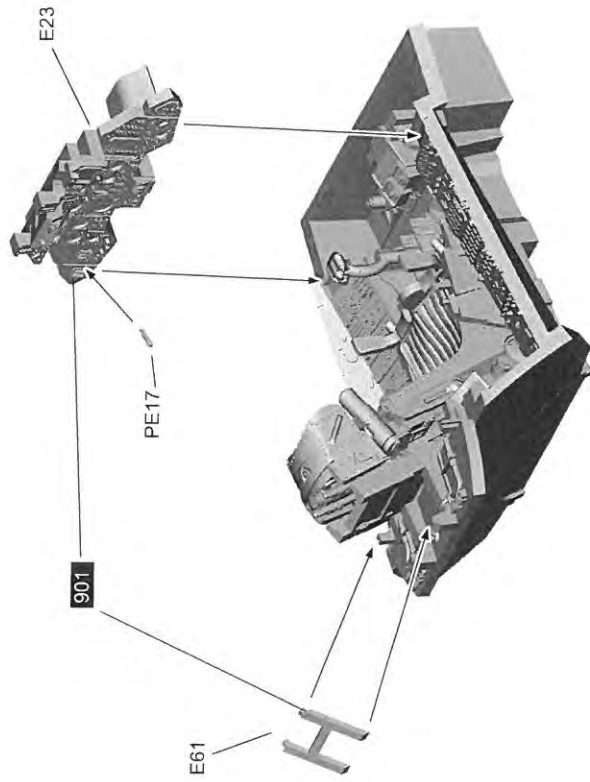
950 denotes Vallejo Model Color



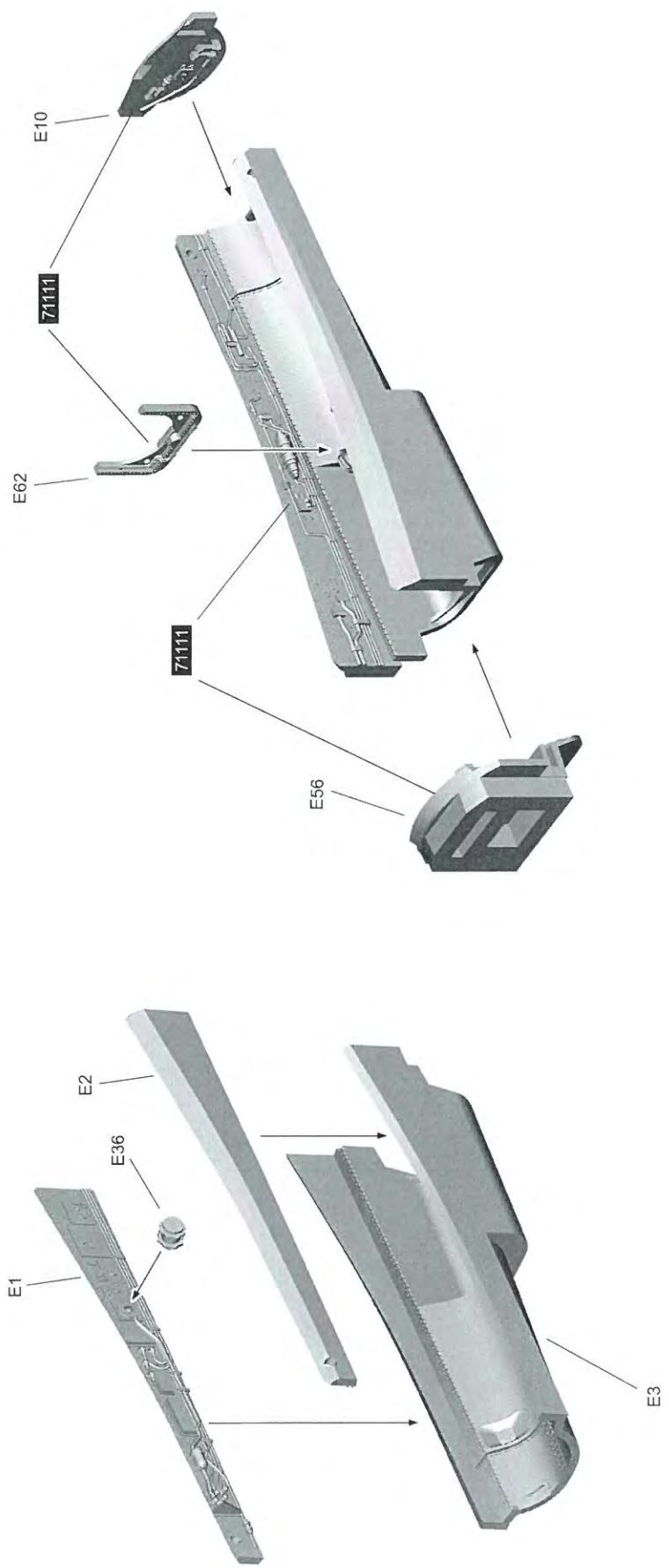
1

2

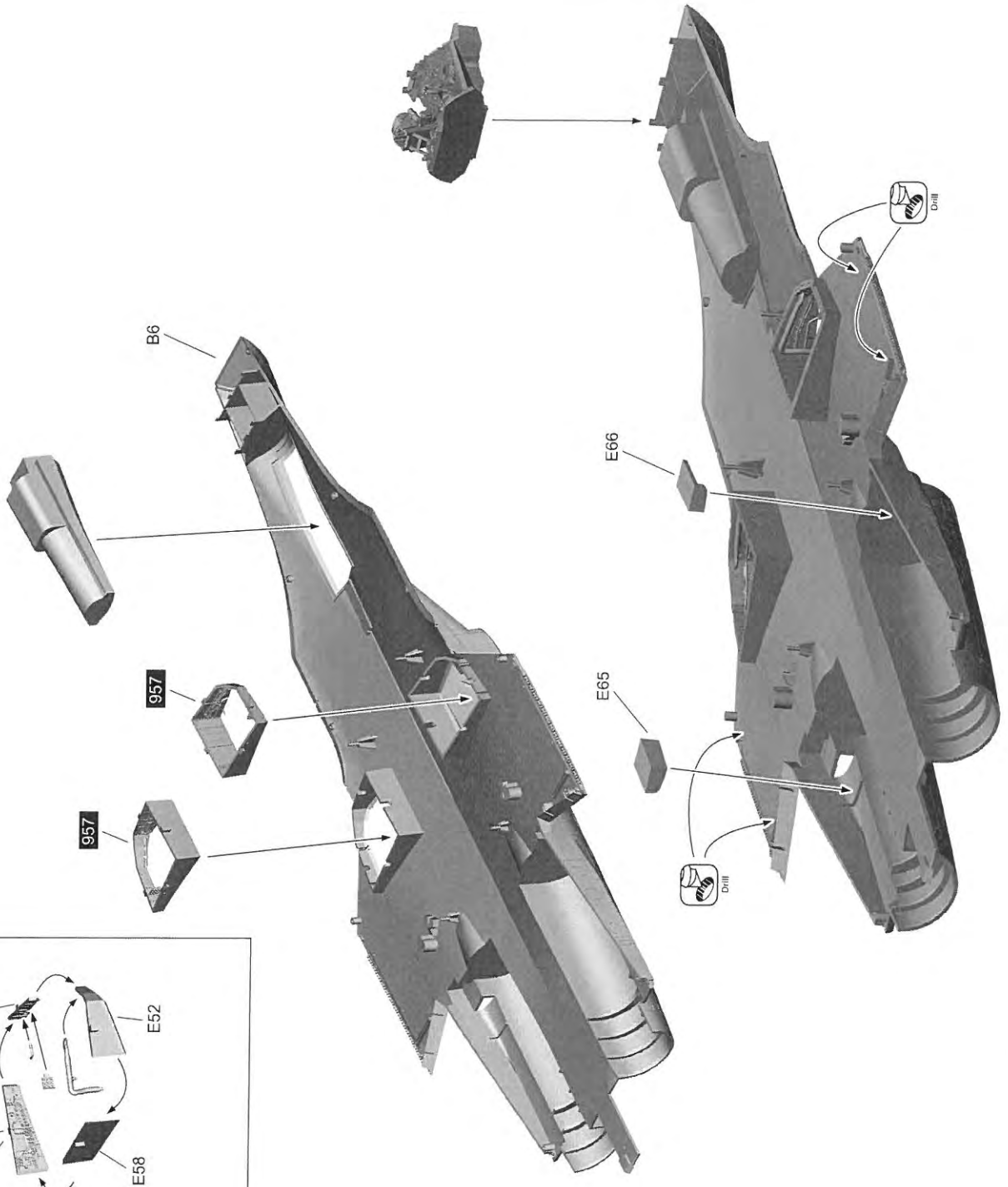
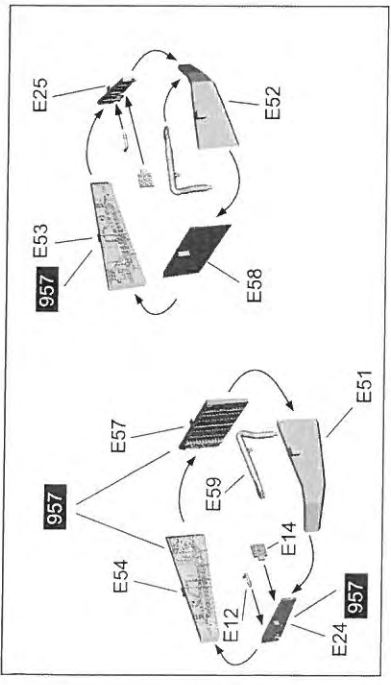


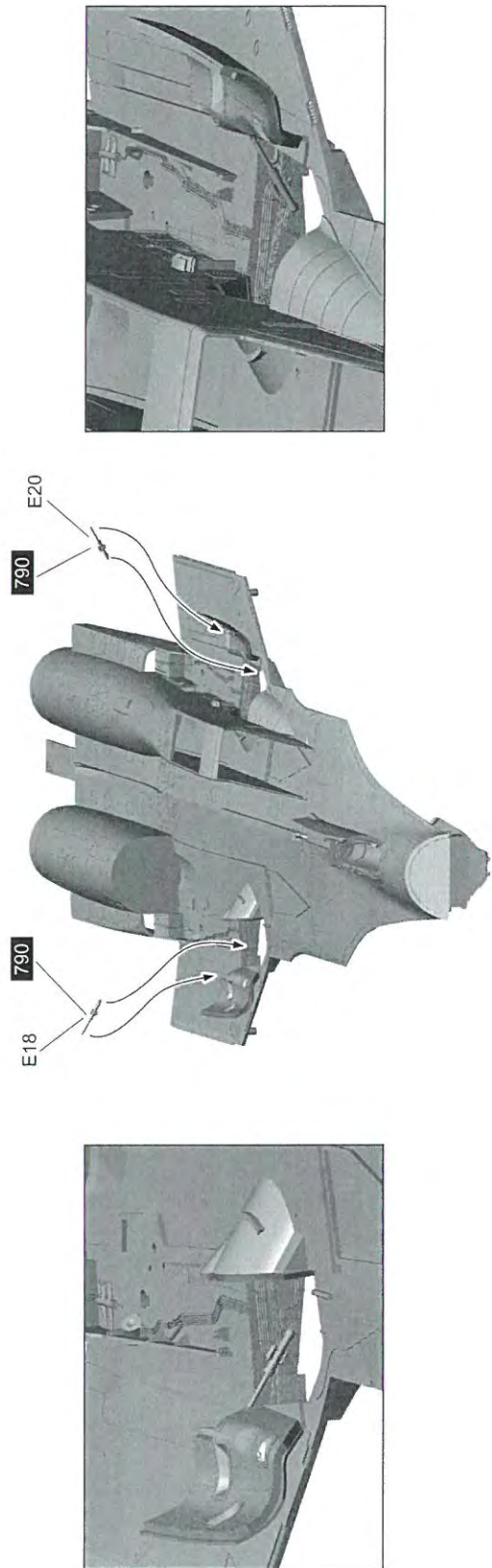
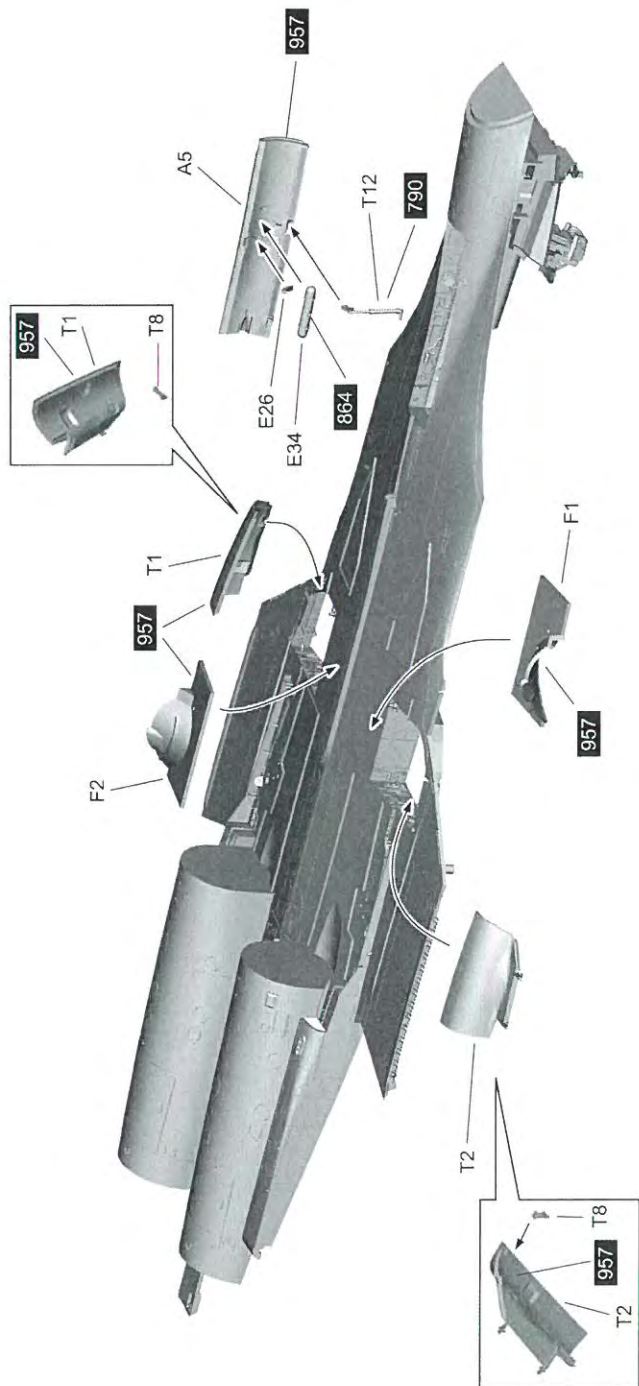


3

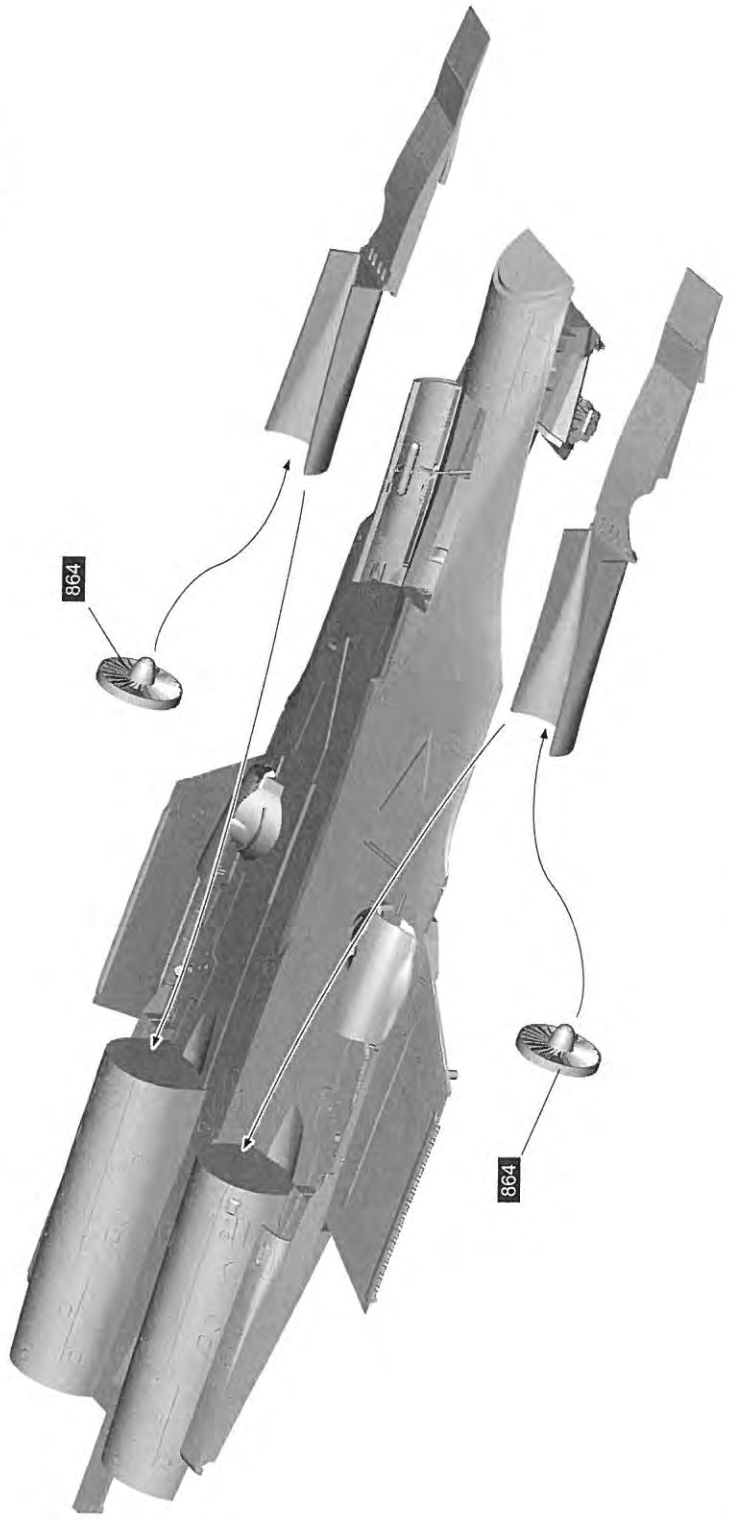
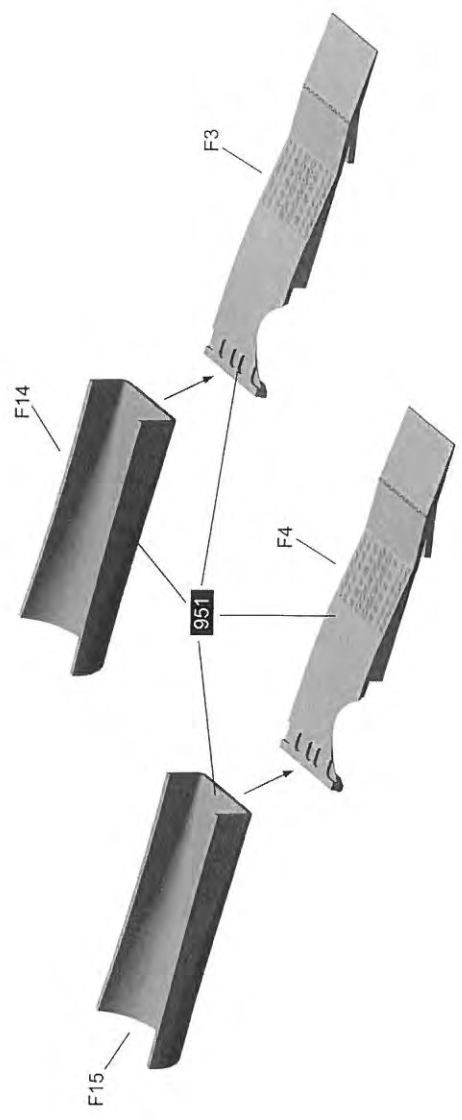
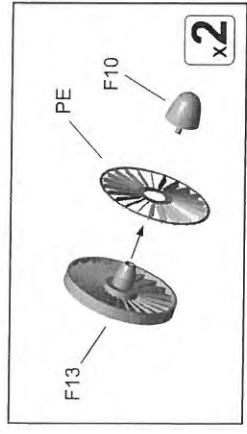


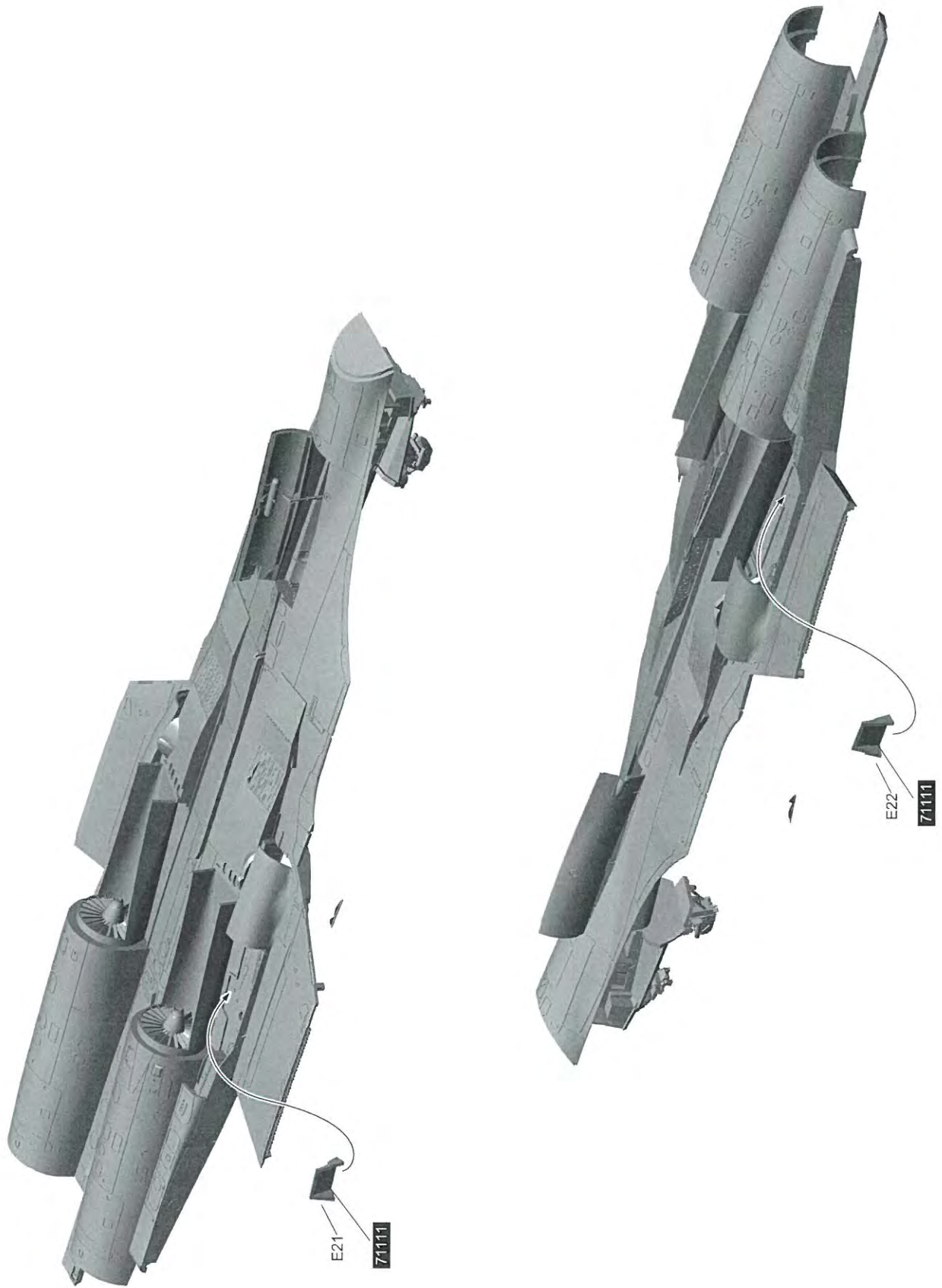
5





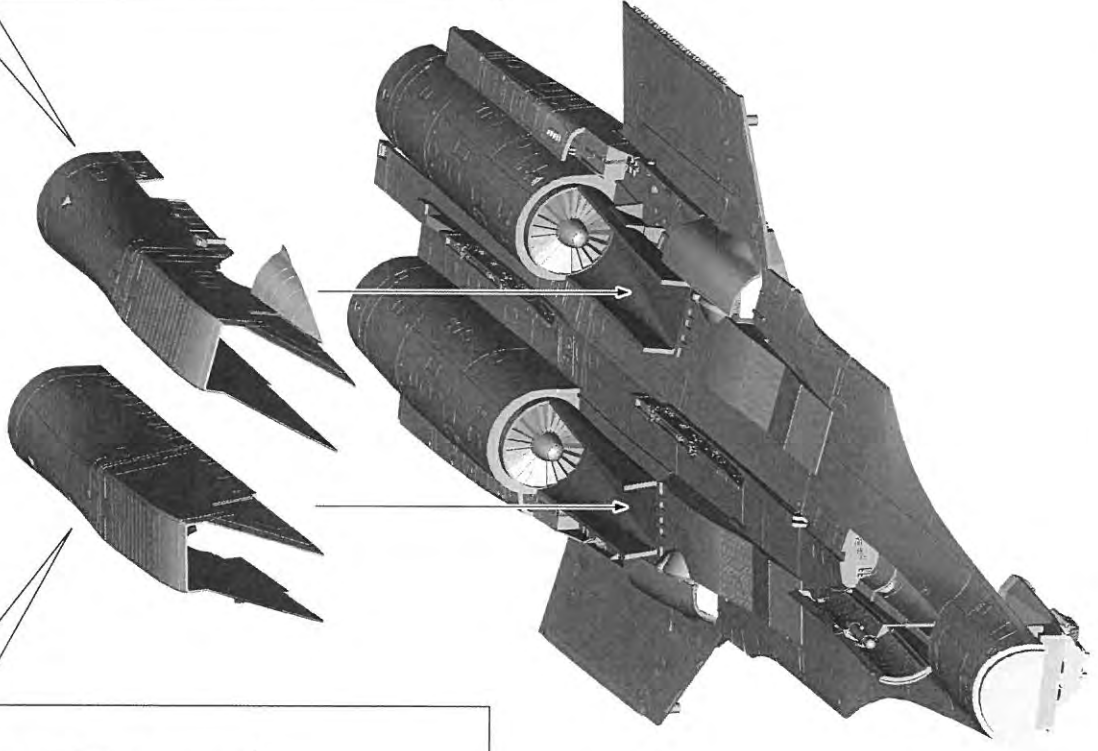
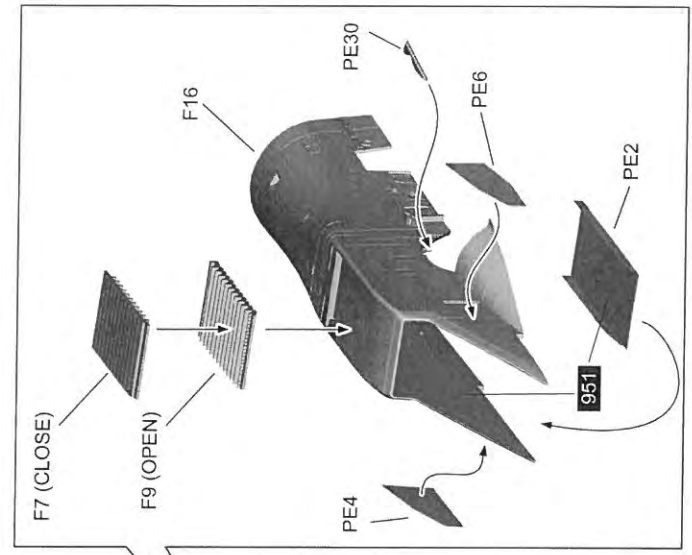
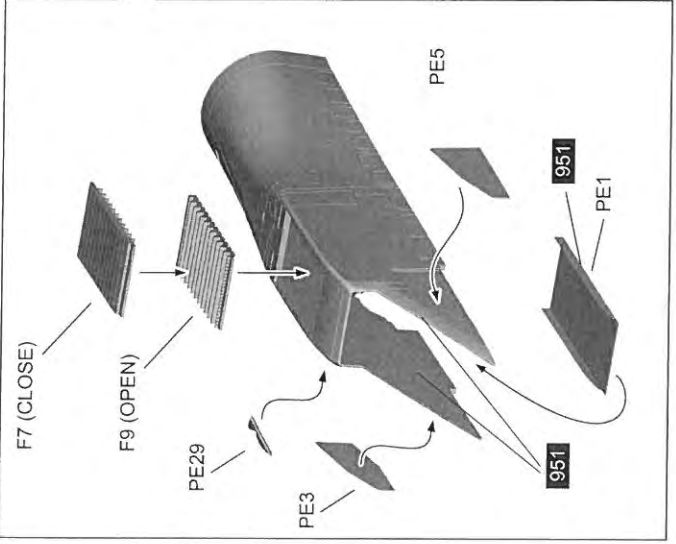
7





8

9



951

N25

F12

O22

O21

E8

O19

951

N25

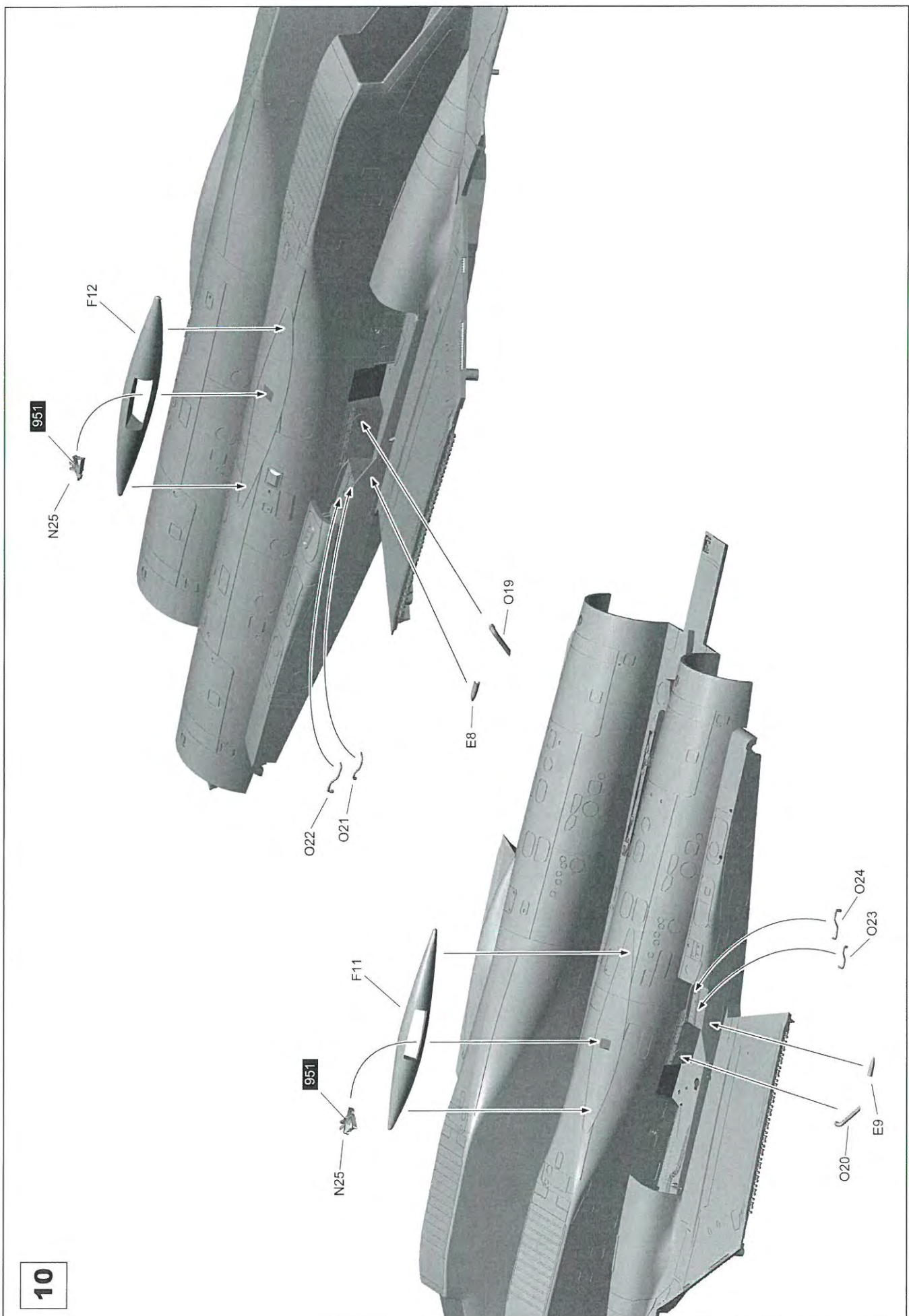
F11

O24

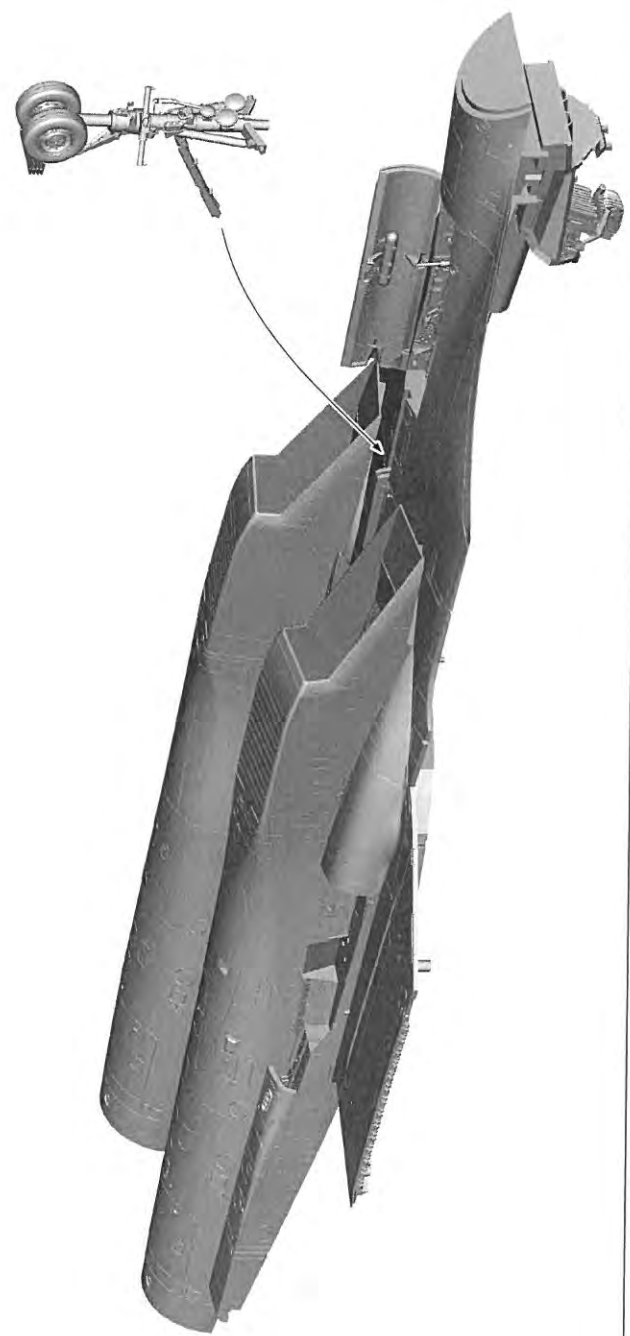
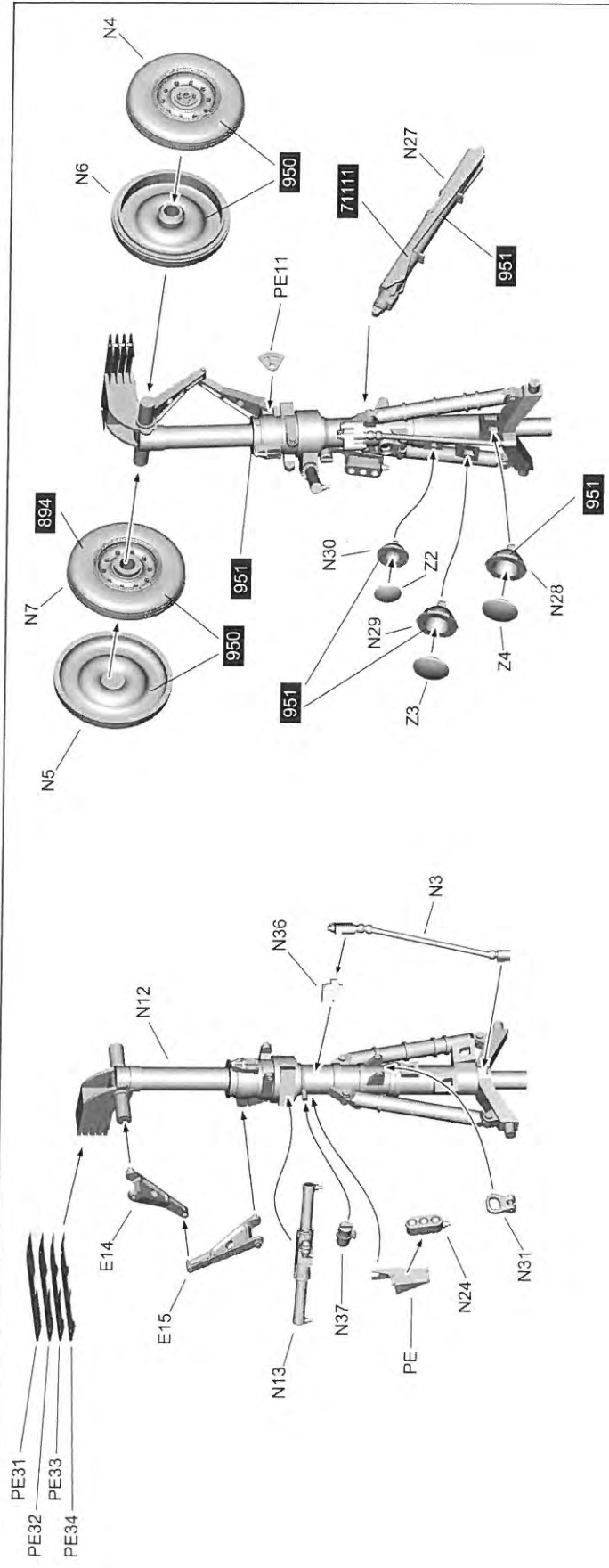
O23

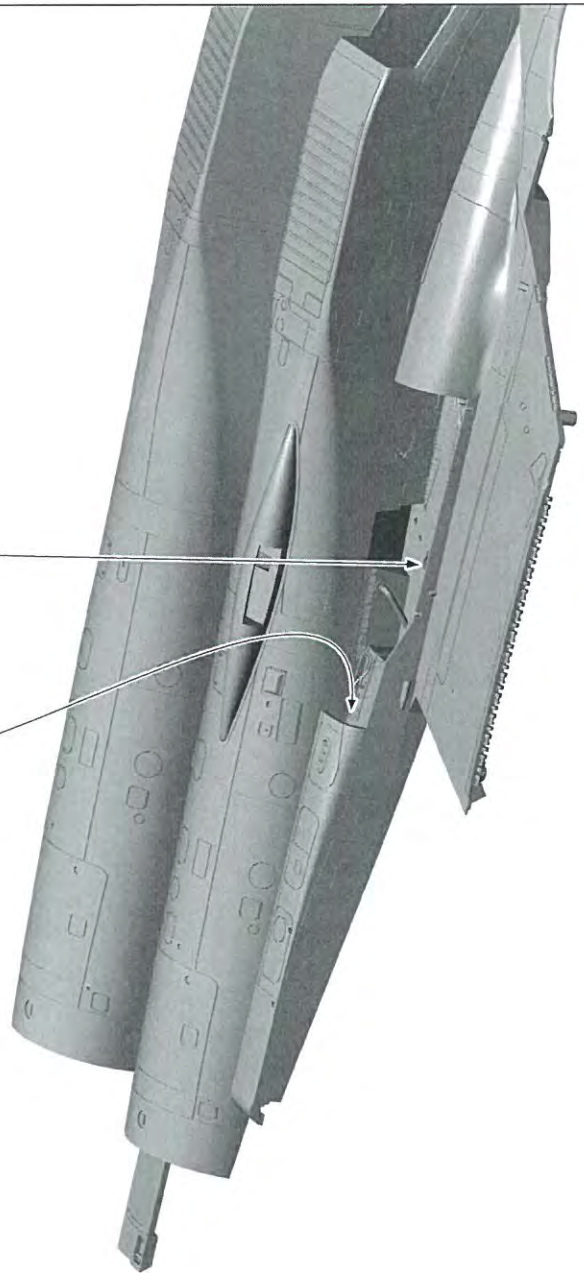
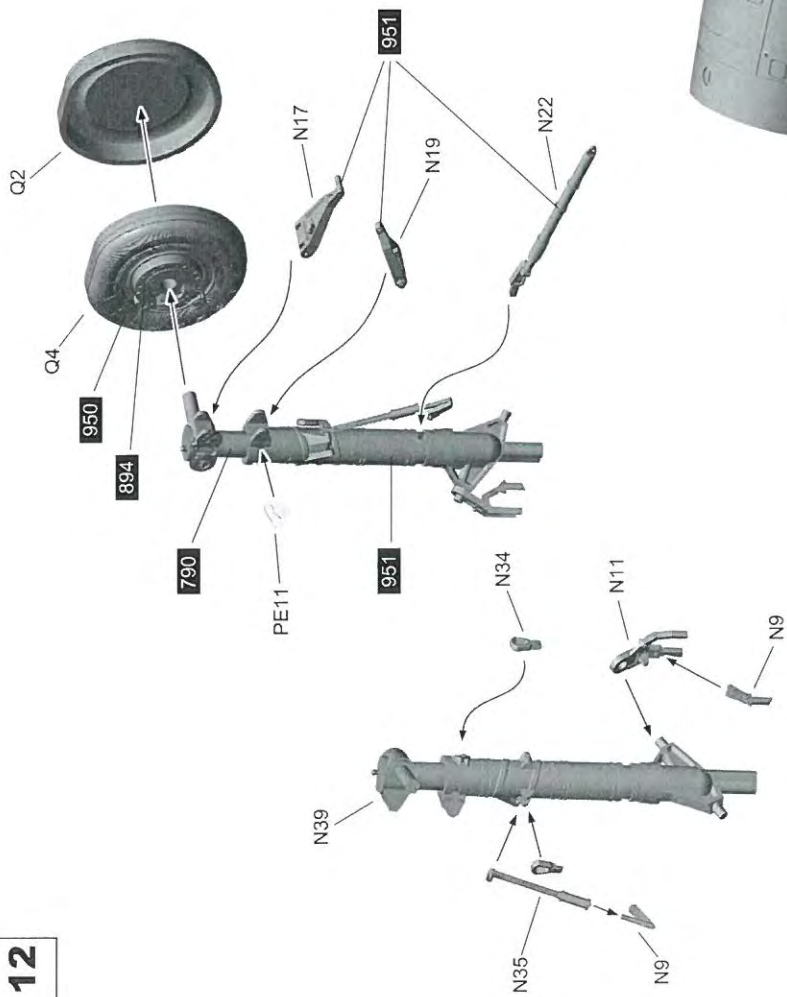
E9

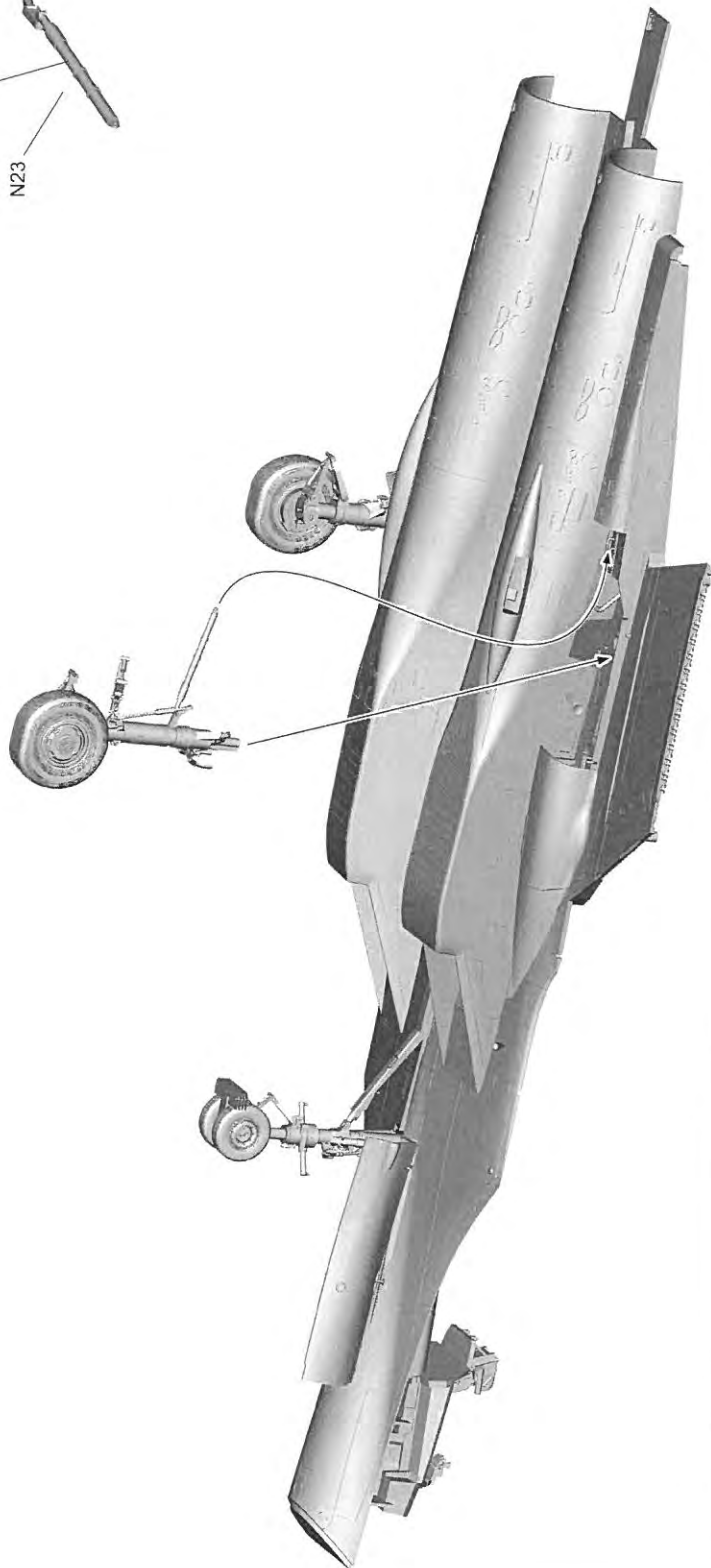
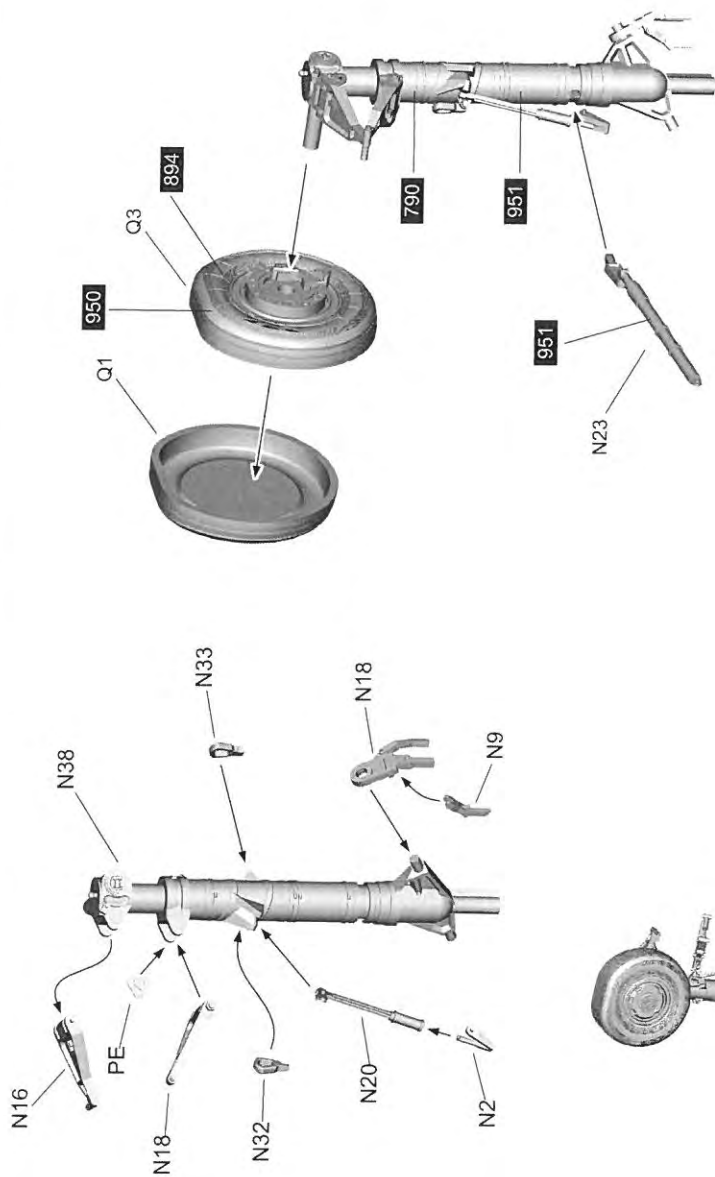
O20



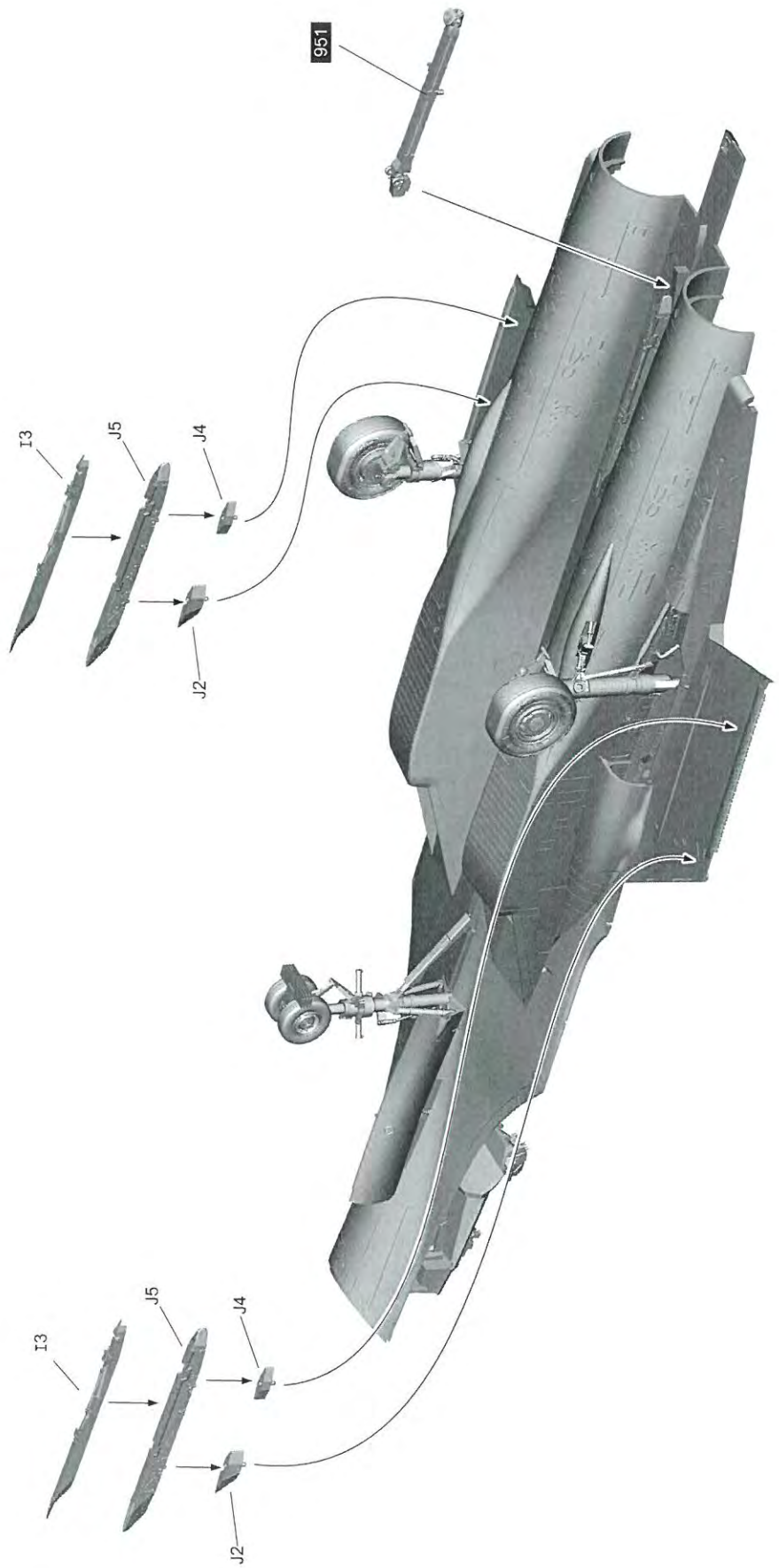
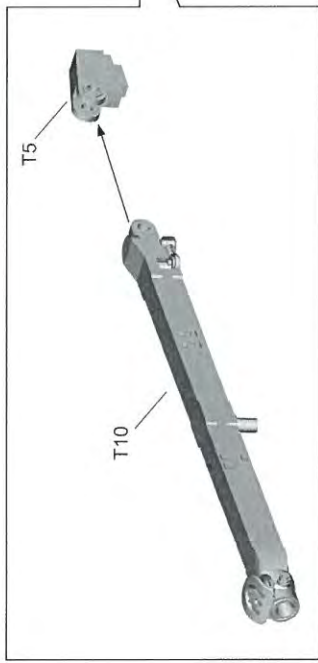
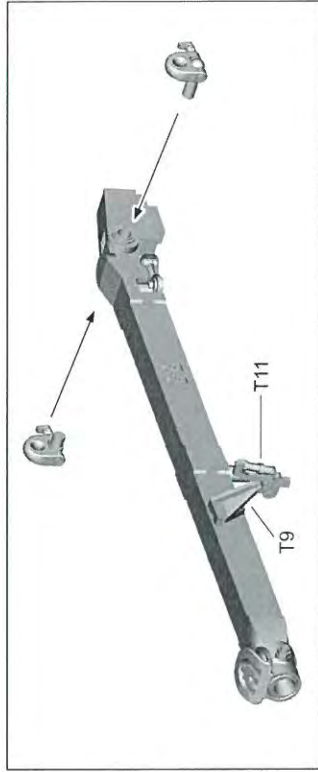
11

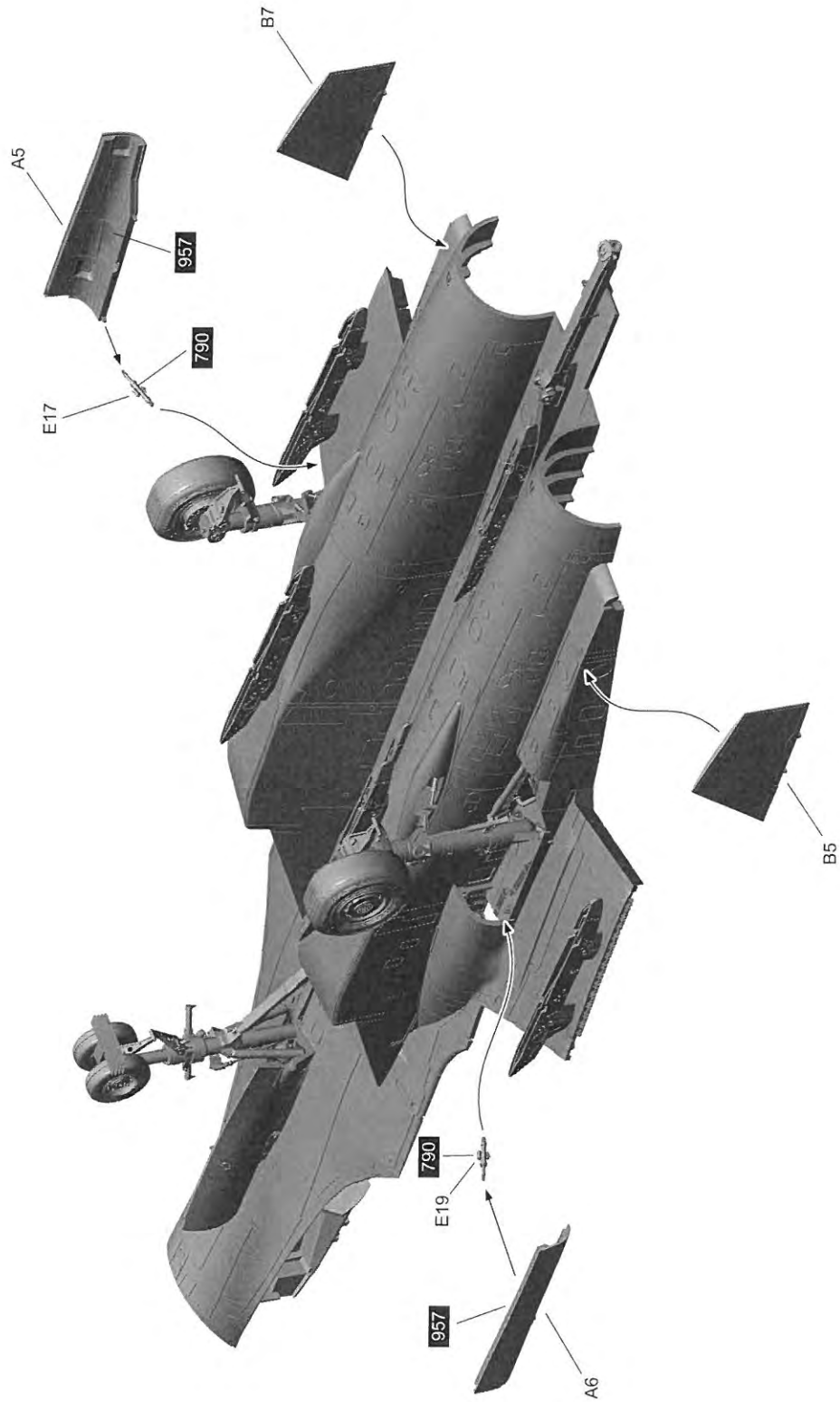




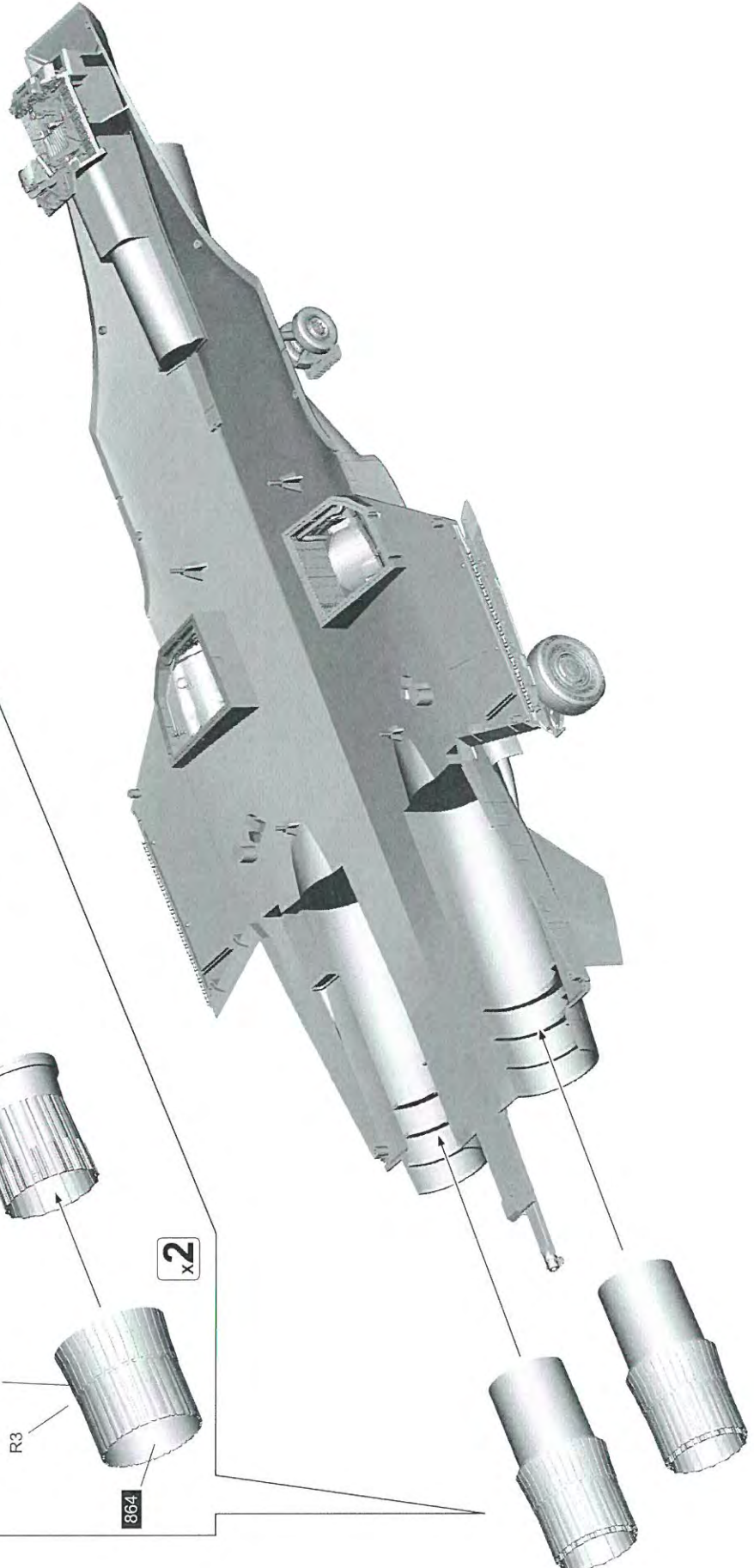
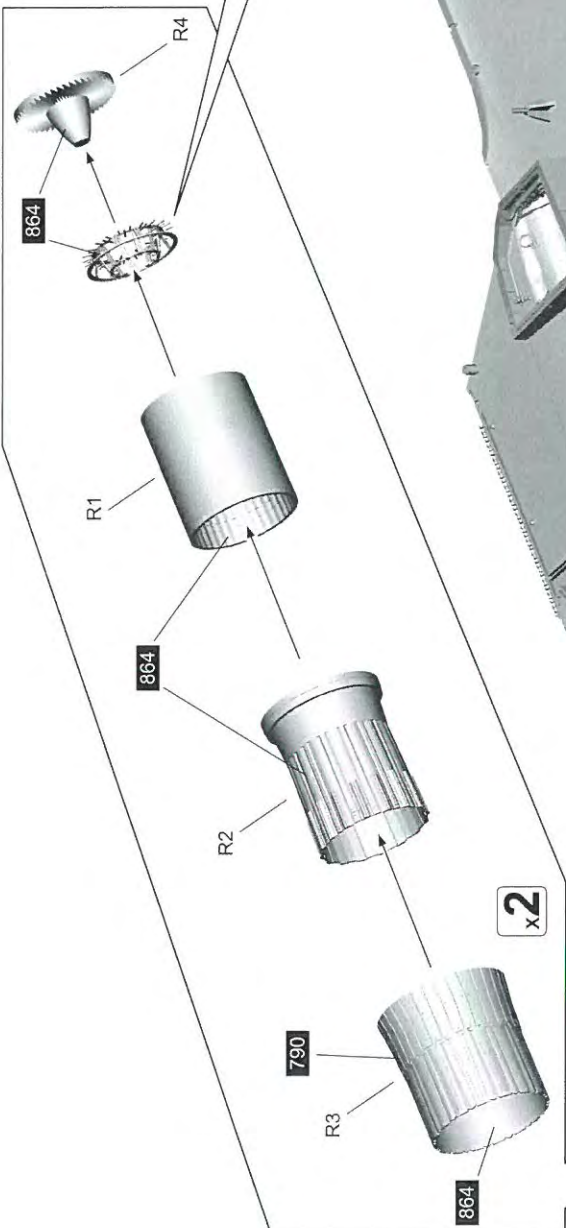
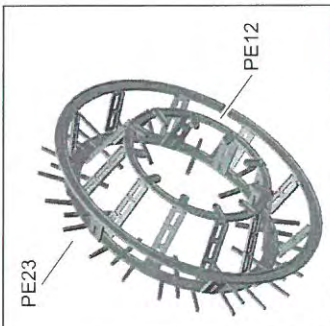


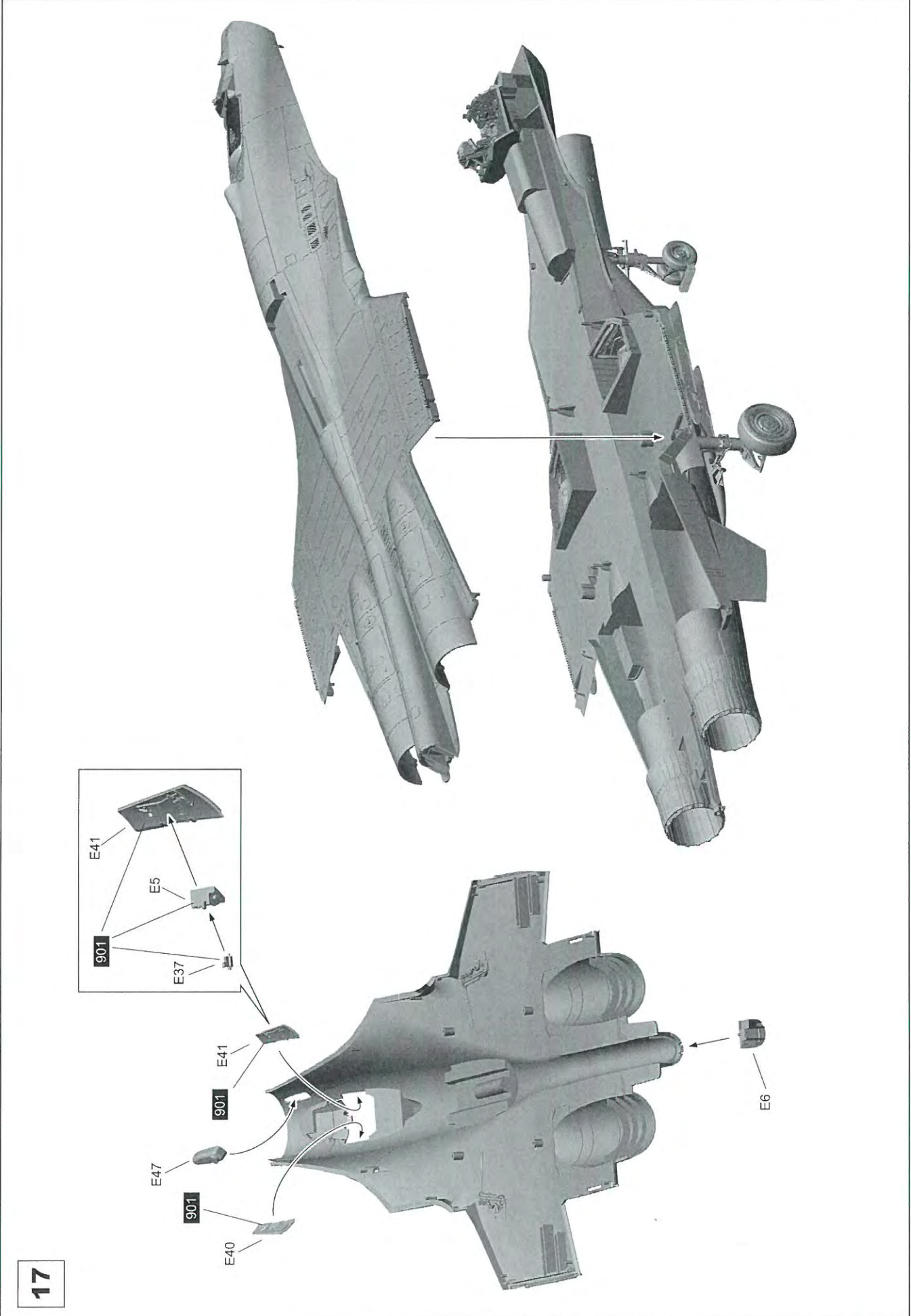
14

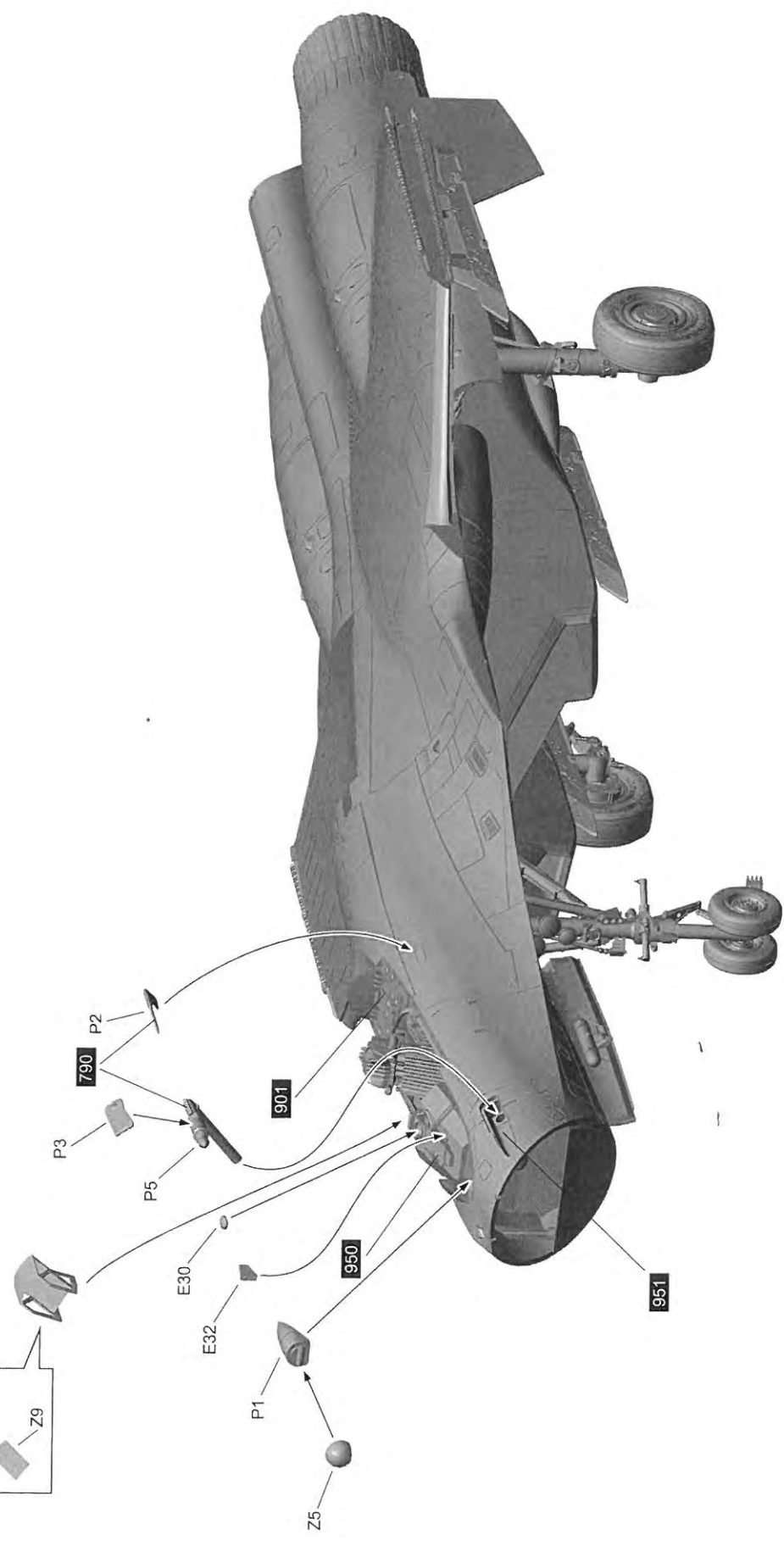
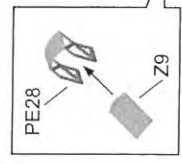


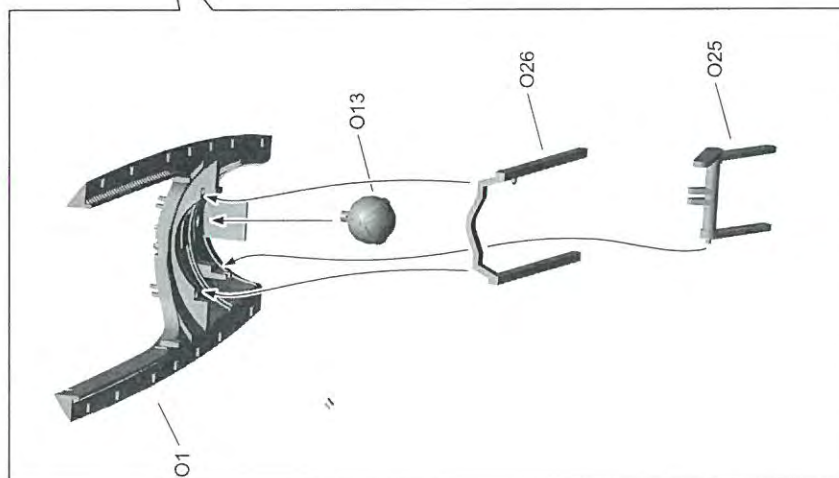
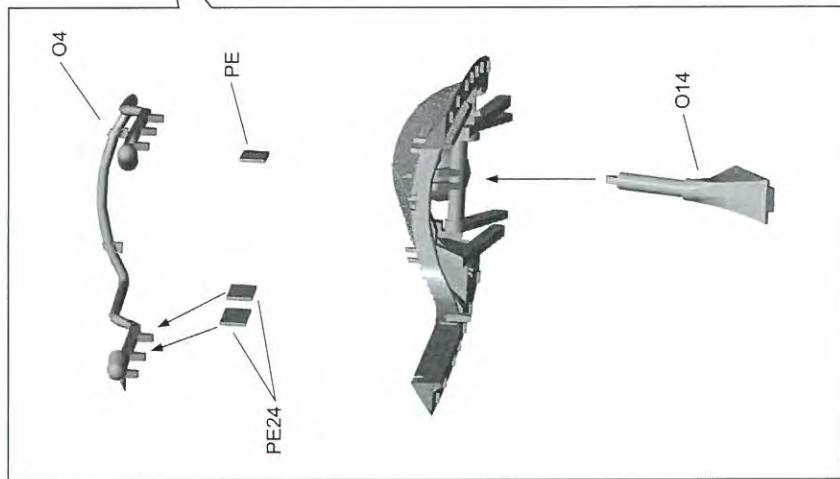
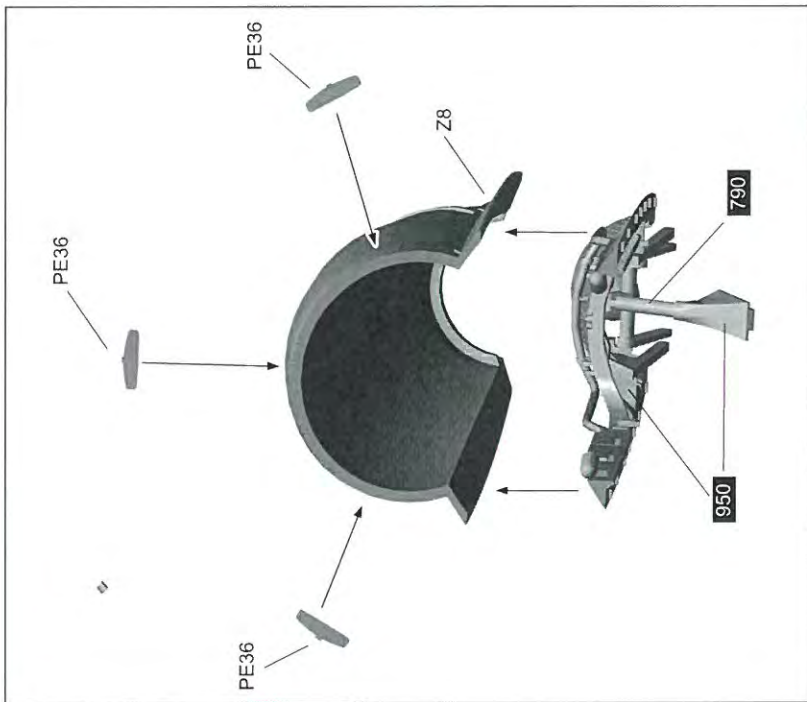


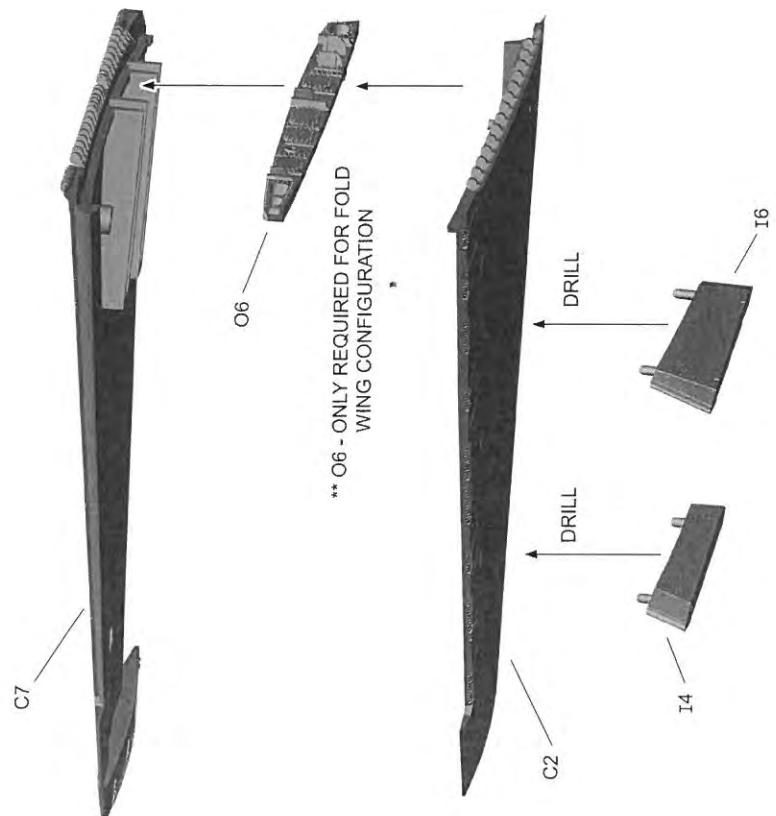
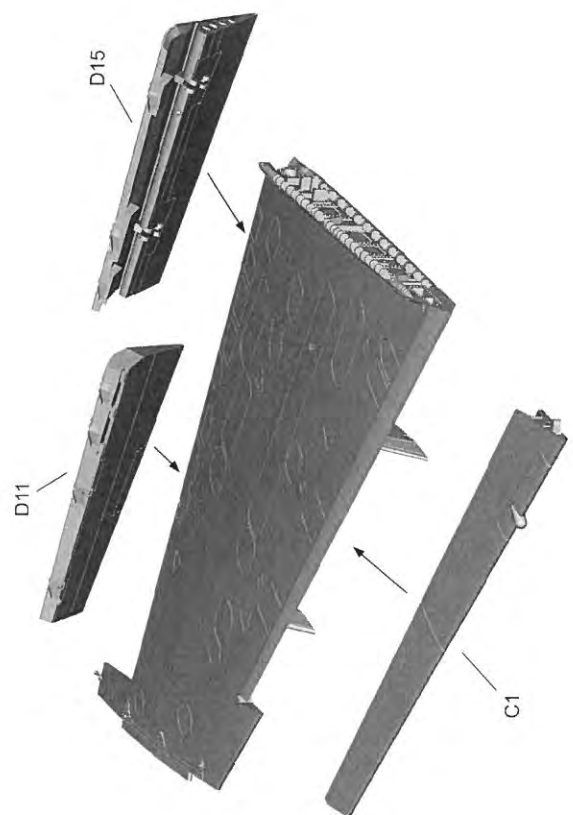
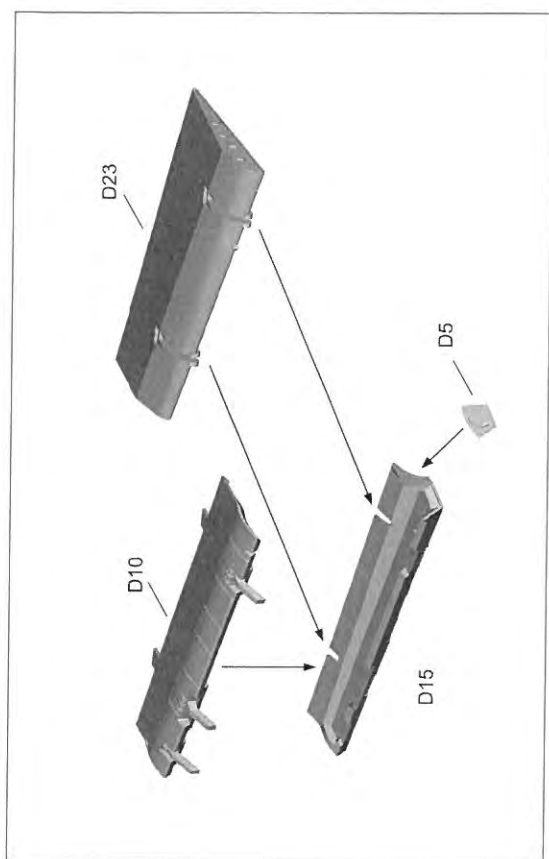
16

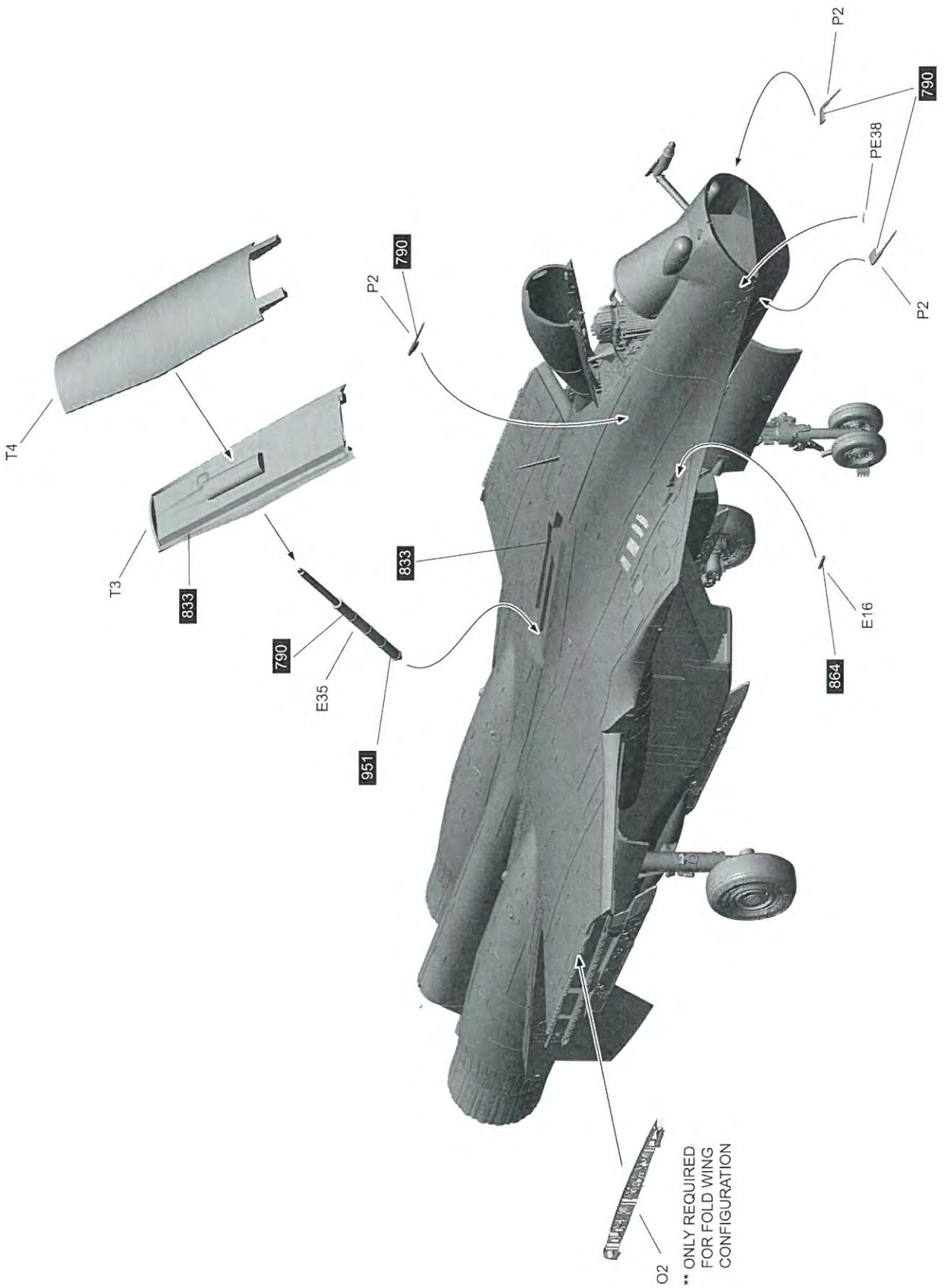


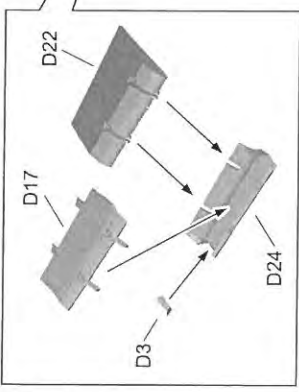
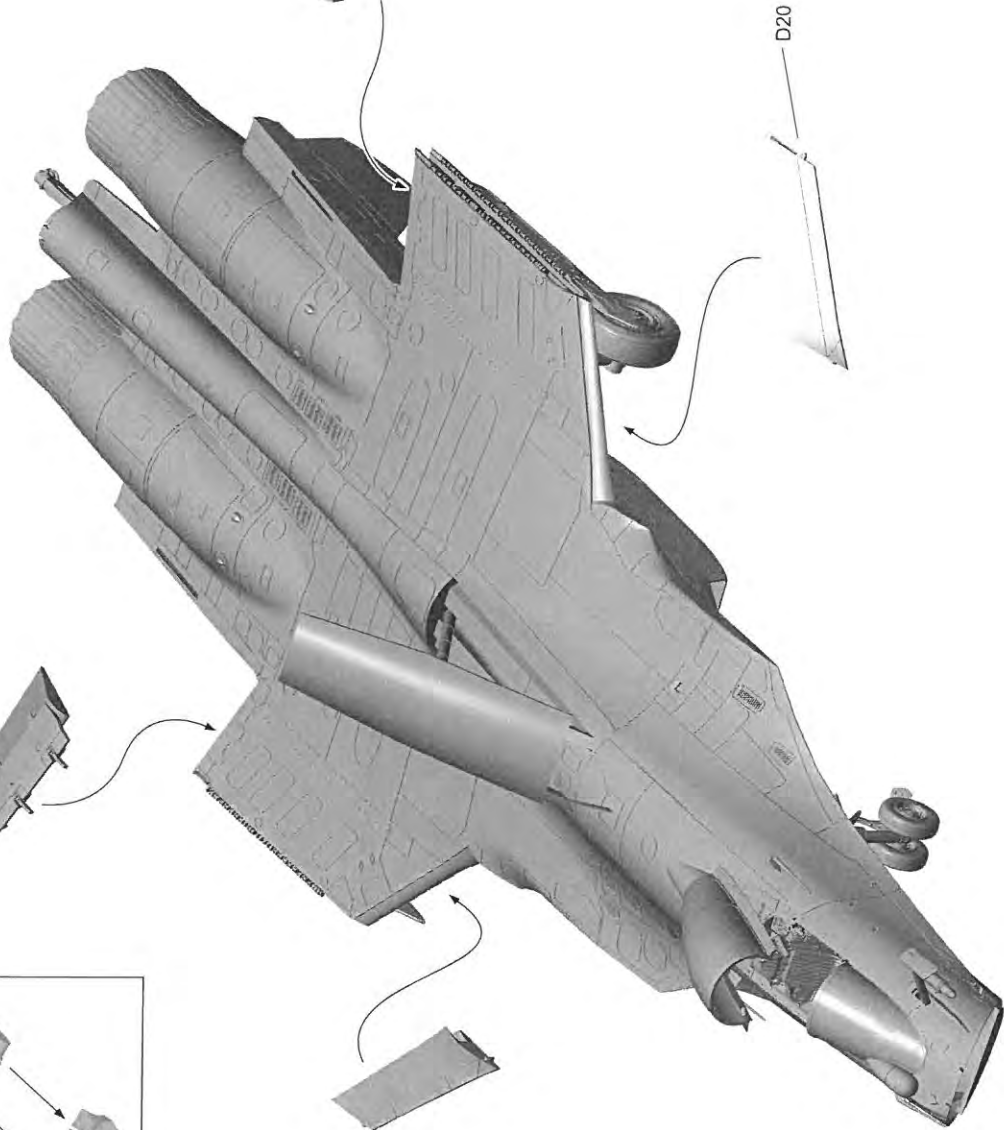
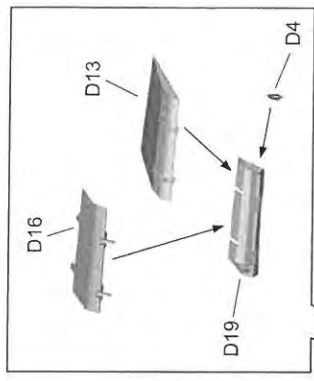




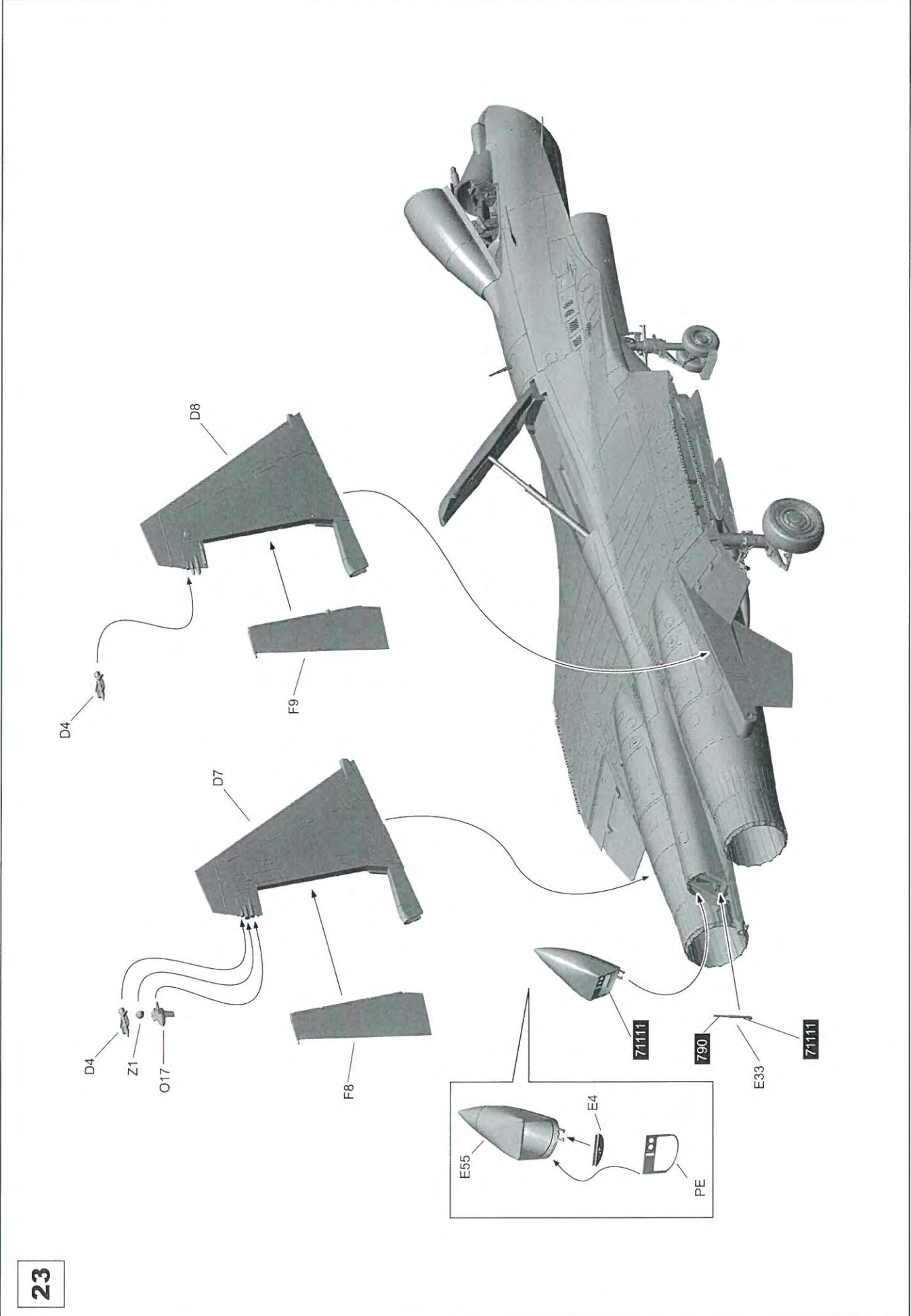


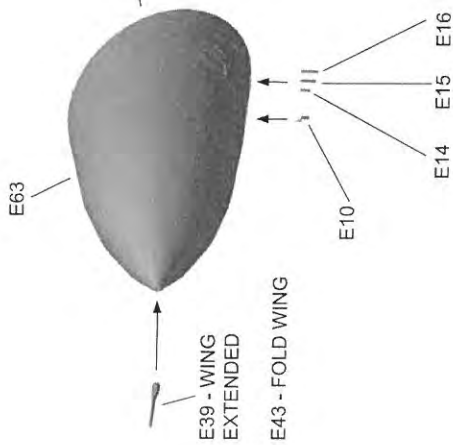
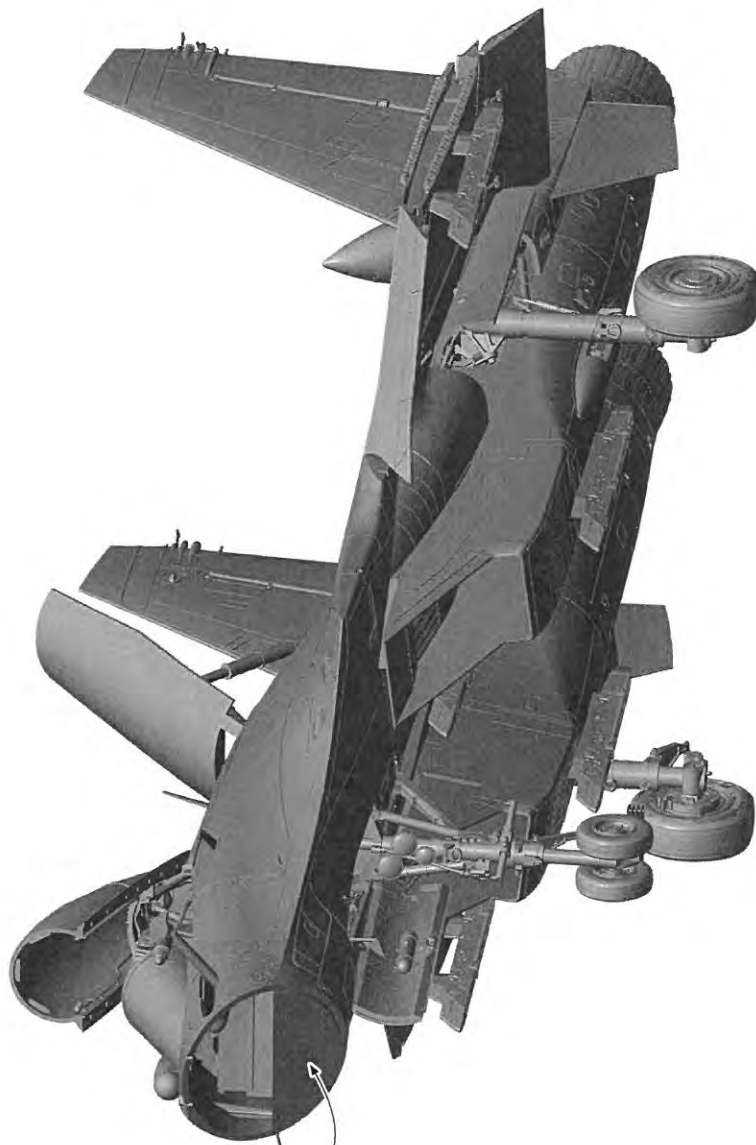


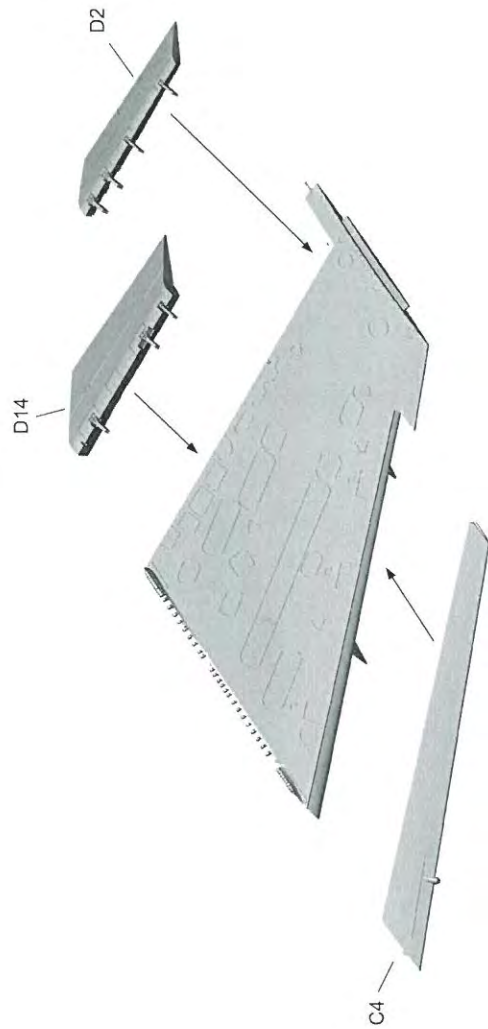
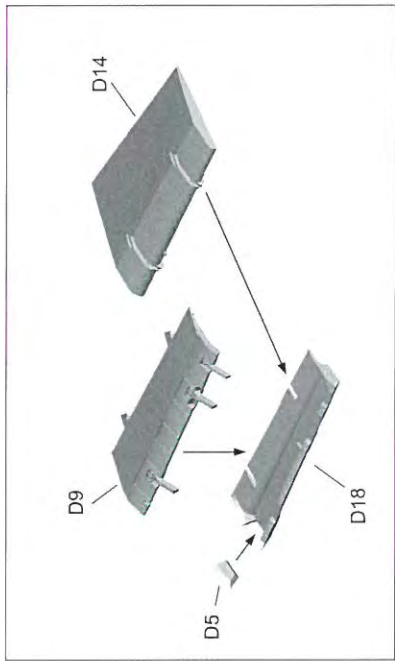
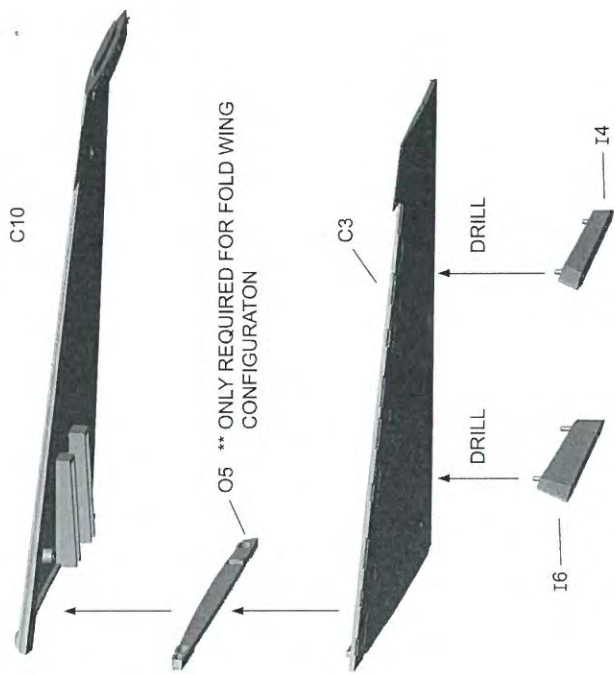


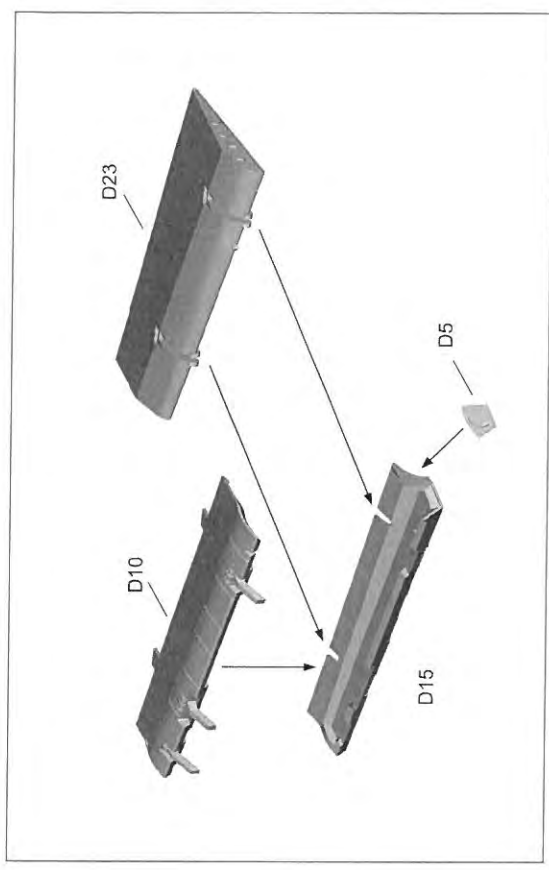
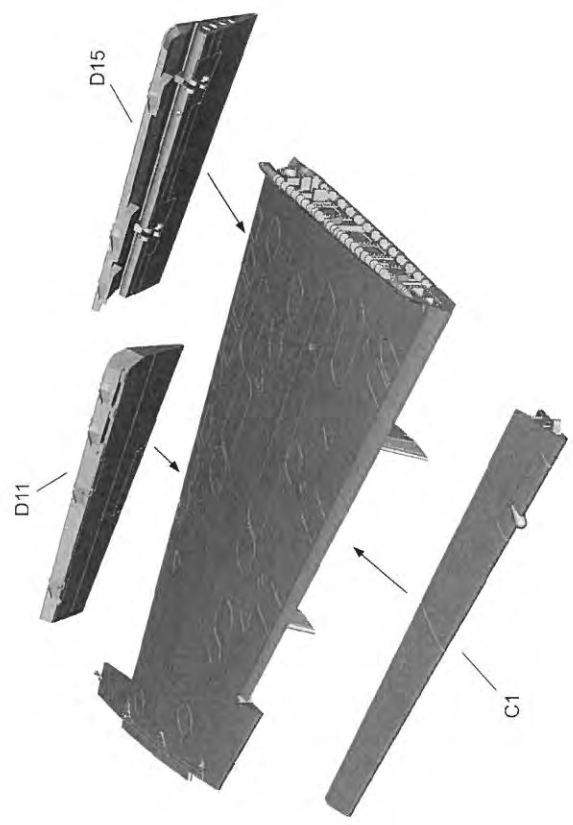
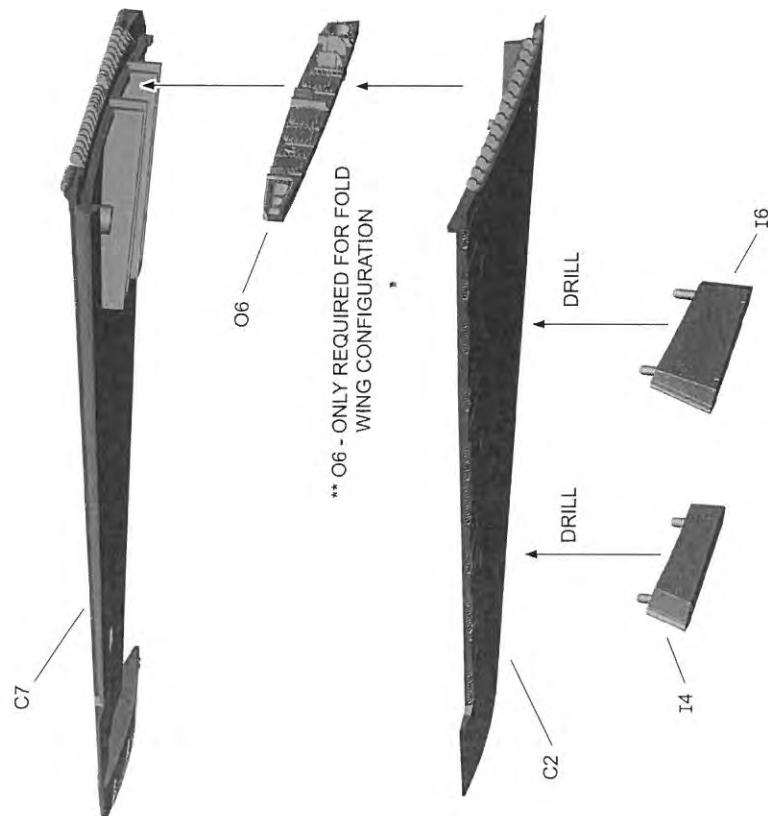


22

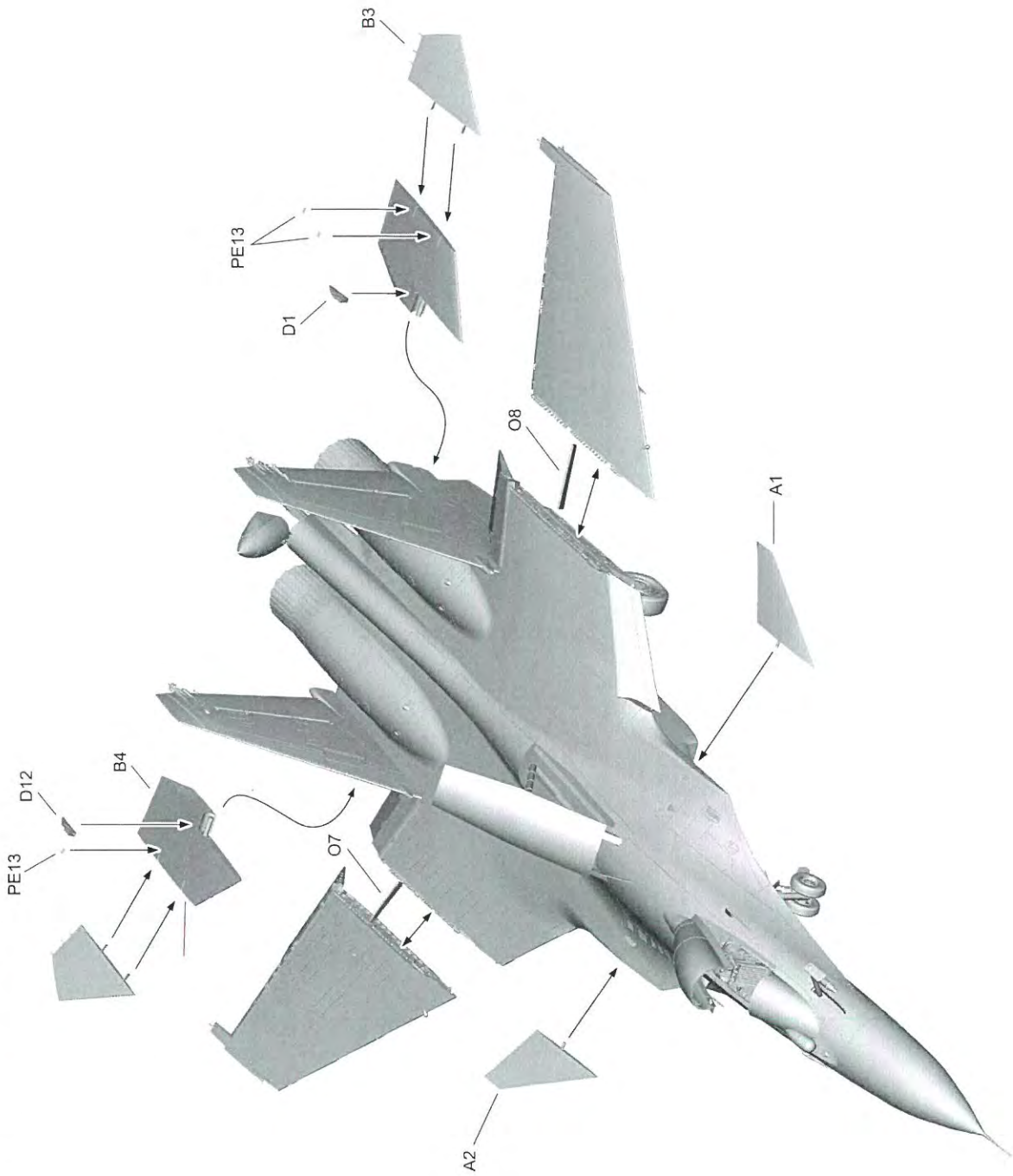




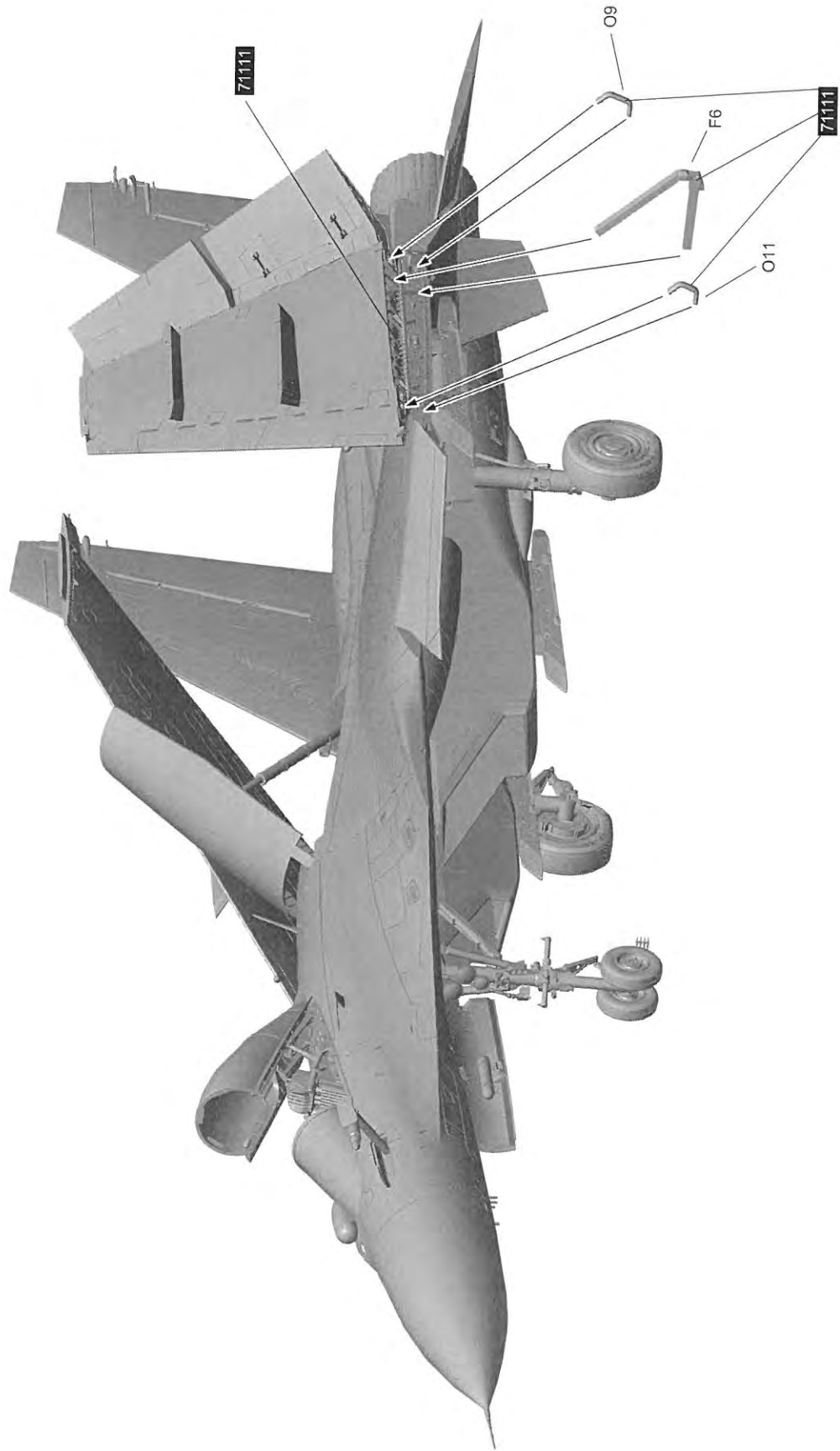




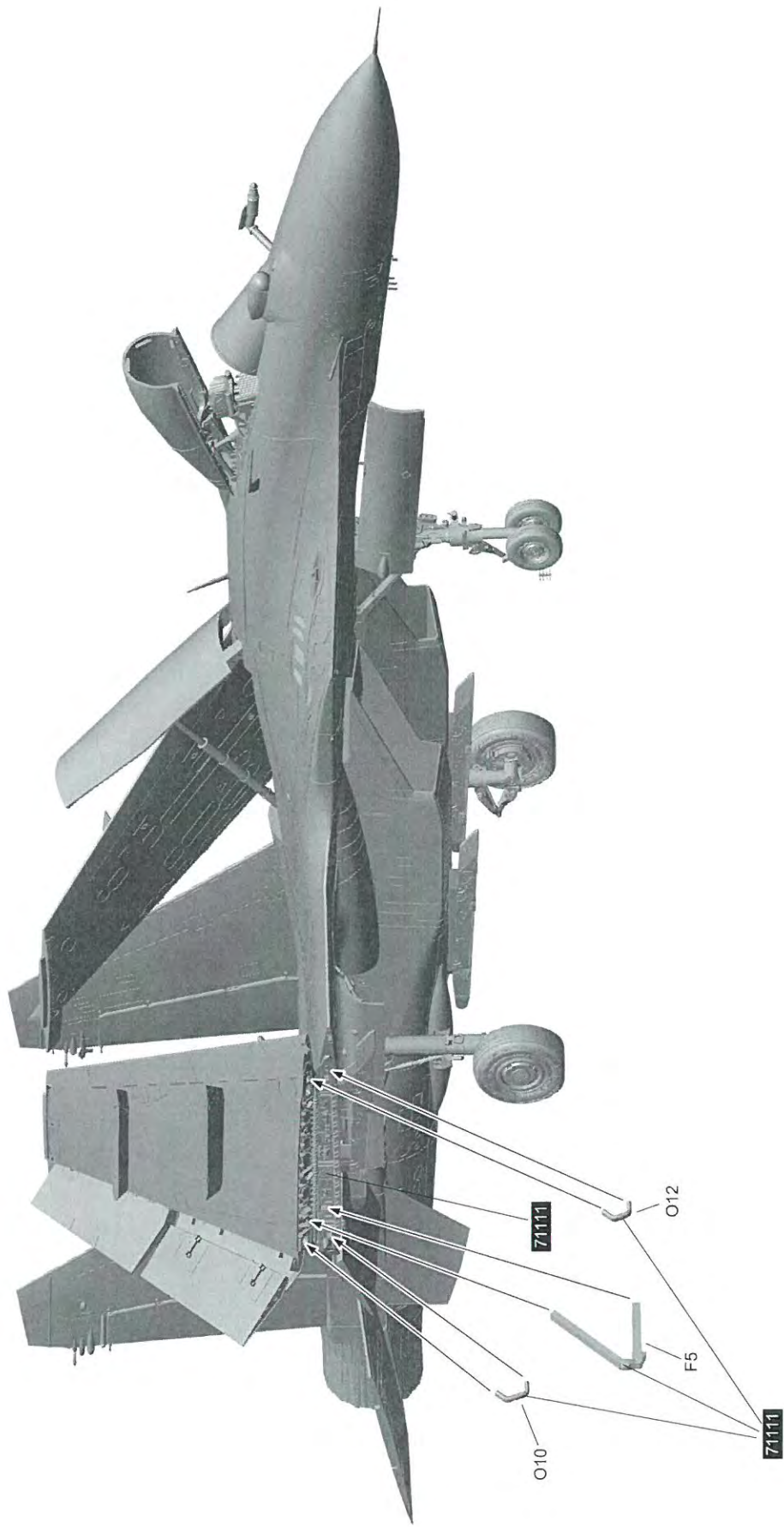
27 WING FULLY EXTENDED CONFIGURATION

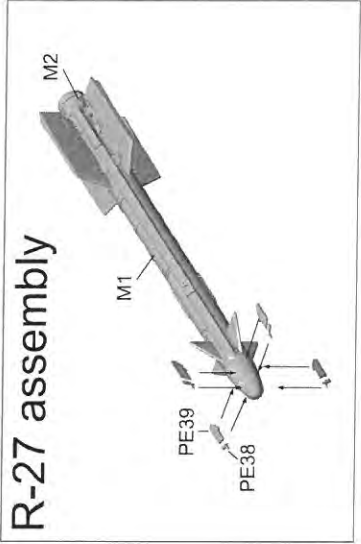
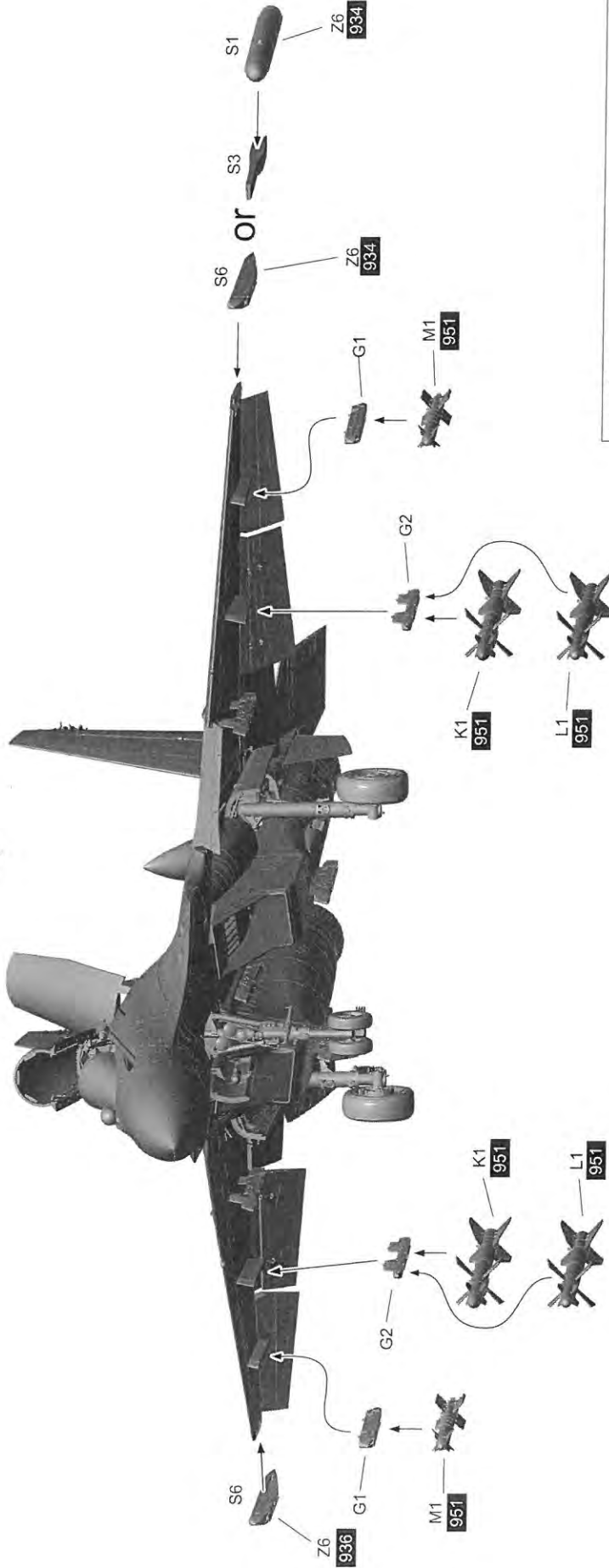


28 FOLDED WING CONFIGURATION

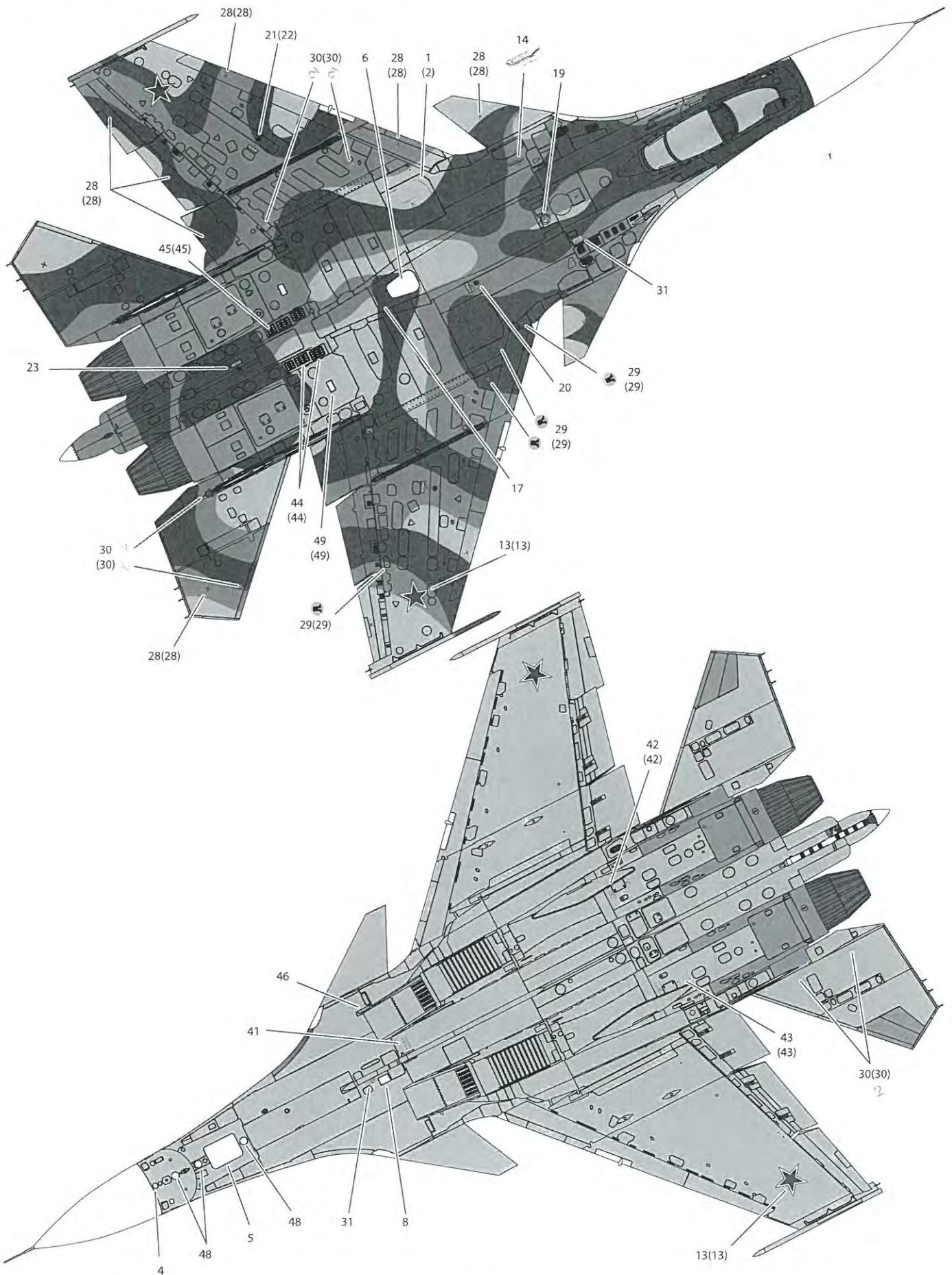


29 FOLDED WING CONFIGURATION









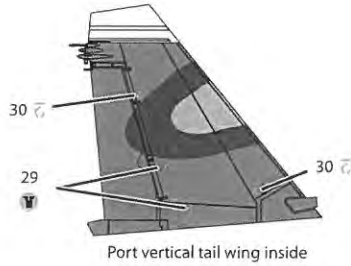
1/48 SCALE AIRCRAFT SERIES NO: K48062



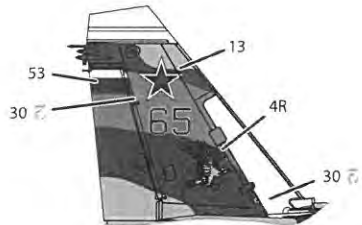
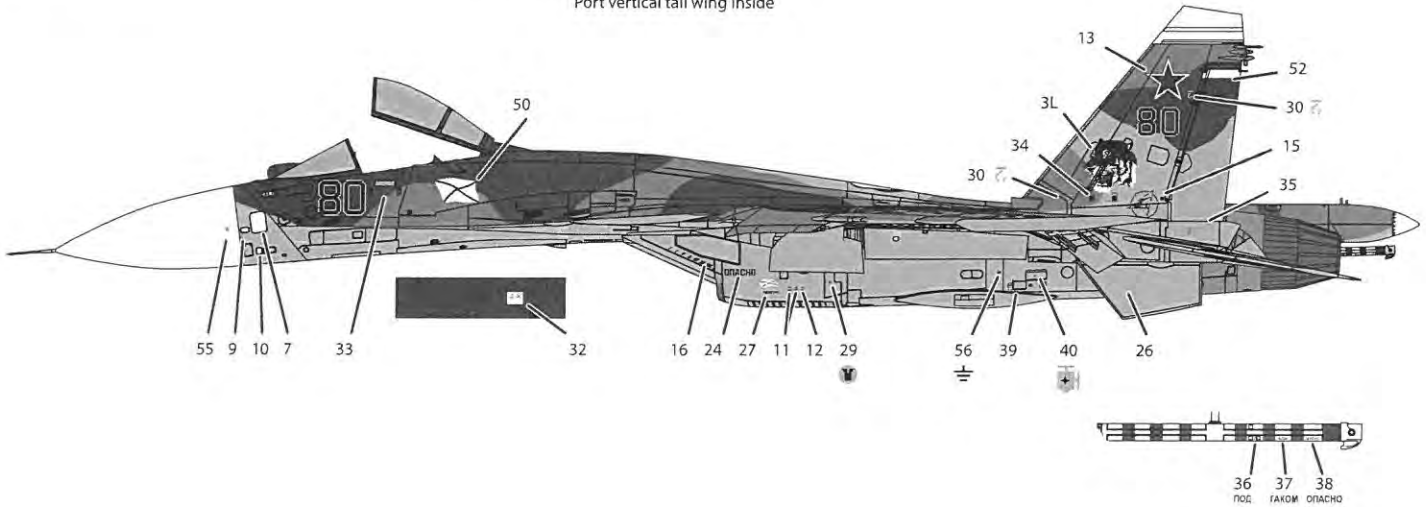
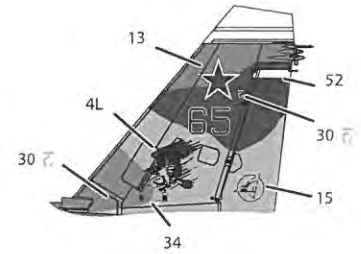
1/48 SCALE AIRCRAFT SERIES NO: K48062

Su-33, 279th Fighter Aviation Regiment, Russian Naval Aviation, on board Admiral Kuznetsov.

-  Gunze 115
-  Gunze 323 (70%) + 30 (30%)
-  Gunze 72
-  Gunze 62



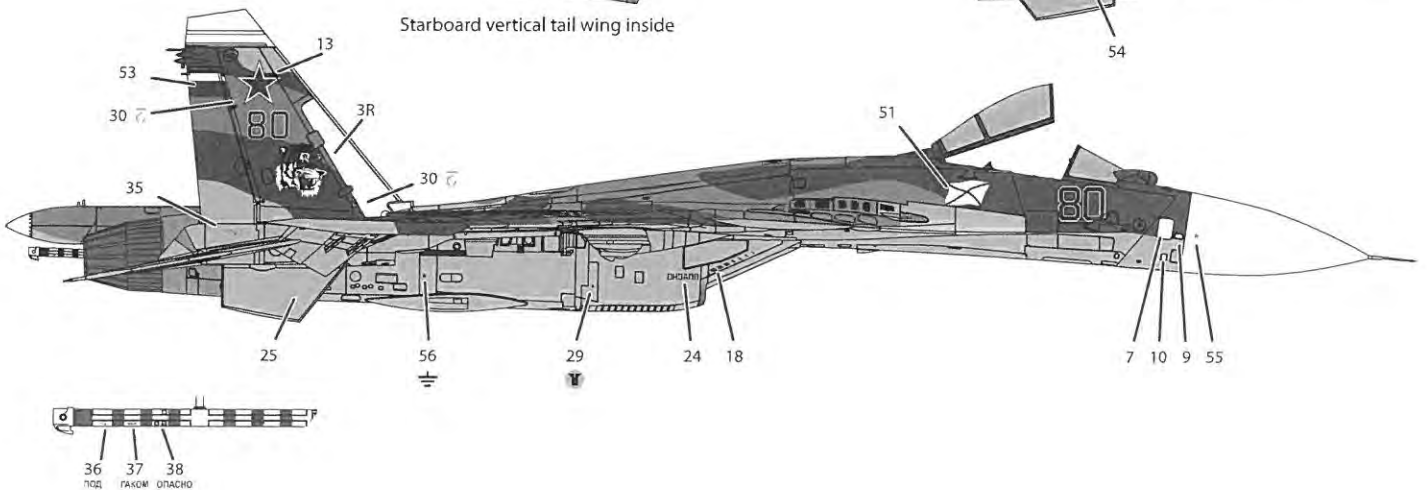
Marking 4L/4R are for 1st "Eagle" squadron: Aircraft No. 60, 61, 62, 64, 66, 67, 71, 72, 77, 78



Marking 3L/3R are for 2nd "Tiger" squadron: Aircraft No. 80, 81, 83, 84, 85, 86, 87, 88



Sukhoi emblem (Marking 54) is found on the port ventral fin while marking 26 is removed on some aircraft as no. 88 in 2015



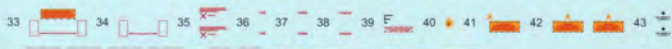
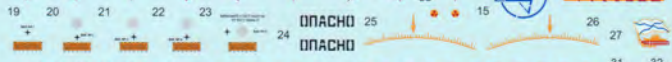


1 2 3 4 5 6 6 7 7 8 8 0 5

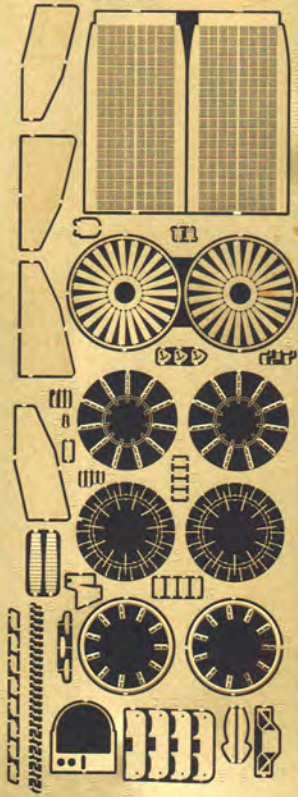
1 2 3 4 5 6 6 7 7 8 8 0 6

1 2 3 4 5 6 6 7 7 8 8 0 7

1 2 3 4 5 6 6 7 7 8 8 0 8



46 47 48 49 54



KINETIC Model Kits 1/48 Su-33 "Sea Flanker"

01-095-48062

DESIGNED BY CROSSDELTA cartograf