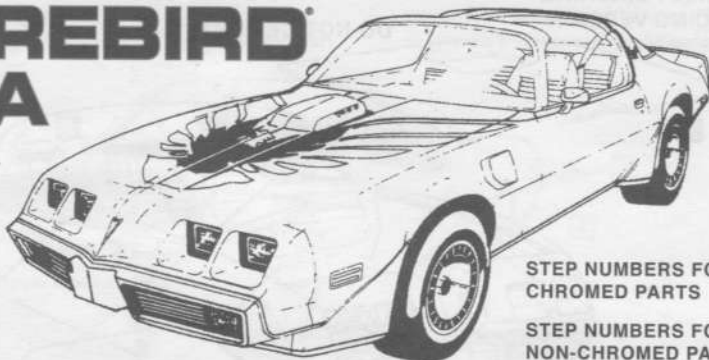


79

PONTIAC FIREBIRD T/A

M820-200

mpe



IMPORTANT! READ THESE INSTRUCTIONS FIRST.

Before you begin building your kit, read the instructions and study the illustrations carefully. Test fit the parts before cementing them together, to acquaint yourself with their proper location. It is best to cut the parts from the "runners" with a modelers knife instead of twisting them off. Cut the parts only as they're needed. Only paint and cement made for

styrene should be used. Trim off excess plastic or "flash". The plating should be scraped from chromed parts where they are to be cemented. Use cement sparingly. Apply cement to small parts with a toothpick. When painting your model it is best to cement all non-chromed parts to the body and paint the whole unit at one time.

STEP NUMBERS FOR
CHROMED PARTS

10

STEP NUMBERS FOR
NON-CHROMED PARTS

10

PART NUMBERS

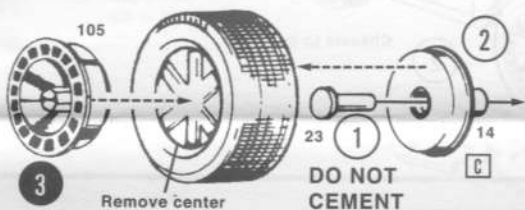
37

CEMENT ----->

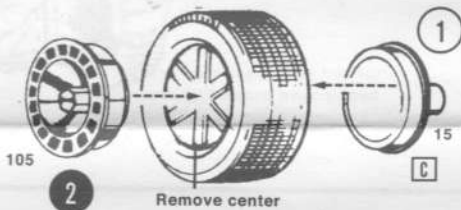
DO NOT CEMENT ----->

CLEAR
PLASTIC PARTS CLEARRED CLEAR
PLASTIC PARTS RED CLEAR

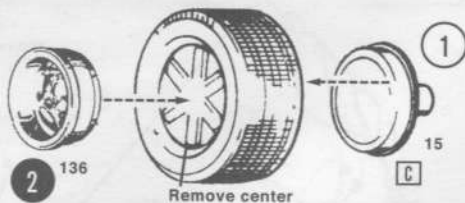
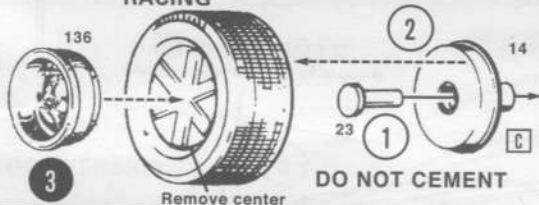
1 STOCK FRONT



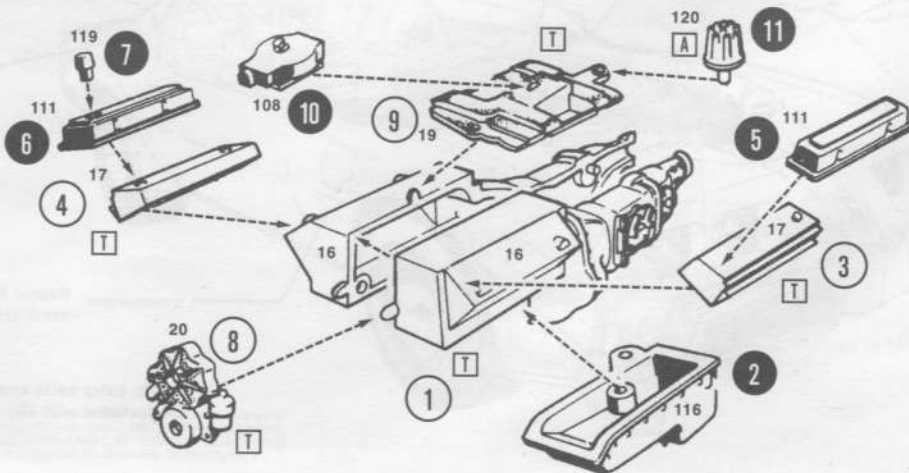
REAR



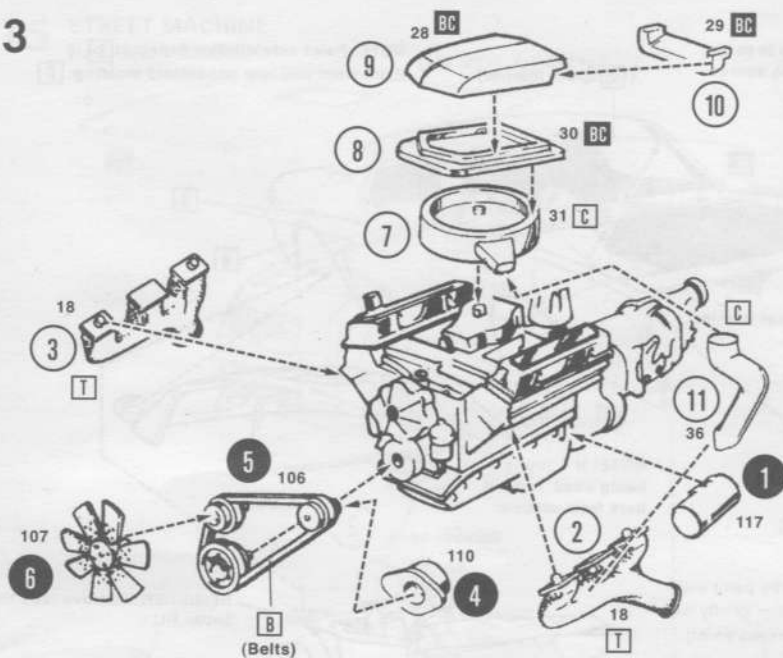
RACING



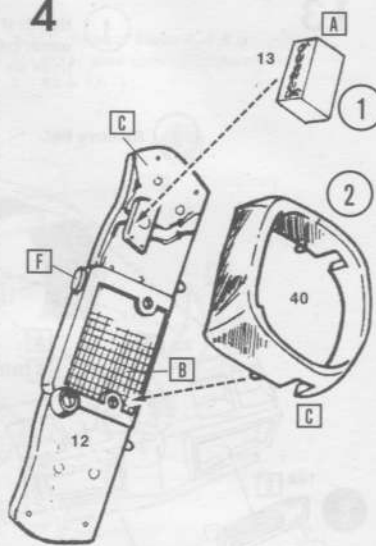
2



3

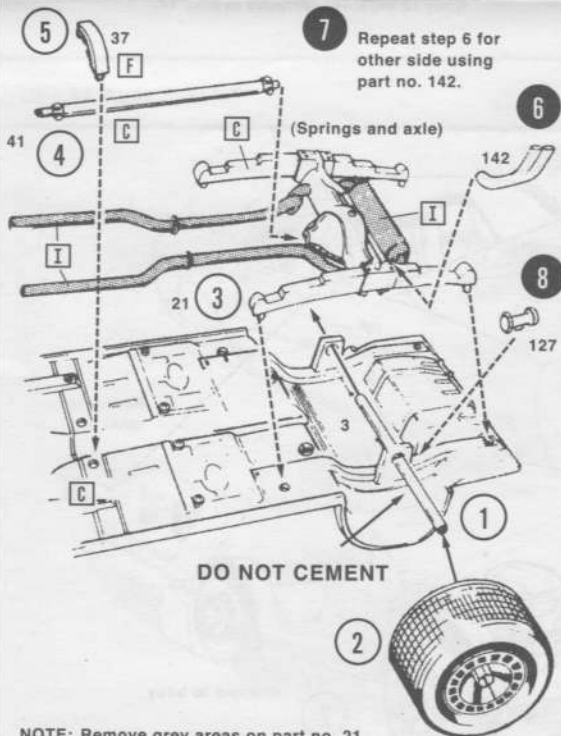


4



5

REAR

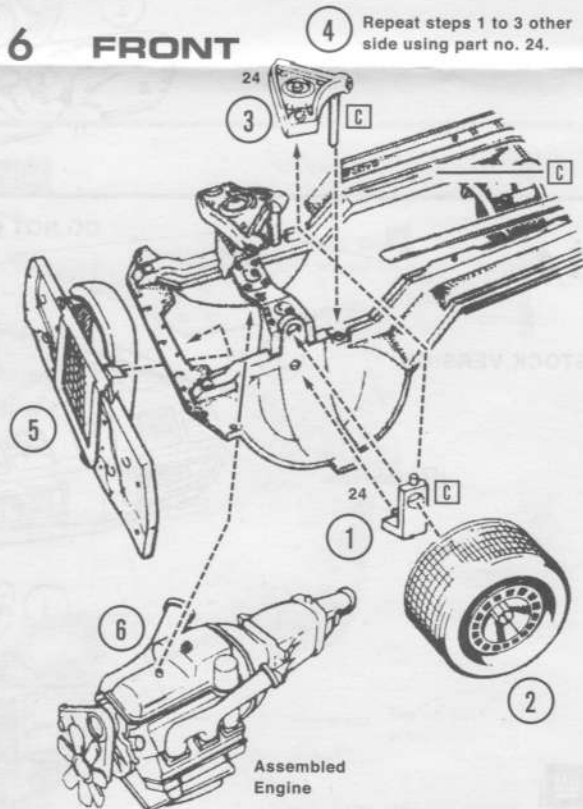


NOTE: Remove grey areas on part no. 21 and omit steps 6 and 7, if alternate exhaust system is to be used in assembly 7.

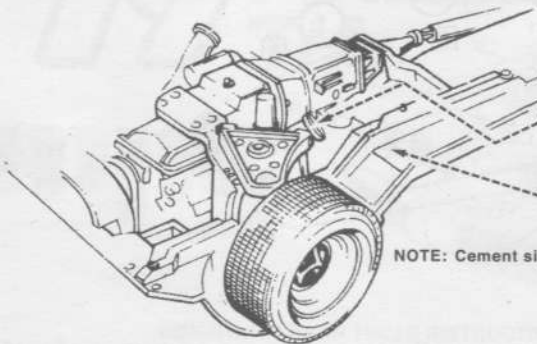
Repeat for other side.

6

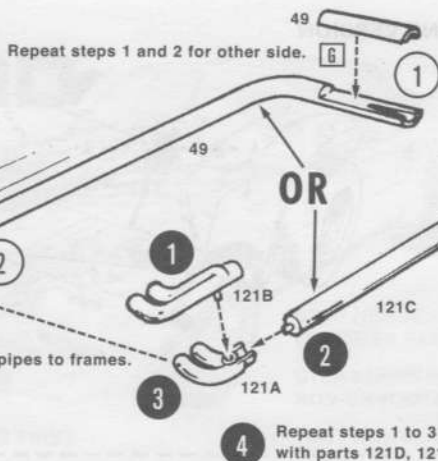
FRONT



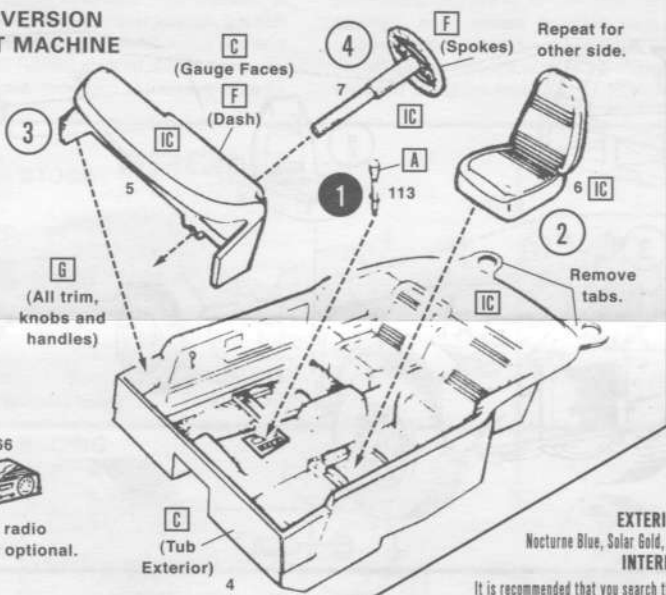
7 STREET MACHINE RACING VERSION



NOTE: Cement side pipes to frames.



8 STOCK VERSION STREET MACHINE



PAINT COLORS

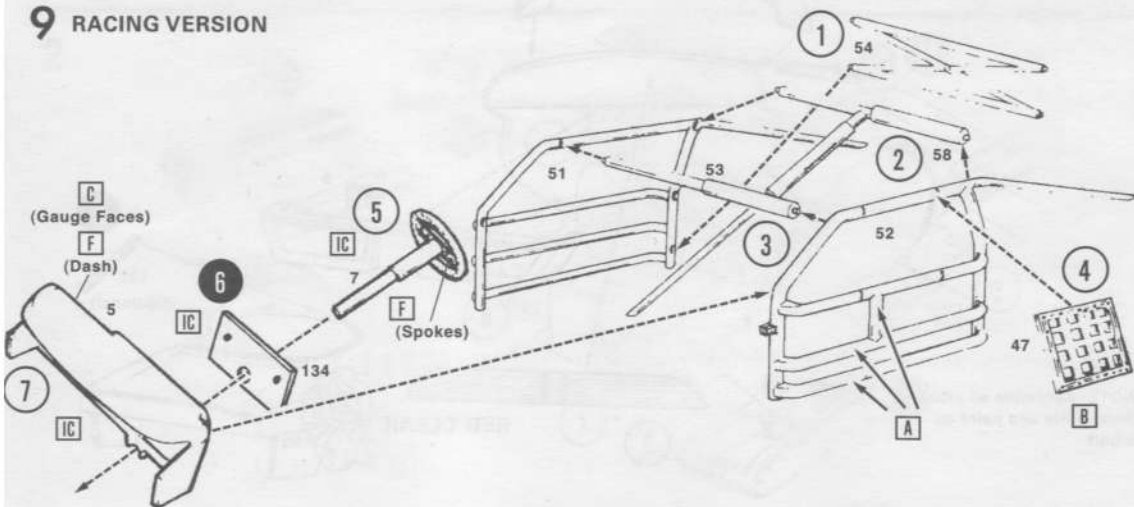
A	Black	Q	Yellow
B	Flat Black	R	Tan
C	Semi-Gloss Black	S	Brown
D	White	T	Lt. Blue
E	Flat White	U	Med. Blue
F	Silver	V	Dark Blue
G	Chrome (Bright Silver)	W	Transparent Blue
H	Aluminum	X	Lt. Green
I	Steel	Y	Dark Green
J	Brass	Z	Gray
K	Gold	AA	Purple
L	Amber	IC	Interior Color
M	Transparent Amber	BC	Body Color
N	Red	▲	Semi-Gloss
O	Transparent Red	△	Gloss
P	Orange	▲	Metallic

EXTERIOR COLORS: Cameo White, Platinum, Starlight Black, Atlantis Blue, Nocturne Blue, Solar Gold, Sundance Yellow, Sierra Copper, Heritage Brown, Mayan Red, Carmine

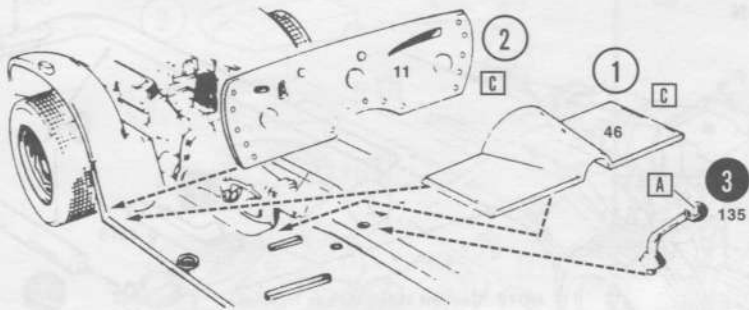
INTERIOR COLORS: Black, Camel Tan, Carmine, Oyster, Gray, Blue, Silver

It is recommended that you search the internet for more specific details regarding factory specifications.

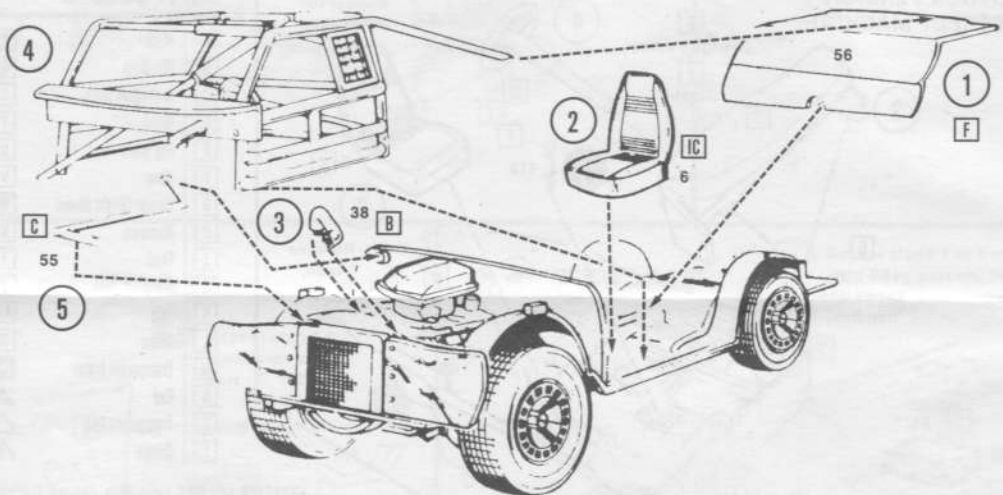
9 RACING VERSION



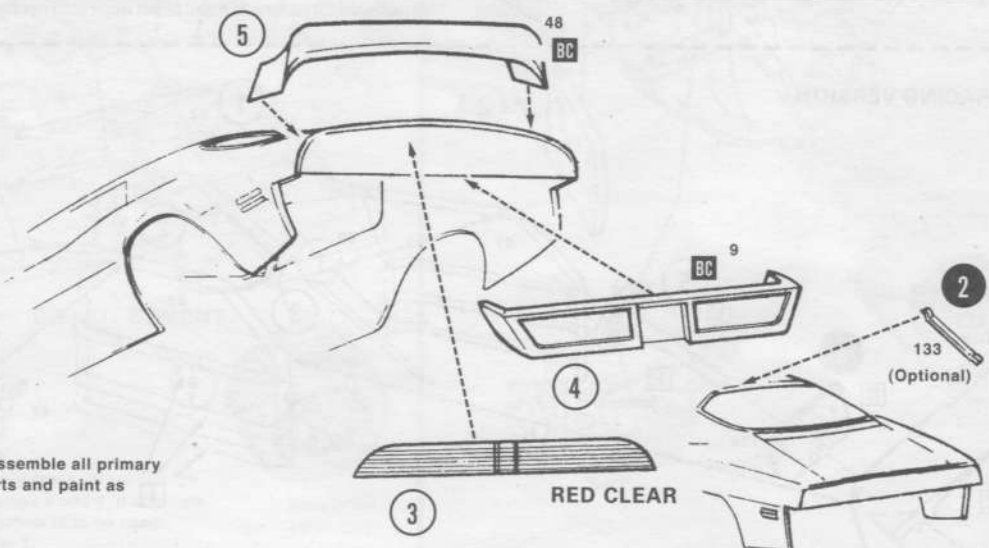
10 RACING VERSION



11 RACING VERSION



12



1 NOTE: Assemble all primary Body parts and paint as a unit.

RED CLEAR

133 (Optional)

1 NOTE: If T Top is to be used, cut along scored lines on roof.

NOTE: Paint side window molding: **C**
Paint front and rear windshield molding: **G**

2 Remove bar.

(**C** upper interior)

(**C** lower interior)

22 **BC**

N

(**G** trim)

4

NOTE: If T Top is being used, remove bars from window.

Remove hook.

CLEAR

8



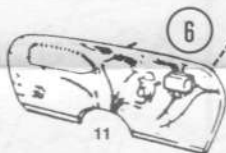
Repeat for other side.

7 104

Repeat for other side.

(Lightly paint with **D**, then gently wipe off excess paint)

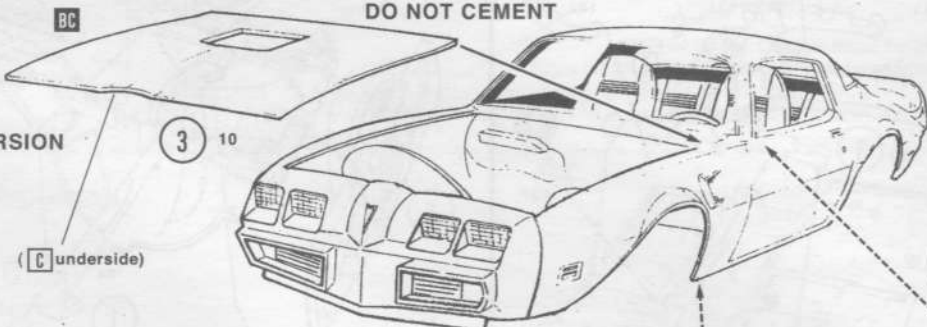
REMEMBER: Remove tabs for better fit.



NOTE: Make sure assembled Interior sits far enough forward when joined to body so Chassis and assembled Body fit together correctly in step 14.

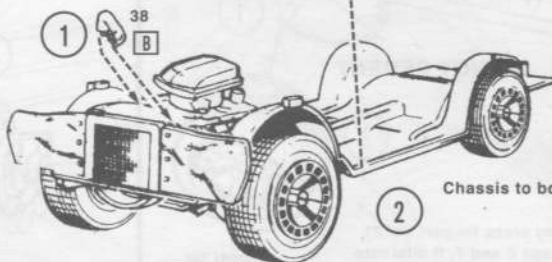
DO NOT CEMENT

STOCK VERSION



(**C** underside)

Repeat for other side.



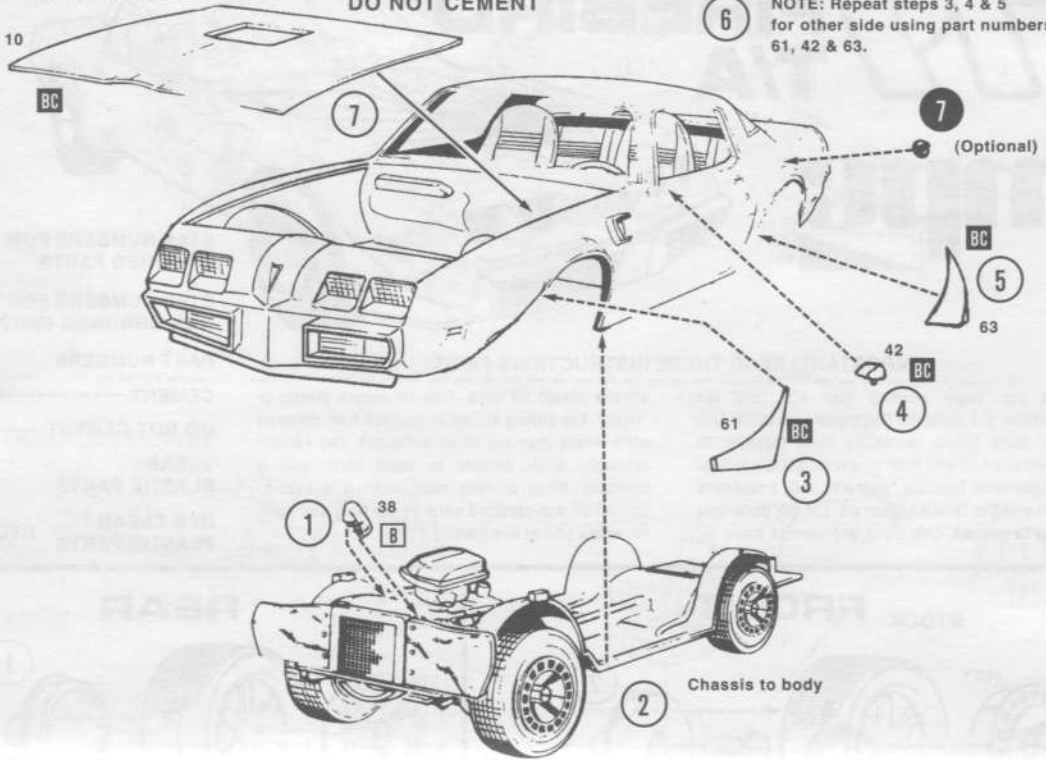
Chassis to body



15 STREET MACHINE RACING VERSION

DO NOT CEMENT

NOTE: Repeat steps 3, 4 & 5 for other side using part numbers 61, 42 & 63.



DECAL PLACEMENT



Optional front and rear plates available.

NOTE: Antenna placement optional.

TRANS AM
(Locate to back of rear spoiler)

Repeat for other side.

TRANS AM

141

Repeat for other side.

TRANS AM Repeat for other side.

NOTE: Extra parts and decals are included with kit.

