

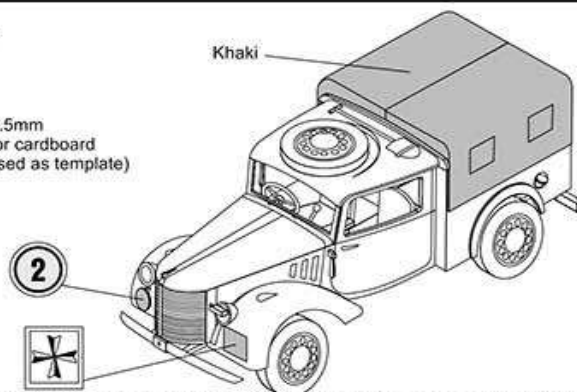
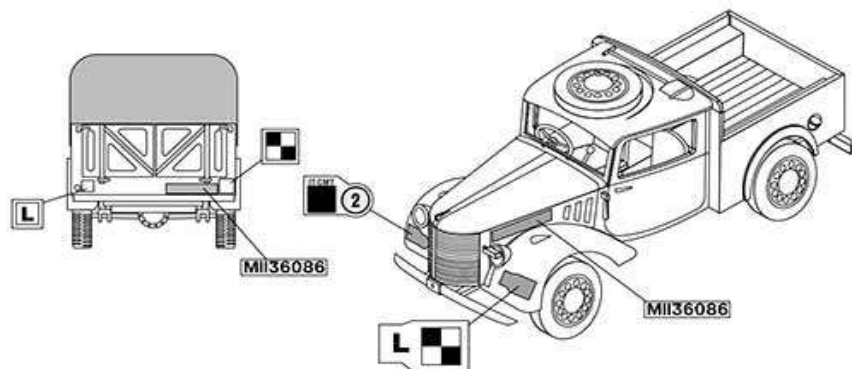


Painting and markings.



-  - Light Stone BS.61
-  -stand for Maltese cross 4 x4.5mm to be made from thin plastic or cardboard (picture on the right can be used as template)

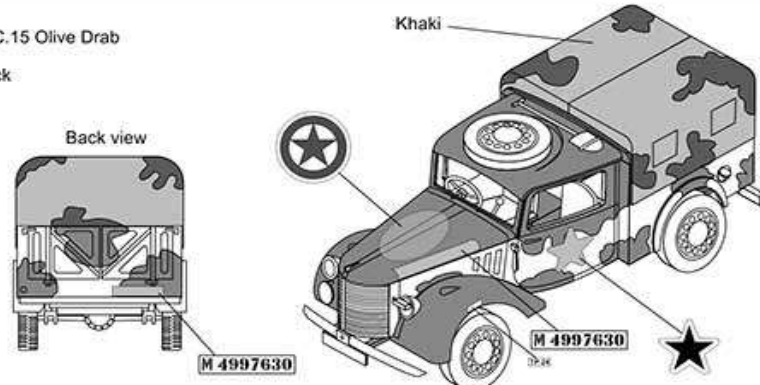


Tilly 10HP.1942.British Army. Malta, Independent Tank Squadron.(See box top for camo details).
Tilly 10HP. 1942.Отдельный танковый батальон Британской Армии.Мальта.(камуфляж-см.коробку).



Tilly 10HP. Auxiliary Territorial Service (ATS) a female branch of the British Army 1945. Khaki Green #3.
Tilly 10HP. ATS (женские военные формирования в Британской Армии). 1945. Хаки №3.

-  -SCC.15 Olive Drab
-  -Black



Tilly 10HP. 1944. British Army. Northwestern Europe. Unit unknown.
Tilly 10HP. 1944. Британская Армия. Северо-западная Европа. Подразделение неизвестно.

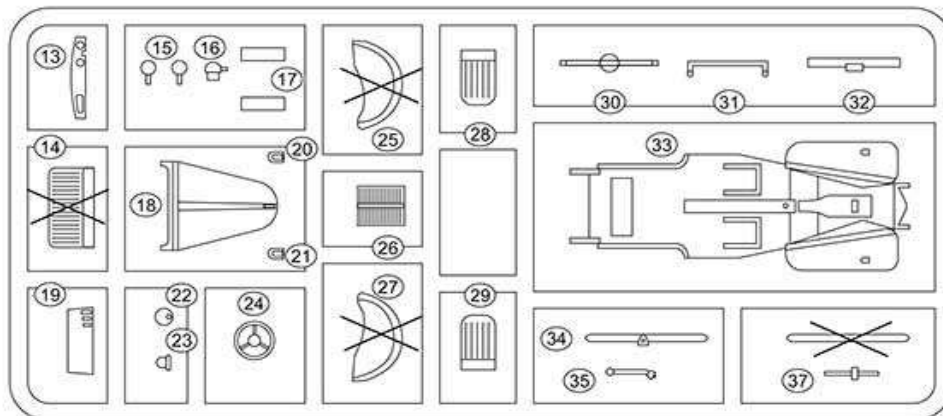
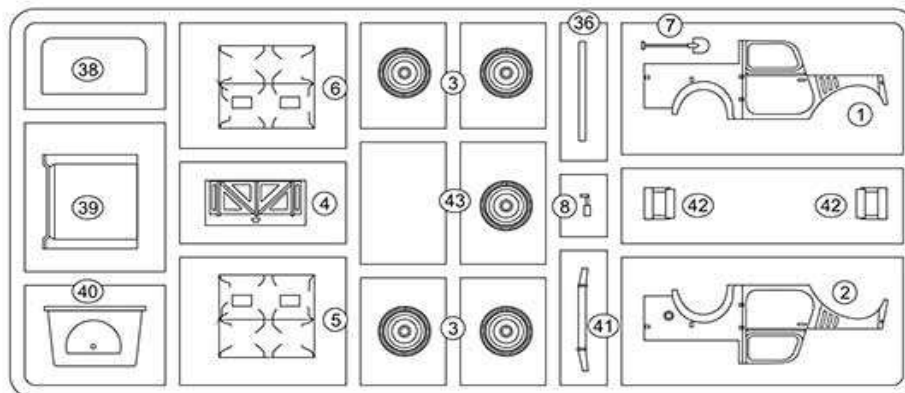
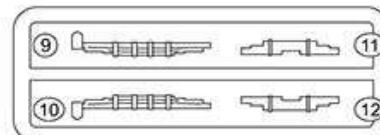


Tilly 10HP British Light Utility Car

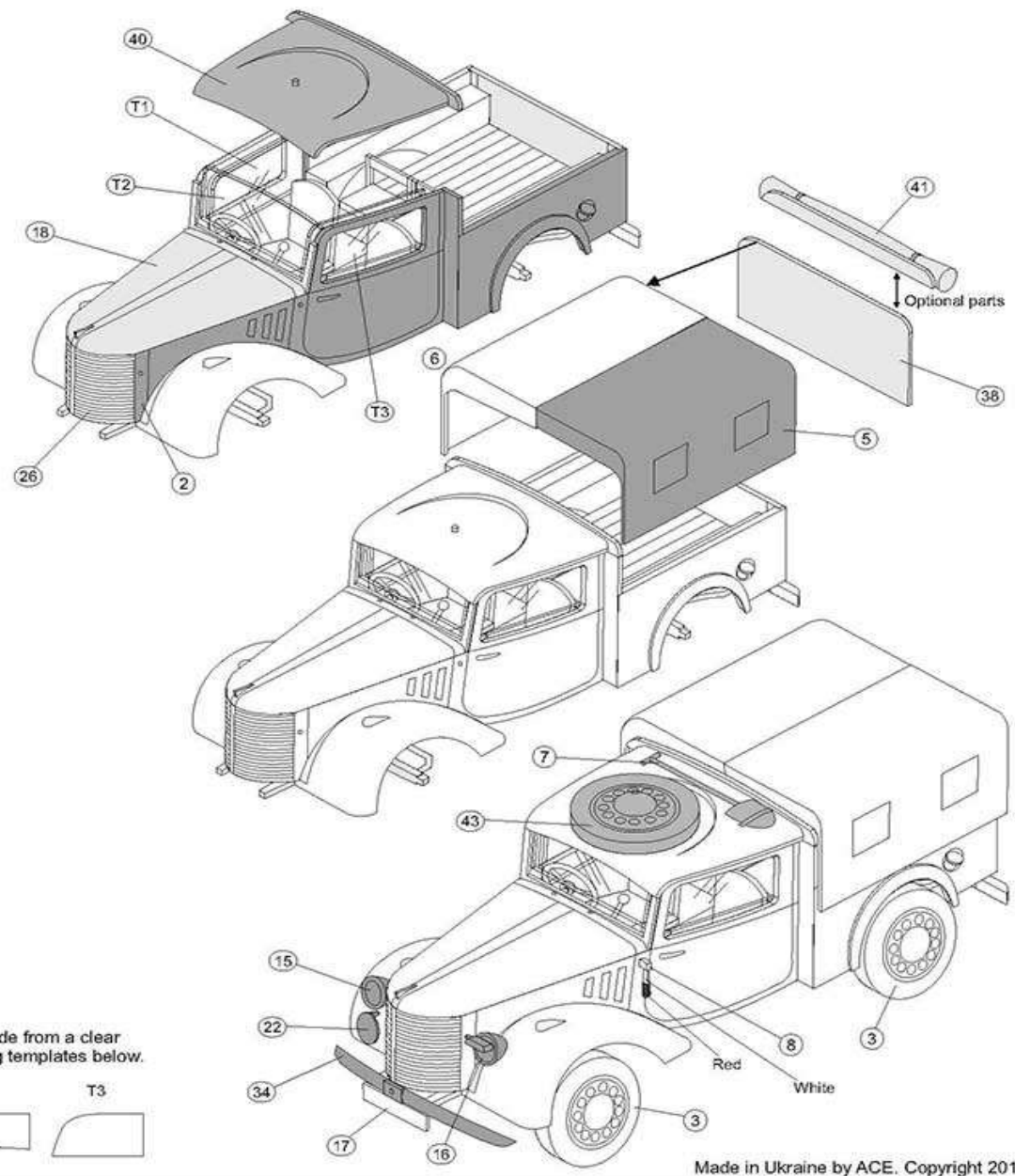
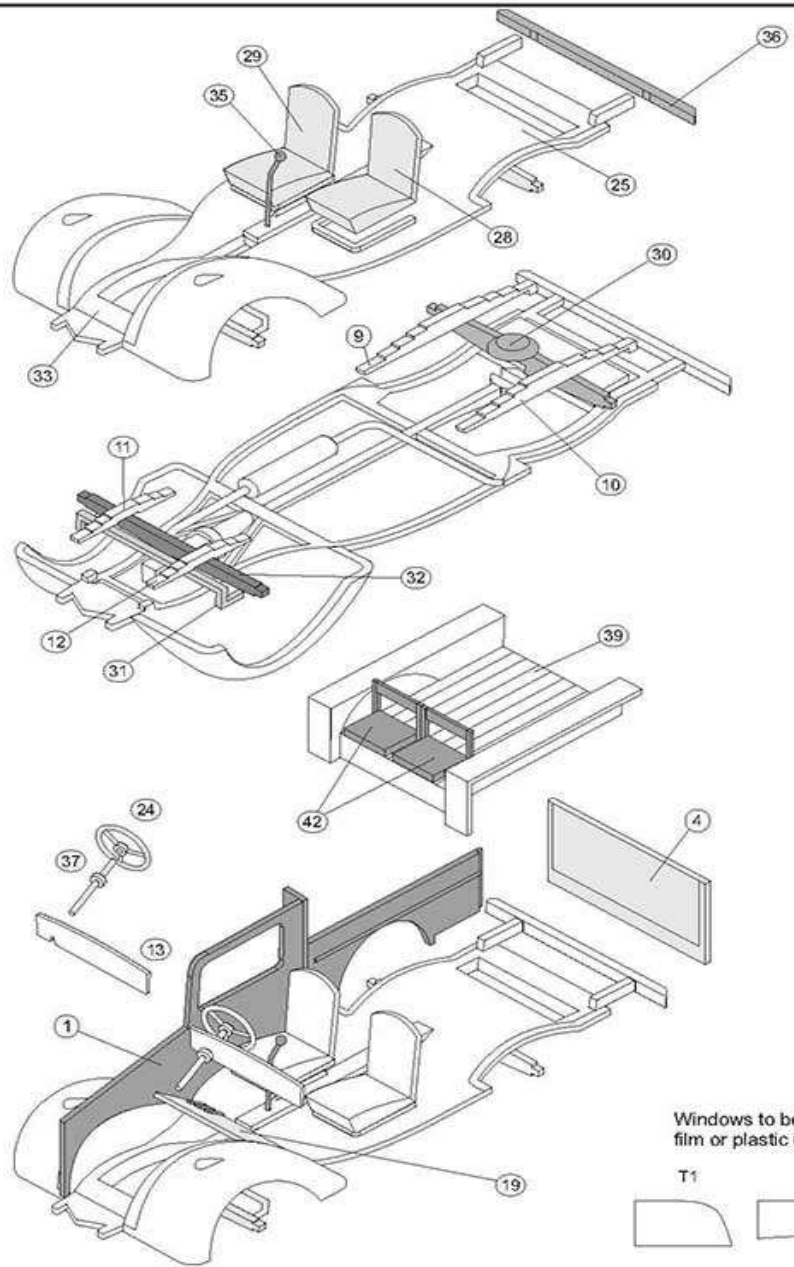
1/72 scale
Plastic model kit.
cat. #72500



Parts



Check for historical photos of this and other vehicles, detailed descriptions of other ACE kits, new products and more at:
<http://www.acemodel.com.ua>



Windows to be made from a clear film or plastic using templates below.

